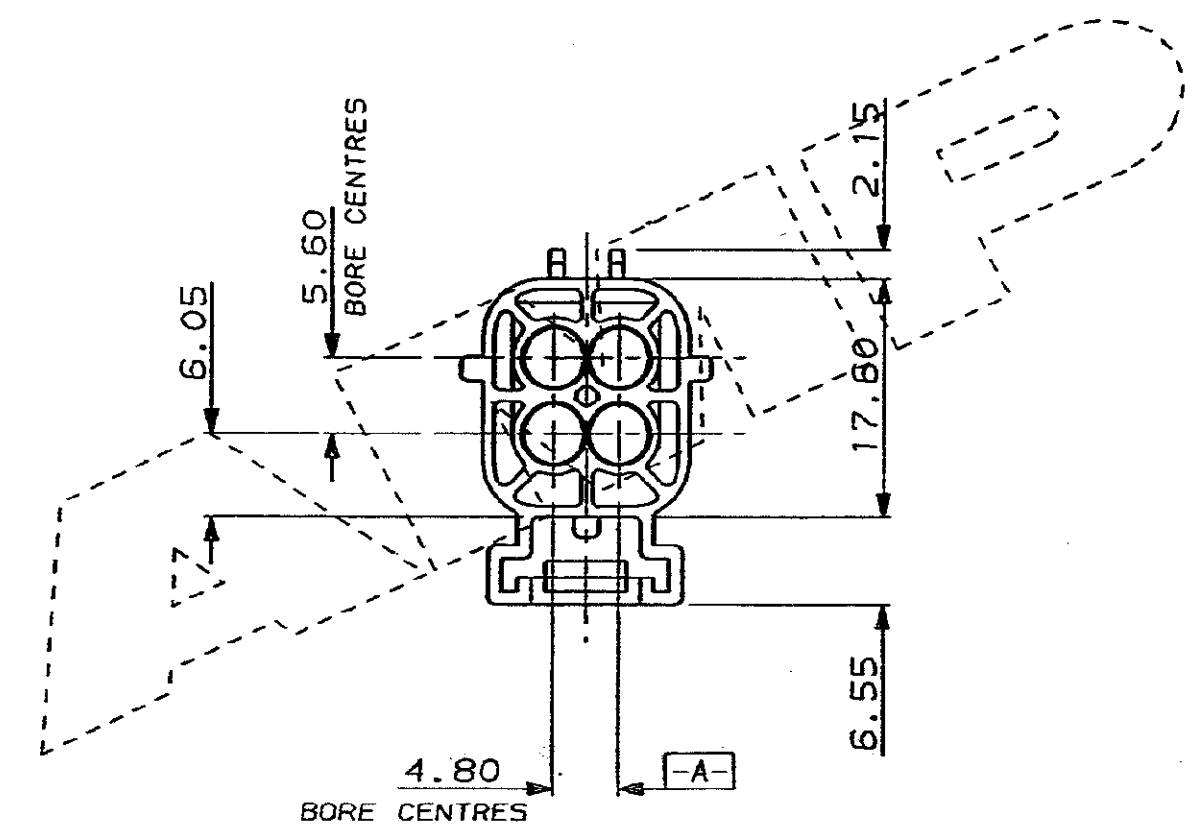
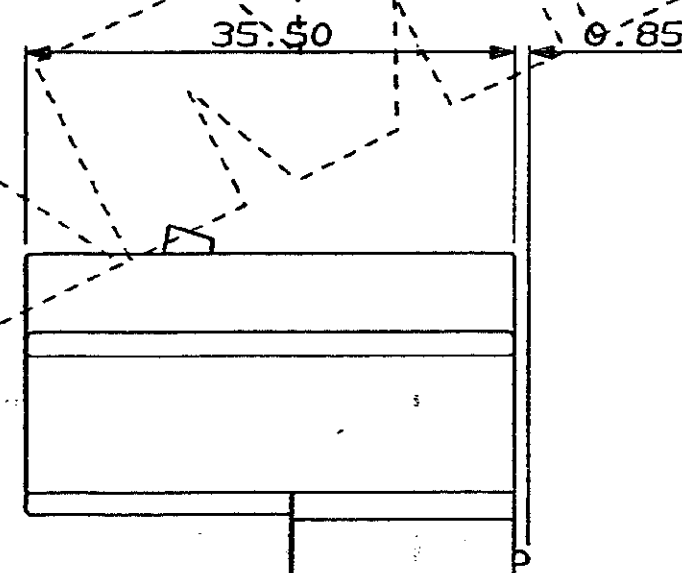
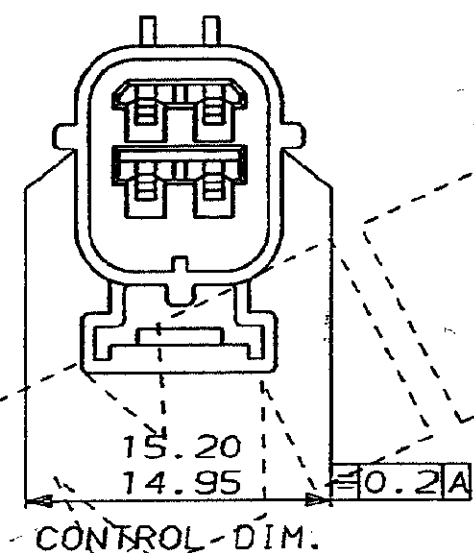


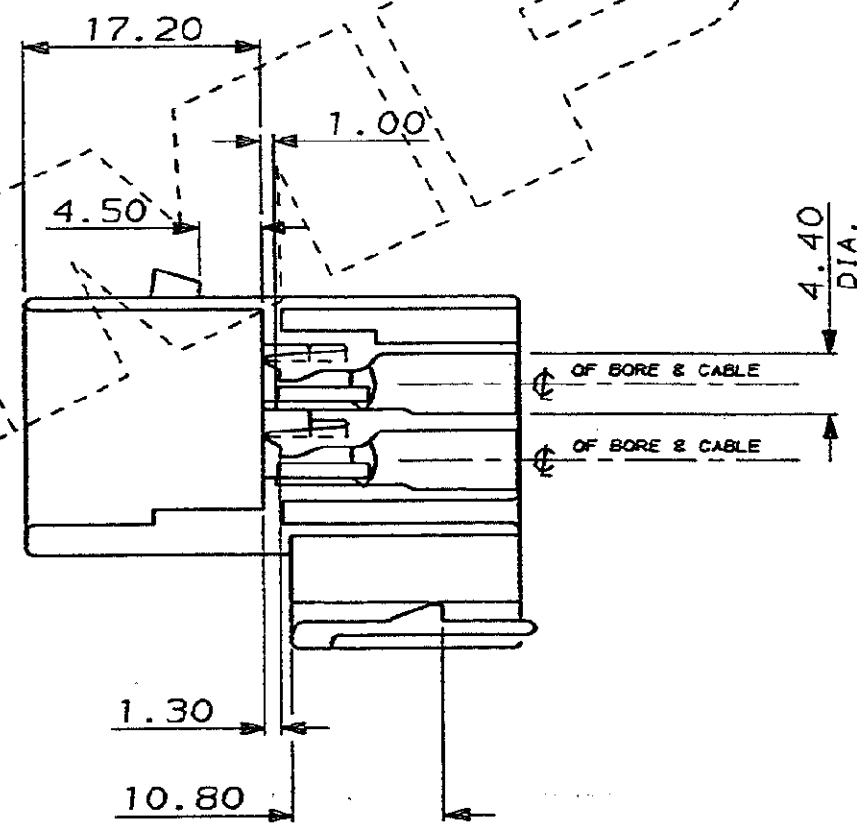
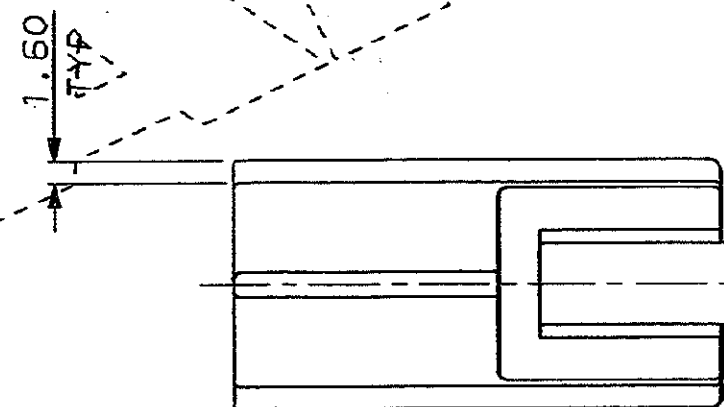
344268

DO NOT SCALE


DIMENSIONS IN MM.



FOR HEADER DETAILS OF THIS PART
SEE CSP 8489 REV. 2.



OBSOLETE

WHITE	NYLON 6.6	344268-4
BLUE	NYLON 6.6	344268-3
RED	NYLON 6.6	344268-2
BLACK	NYLON 6.6	344268-1
FINISH	MATERIAL	PART NUMBER
CUSTOMER DWG FOR REFERENCE ONLY		RELEASED FOR PUBLICATION 03/11/87
TOLERANCES UNLESS OTHERWISE STATED ± DEC ± 0.5 ANGLES ± 1°		DR. I. J. 03 NOV 1987 CH. R. J. S. APP. B. J.
 TE Connectivity		
NAME 4 WAY TAB HOUSING ECONOSEAL 3 LOW CURRENT		
D1 ECR-13-015490	BB 06JAN2014	SCALE LOC SIZE DWG. No. REV SHEET
REV DESCRIPTION	APP DATE	2/1 E A2 C344268 D1 1/1