

pui
audio™ inc
a projects unlimited company

AS04004PO-2-R 40 x 28.5mm Speaker

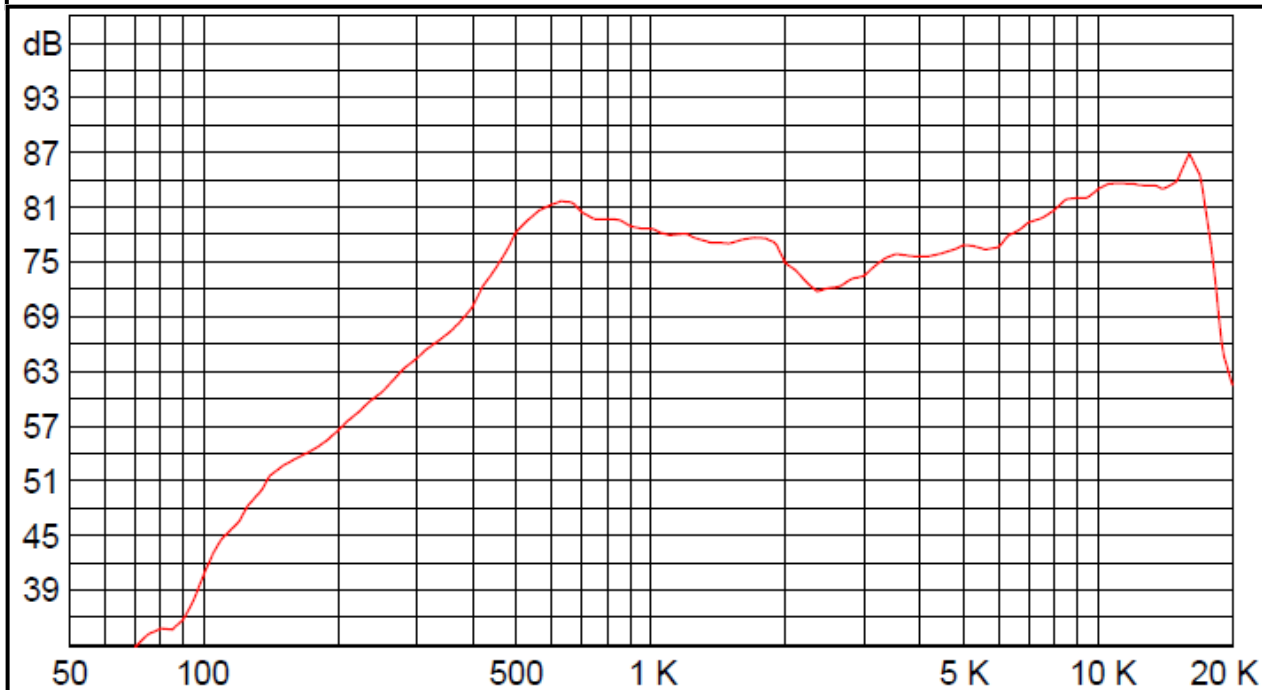


3541 Stop Eight Road • Dayton, Ohio 45414

Product Overview

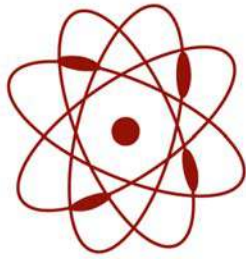
- 40 x 28.5mm oval speaker with Neodymium magnet for 82 dB sensitivity
- 3W continuous, 4W maximum power handling and 4Ω impedance
- Paper cone with cloth surround for durability and natural sound

Frequency Response (1W @ 0.5 meters)



2011-01-01 to 2015-01-01





pui
audio™ inc
a projects unlimited company

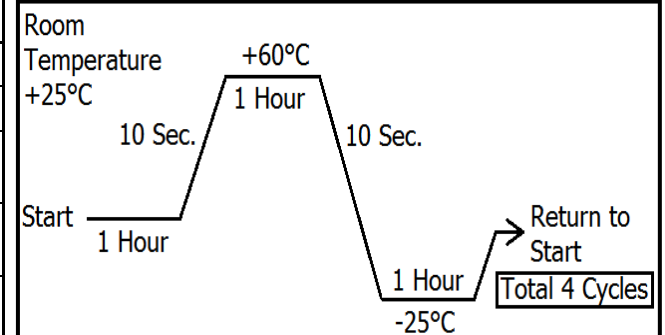
AS04004PO-2-R 40 x 28.5mm Speaker

Mechanical and Environment Testing

Test Description	Test Condition
High Temperature	60°C ± 2°C with random humidity for 96 hours
Low Temperature	-25°C ± 2°C with random humidity for 96 hours
Humidity	40°C with 90% to 95% relative humidity for 96 hours
Vibration	1.5 mm movement modulated at 10 to 55 Hz for 2 hours
Drop Test	75 cm free fall onto concrete floor, 10 cycles
Temperature Cycle Test	-25°C to 60°C, 4 cycles (refer to Temperature Cycle Test Graph)

After tests, speaker shall rest for 1 hours. SPL shall not deviate ± 4 dB from pre-test measurement.

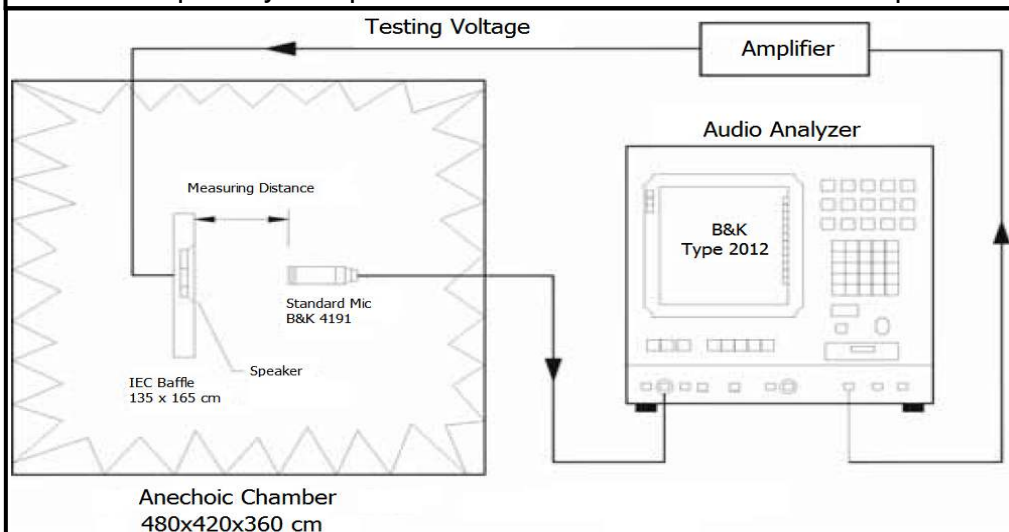
Temperature Cycle Test Graph



Thiele-Small Parameters

Specification	AS04004PO-2-R
Fo (Hz)	466
Qes	4.509
Qms	4.414
Qts	2.231
Vas (mm ³)	19.2k
Sd (mm ²)	599
Mms (g)	0.309
Xmax (mm)	0.6
Re (ohm)	4.26
SPL (dB) @ 1W/ 1m	78.09
BL (T)	0.925

Frequency Response and SPL Measurement Setup



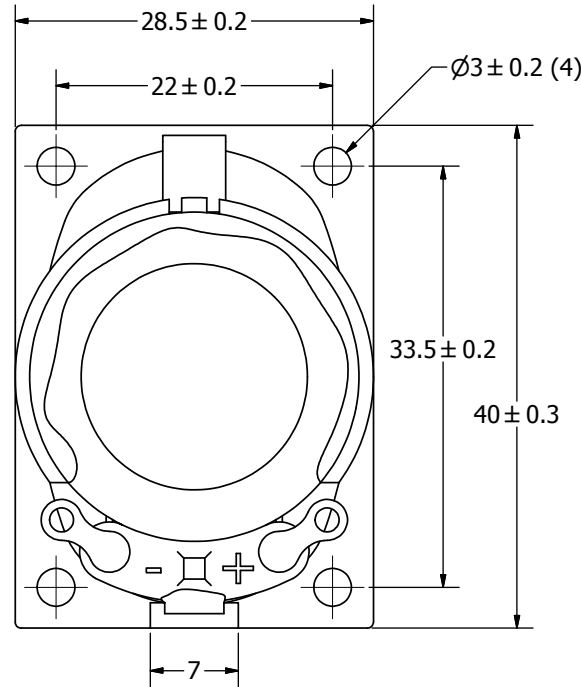
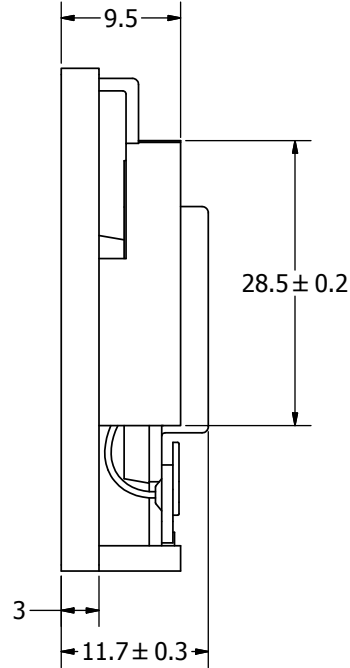
SPECIFICATIONS

PARAMETERS	VALUES	UNITS
RATED INPUT POWER	3	W
MAX INPUT POWER	4	W
IMPEDANCE	4 ± 15%	OHM
OUTPUT SPL @ 1W/0.5M (AT 0.6, 0.8, 1.0, 1.2 kHz)	82 ± 3	dBa
DISTORTION (MAX.)	5%	-
RESONANT FREQUENCY	420 ± 20%	Hz
FREQUENCY RANGE	200 ~ 20,000	Hz
HOUSING MATERIAL	ABS	-
CONE MATERIAL	PAPER	-
MAGNET MATERIAL	RARE EARTH	-
OPERATING TEMPERATURE	-10 ~ +55	°C
WEIGHT	11.9	grams

THIS DOCUMENT CONTAINS DATA PROPRIETARY TO PROJECTS UNLIMITED, INC. ANY USE OR REPRODUCTION, IN ANY FORM, WITHOUT PRIOR WRITTEN PERMISSION OF PROJECTS UNLIMITED, INC. IS PROHIBITED.
©2003, Projects Unlimited Inc.

REVISION HISTORY

LTR	DESCRIPTION	DATE	APPROVED
-	RELEASED FROM ENGINEERING	12/7/2005	
A	REVISED TO INVENTOR 3-D DRAWING TEMPLATE	4/9/2008	B.R.
B	REVISED PART HEIGHT	3/25/2011	M.L.



NOTES:

1. ALL DIMENSIONS ARE IN MILLIMETERS.
2. SPECIFICATIONS SUBJECT TO CHANGE OR WITHDRAWAL WITHOUT NOTICE.
3. THIS PART IS RoHS 2002/95/EC COMPLIANT.

UNLESS OTHERWISE SPECIFIED: DIMENSIONS ARE IN MILLIMETERS, TOLERANCES ARE ±0.5 AND ANGLES ARE ±3°.	SIZE A3	Designed by	Date	Checked by	Date	Approved by	Date	Drawn Date
		J.A.F.	12/6/2005	B.R.	12/7/2005	E.P.	12/7/2005	4/9/2008
		pui audio <small>a projects unlimited company</small>		AS04004PO-2-R			Edition	Sheet
Speaker				-	1 / 1			
AS04004PO-2-R.idw								