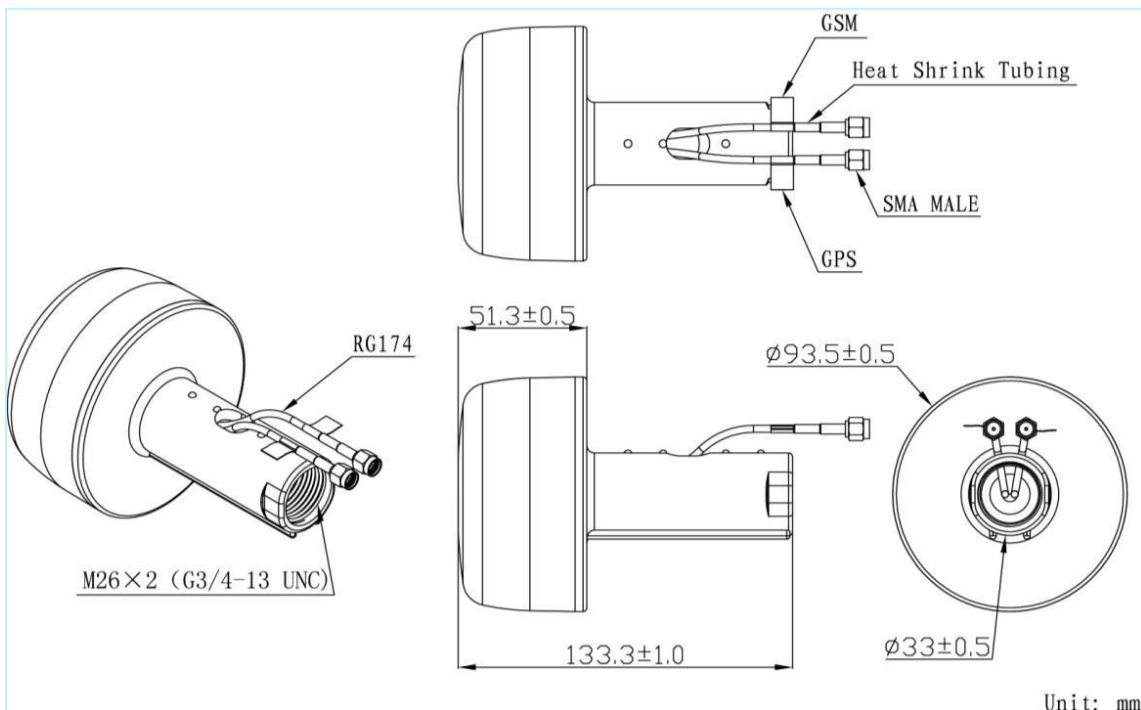


GPS&COMPASS+LTE MIMO Antenna screw mount

AN_GPS_GSM_005LM



Mechanical dimension



GPS&COMPASS+LTE MIMO Antenna screw mount

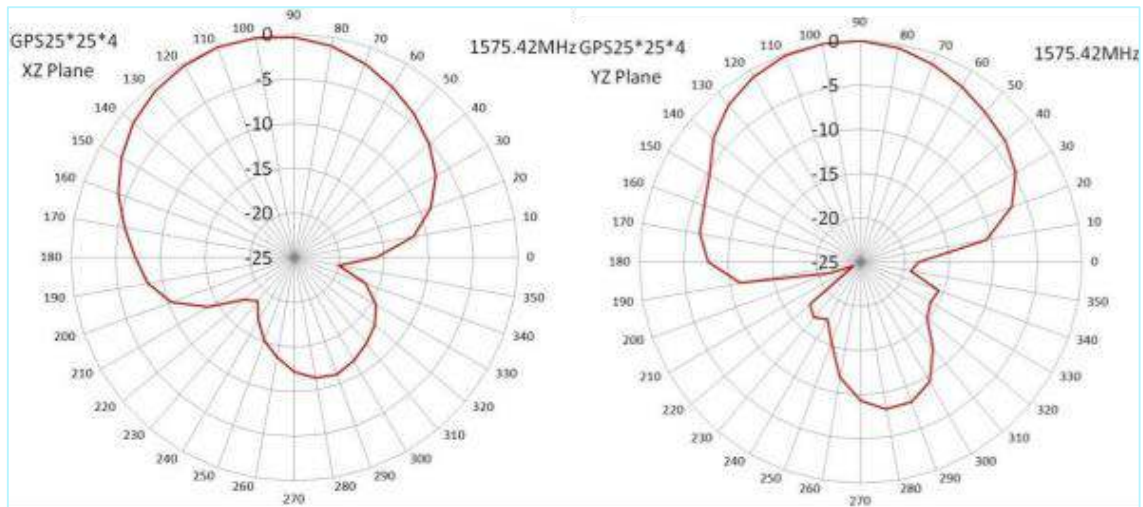
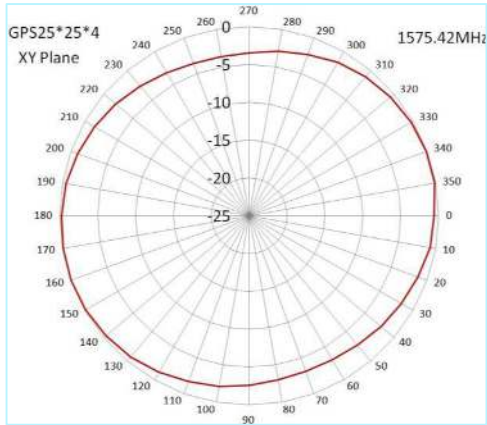
Specifications

Item	Specifications	
GPS Antenna	Frequency Range	1561.09~1575.42MHz
	Polarization	RHCP
	Gain	5dBic (Zenith)
	Impedance	50Ω
	Axial Ratio	3dB (max)
	Gain	28±2dB
	Noise Figure	≤1.5dB
	V.S.W.R	<2.0
	Supply Voltage	2.2~5V DC
	Current Consumption	5~15mA
LTE Antenna MIMO	Frequency Range	698~960MHz/1710~2690MHz
	V.S.W.R	<2.5
	Polarization	Linear
	Gain	3dBi
	Impedance	50Ω
Mechanical	Cable	5 meters
	Connector	SMA male for all the leads
	Radome Material	ABS
	Mounting Method	Screw
Environmental	Operating Temperature	-40℃~+85℃
	Relative Humidity	Up to 95%
	Ingress Protection	IP67 (exclude cable outlet)
	Vibration	10 to 55Hz with 1.5mm amplitude 2hours
	Environmentally Friendly	ROHS Compliant

GPS&COMPASS+LTE MIMO Antenna screw mount

Radiation Patterns

GPS Antenna



GPS&COMPASS+LTE MIMO Antenna screw mount

Radiation Patterns

GSM Antenna

