

MATERIALS AND FINISHES

BODY: BRASS  
 PLATED: SEE TABULATION

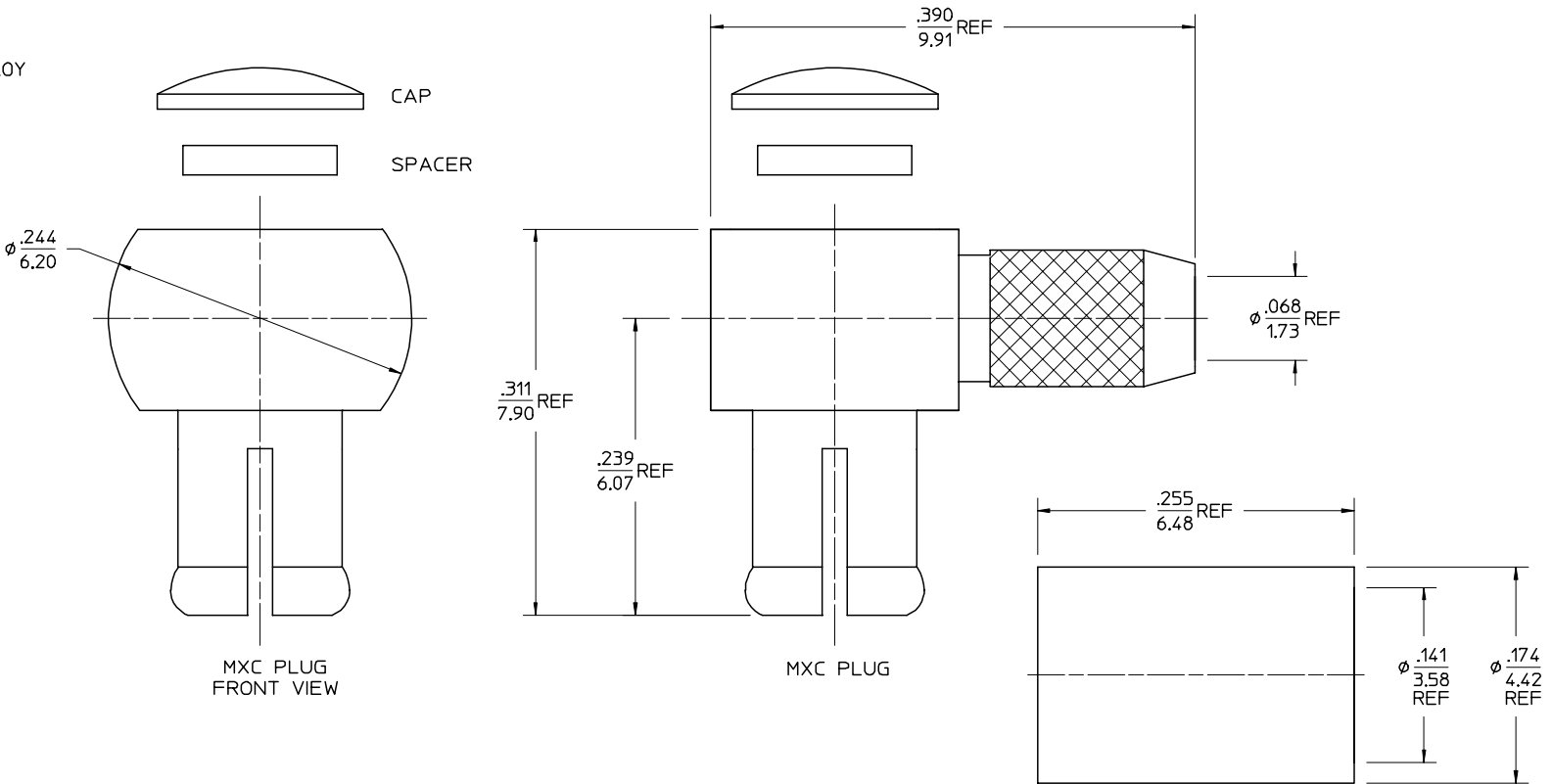
OUTER CONTACT: COPPER ALLOY  
 PLATED: SEE TABULATION

CENTER CONTACT: BRASS  
 PLATED: GOLD

INSULATOR: TEFLON

CAP: BRASS  
 PLATED: SEE TABULATION

CRIMP TUBE: BRASS  
 PLATED: SEE TABULATION



73415-2391	AS89678-2500	ASSEMBLY INSTRUCTIONS	GOLD PLATING (10 MICRO-INCH MIN)
73415-2390	AS89678-2500	ASSEMBLY INSTRUCTIONS	NICKEL PLATING
PART NUMBER	SPECIFICATION	DESCRIPTION	FINISH

CHG: NEW RELEASE	EC NO. URF-0817	CHG: ADDED PART -2391 & TABULATION CHART	EC NO. URF-XXXX	DESCRIPTION
	DRWN: LMB 08/30/00			
A	CHK: SSS 08/30/00	CHK: TEF 08/24/00	CHK: XXX 00/00/00	CHG: XXXXX
2	APPR: GMH 08/30/00		APPR: XXX 00/00/00	

UNLESS OTHERWISE SPECIFIED DIMS ARE INCHES AND ANGLES ARE DEGREES.

- ✓ 63 ALL OVER.
- NO CHATTER OR NON-UNIFORM SURFACE FINISH ALLOWED.
- PARTS TO BE FREE OF BURRS & SHARP EDGES .005 MAX BREAK.
- EXTERNAL THREADS TO BE ROLLED OR SINGLE POINT.
- DIAMETERS TO BE CONCENTRIC WITHIN .003 TIR.

QUALITY SYMBOLS	GENERAL TOLERANCES: (UNLESS SPECIFIED)
MAJOR	mm INCH
CRITICAL	4 PLACES ± .0005
	3 PLACES ± .005
	2 PLACES ± .01
	1 PLACE ± .1
	ANGULAR: ±2°
	DRAFT WHERE APPLICABLE MUST REMAIN WITHIN DIMENSIONS

SCALE	DESIGN UNITS	THIRD ANGLE PROJECTION	DIMENSIONS:	1	A
GMH 7/28/00	mm <input type="checkbox"/> INCH <input checked="" type="checkbox"/>	<input type="checkbox"/> mm <input checked="" type="checkbox"/>	mm INCH mm ONLY	SHT	REV
DRAWN BY & DATE	TITLE:				
GMH 7/28/00	MCX R/A 75 OHM PLUG FOR RD179				
CHECKED BY & DATE	MCX-PC/RA				
XXX 00/00/00					
APPROVED BY & DATE	MOLEX MOLEX INCORPORATED				
XXX 00/00/00					
CAD FILENAME	MATERIAL NO.	DRAWING NO.	SHEET NO.		
	SEE NOTE	SD-73415-239	1 of 1		
THIS DRAWING CONTAINS INFORMATION THAT IS PROPRIETARY TO MOLEX INCORPORATED AND SHOULD NOT BE USED WITHOUT WRITTEN PERMISSION.					
				SIZE	B