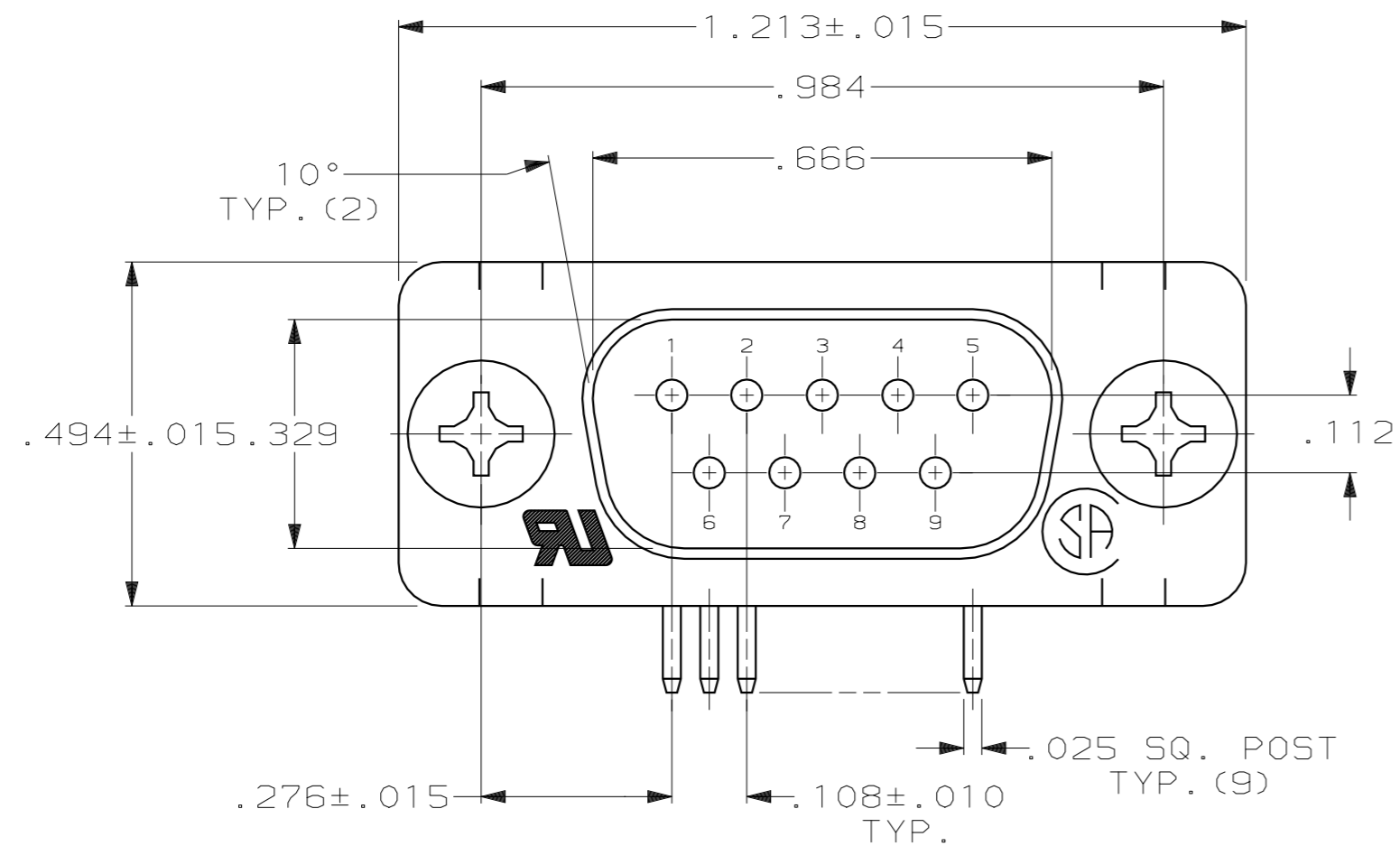
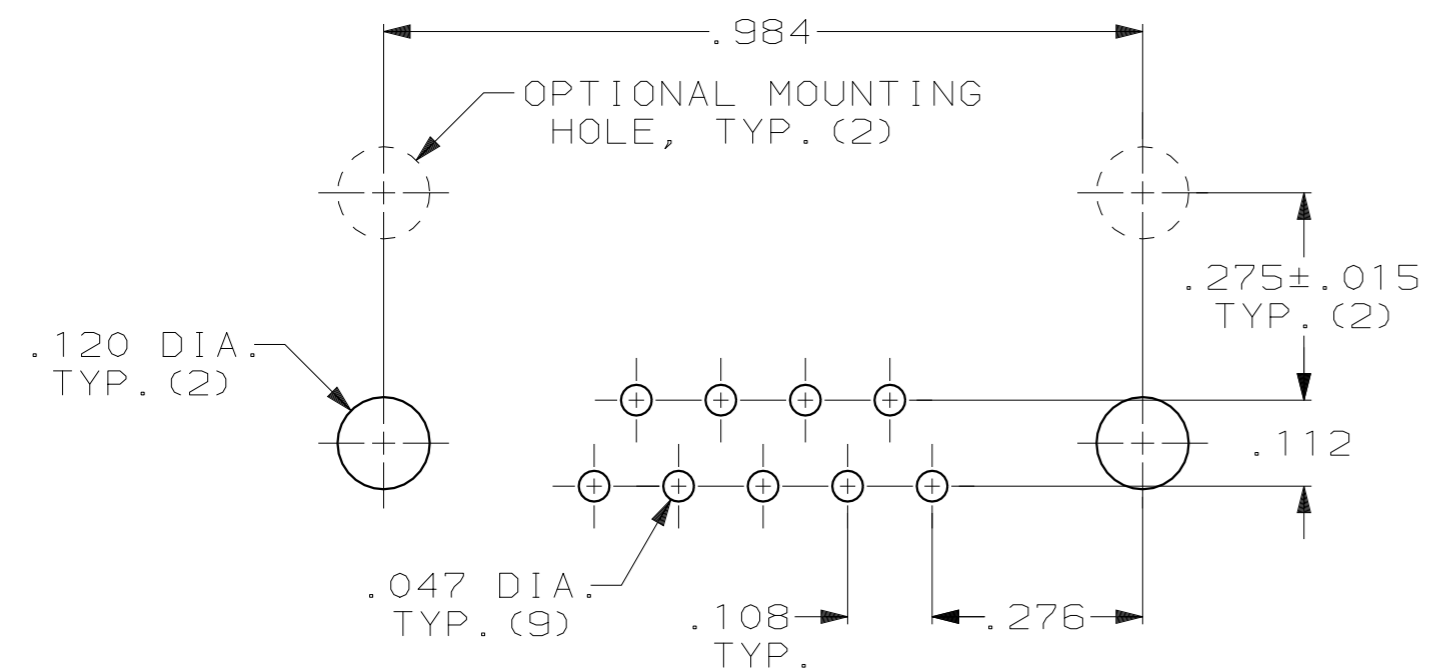
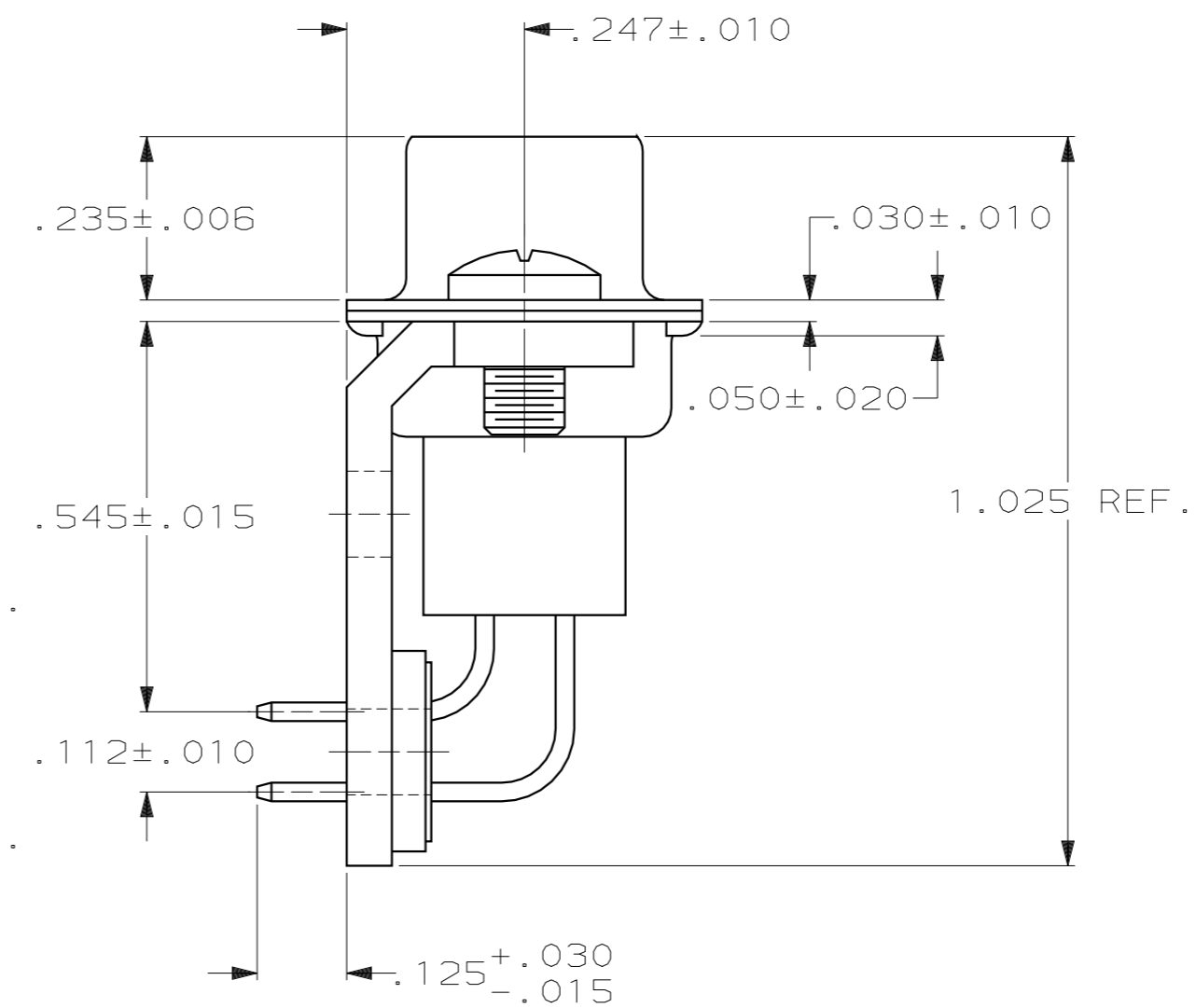
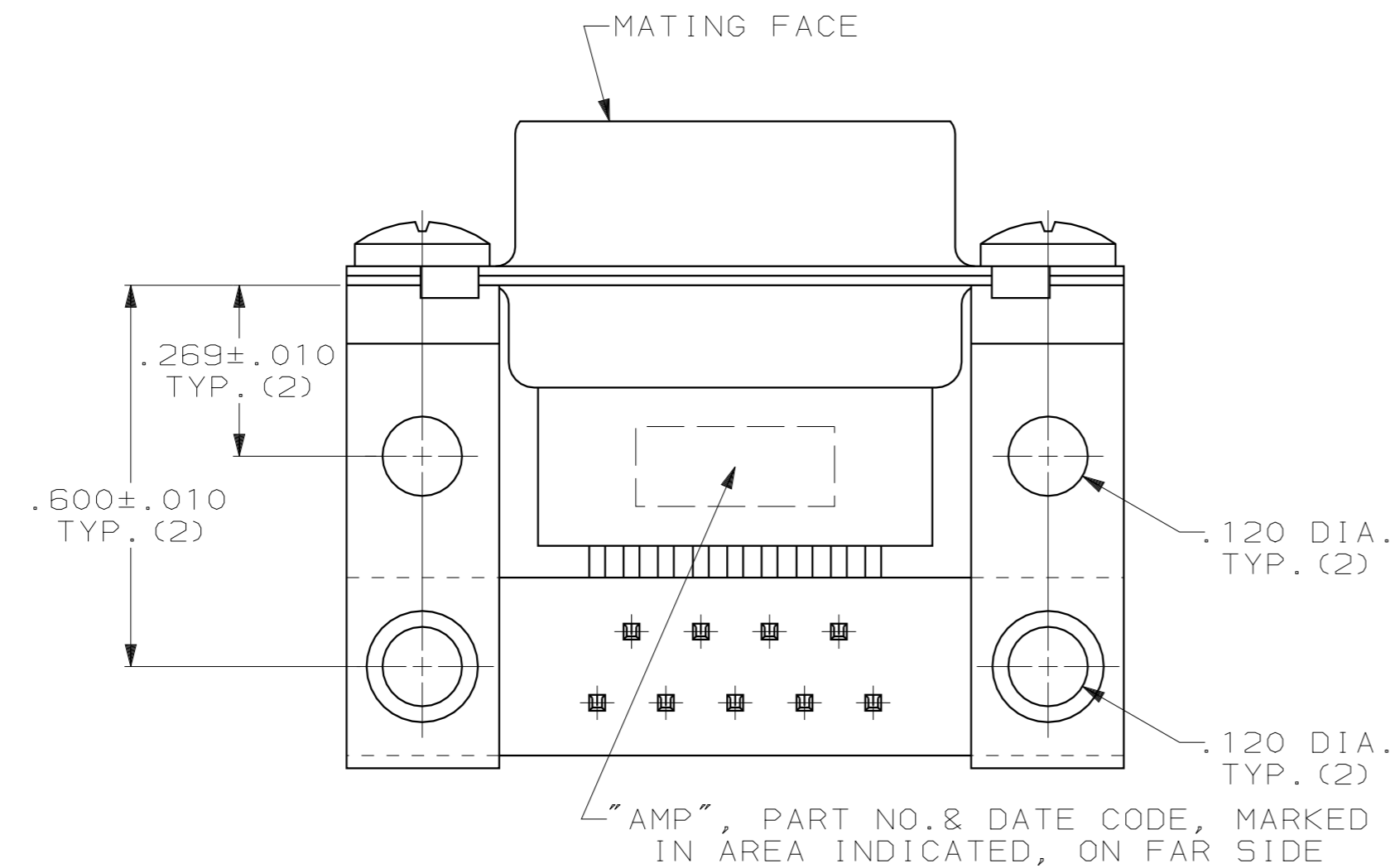


THIS DRAWING IS UNPUBLISHED. RELEASED FOR PUBLICATION
 BY AMP INCORPORATED. ALL RIGHTS RESERVED.

LOC	DIST	REVISIONS			
P	LTR	DESCRIPTION	DATE	DWN	APVD
BD	77	L	REV PER EC 0640-429-98	03 MAR 99	-



- CONNECTOR MATES WITH ANY 9 POS. RECEPTACLE IN AMPLIMITE SERIES & COMPLIES WITH AMP SPEC. 108-40,005 WHERE APPLICABLE.
- FLAME RETARDANT 94V-0 RATED THERMOPLASTIC; COLOR: BLACK.
- STEEL PER ASTM A109.
- BRASS PER MIL-C-50.
- ZINC PLATING PER ASTM B633; TYPE ; CLASS SC1; YELLOW CHROMATE, GOLD PLATING PER MIL-G-45204, NICKEL PLATING PER QQ-N-290.
- ZINC PLATED.
- GOLD PLATED FOR LENGTH OF .150 MIN FROM MATING END, GOLD FLASH IN MATED AREA, .000100 MIN TIN-LEAD ON OPPOSITE END, BOTH OVER .000050 MIN NICKEL.
- GOLD PLATED FOR LENGTH OF .150 MIN FROM MATING END, .000030 MIN GOLD IN MATED AREA, .000100 MIN TIN-LEAD ON OPPOSITE END, BOTH OVER .000050 MIN NICKEL.



P.C. BOARD MOUNTING DIMENSIONS

8	205865-2
7	205865-1
CONTACT FINISH	PART NUMBER

THIS DRAWING IS A CONTROLLED DOCUMENT.		DWN	J. GERACE	12-16-83
DIMENSIONS: INCHES		CHK	J. GERACE	12-16-83
TOLERANCES UNLESS OTHERWISE SPECIFIED:		APVD	P. SWEIGARD	3-15-84
0 PLC	±-	PRODUCT SPEC	NAME	
1 PLC	±-	APPLICATION SPEC	PLUG ASSEMBLY, SIZE 1, 9 POSITION, RIGHT ANGLE, 545 SERIES, .025 SQ POSTS, AMPLIMITE HDP	
2 PLC	±0.13 (.005)	WEIGHT	SIZE	
3 PLC	±-	CUSTOMER DRAWING	CAGE CODE	
4 PLC	±-	SCALE	DRAWING NO	
ANGLES	±2°	SHEET	RESTRICTED TO	
MATERIAL MOLDED PARTS: 2	FINISH SHELL & BRACKETS: 3	SCALE	A2 00779	
SHELLS & BRACKETS: 3	CONTACTS: SEE TABLE	SHEET	205865	
CONTACTS: 4		REV	L	