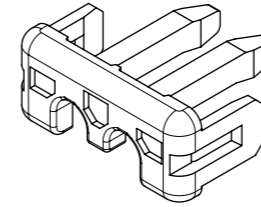
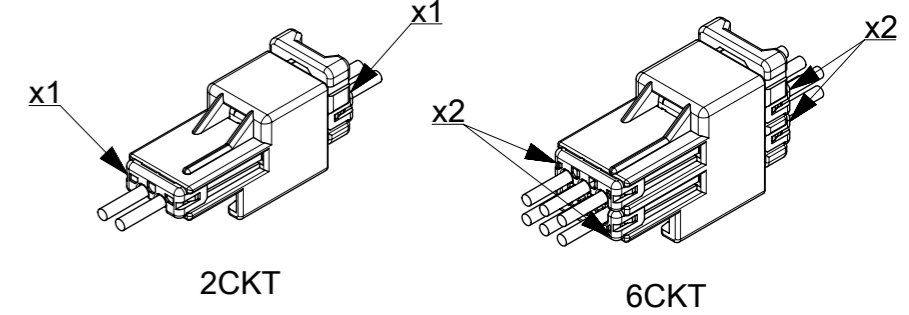


ISO



SINGLE / DUAL



2CKT

6CKT

NOTES

- 適合ハウジング : 2011152*** / 2011162***
APPLICABLE HOUSING : 2011152*** / 2011162***
- 適合ターミナル : 2011155000 / 2011165000
APPLICABLE TERMINAL : 2011155000 / 2011165000
- 材料 : PBT(UL94V-0)
色 : グレー
MATERIAL : PBT(UL94V-0)
COLOR : GRAY
- 製品仕様書 : 2011150000-PS
PRODUCT SPECIFICATION : 2011150000-PS
- コネクタ取扱説明書 : 2011150000-AS
APPLICATION SPECIFICATION : 2011150000-AS

19.8	25.2	2011172070	14極用
16.5	21.9	2011172060	12極用
13.2	18.6	2011172050	10極用
9.9	15.3	2011172040	4,8極用
6.6	12.0	2011172030	3,6極用
3.3	10.4	2011172020	2極用
B	A	ORDER NO.	CKT.FOR

THIS DRAWING CONTAINS INFORMATION THAT IS PROPRIETARY TO MOLEX ELECTRONIC TECHNOLOGIES, LLC AND SHOULD NOT BE USED WITHOUT WRITTEN PERMISSION

EC NO: 169293 DRWN: JEBISAWA CHK'D: HIJIMA APPR: TOSADA	2017/09/27 2018/01/11 2018/01/12	GENERAL TOLERANCES (UNLESS SPECIFIED) ANGULAR TOL ± 3.0 °	DIMENSION UNITS: mm SCALE: NTS					
	4 PLACES ± 0.03 3 PLACES ± 0.05 2 PLACES ± 0.1 1 PLACE ± 0.2 0 PLACES ± 0.2	DRWN BY: JEBISAWA DATE: 2017/09/27	CHK'D BY: HIJIMA DATE: 2018/01/11					3.3 WW CONN. RETAINER
	DRAFT WHERE APPLICABLE MUST REMAIN WITHIN DIMENSIONS	APPR BY: TOSADA DATE: 2018/01/12	DRAWING SIZE: A3 THIRD ANGLE PROJECTION	PRODUCT CUSTOMER DRAWING				
								SERIES: 201117 MATERIAL NUMBER: SEE CHART CUSTOMER: GENERAL