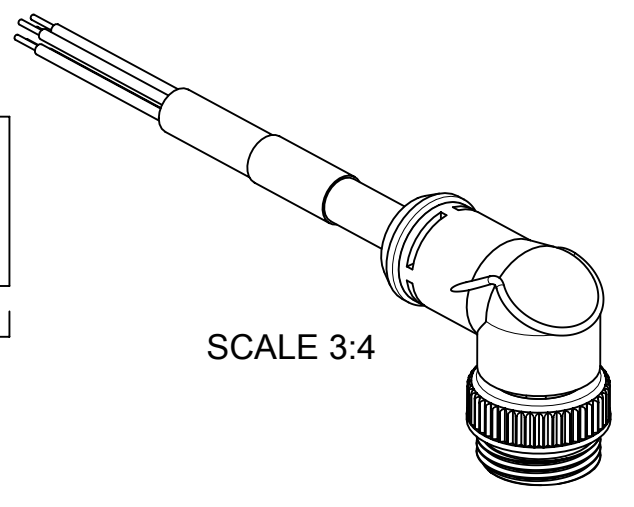
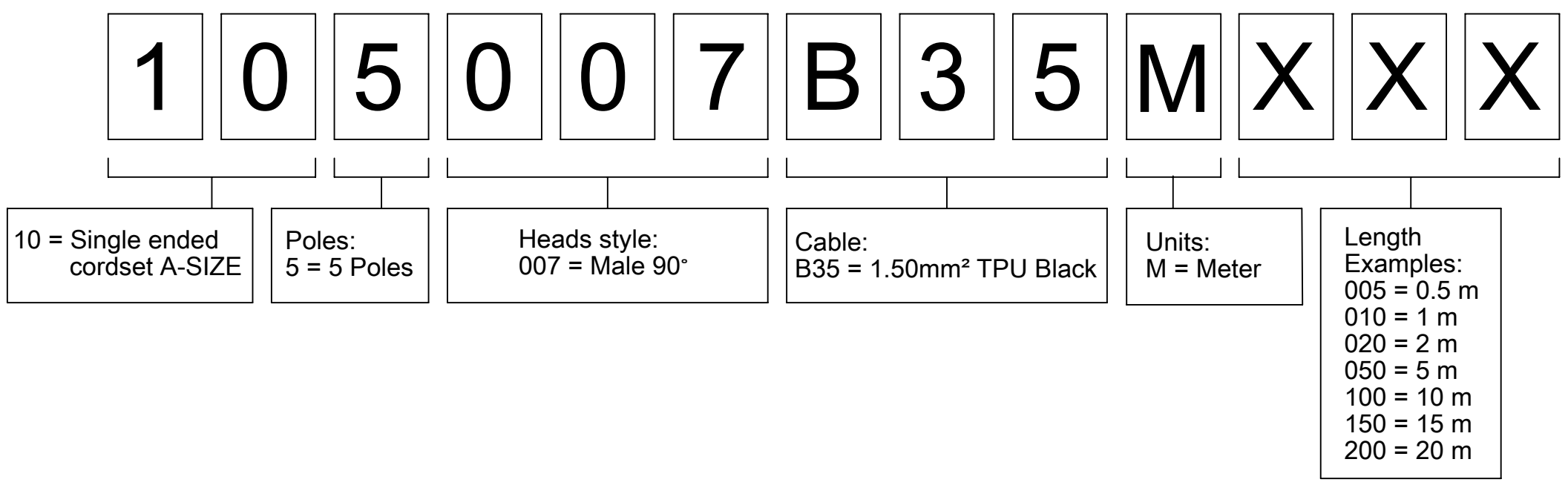


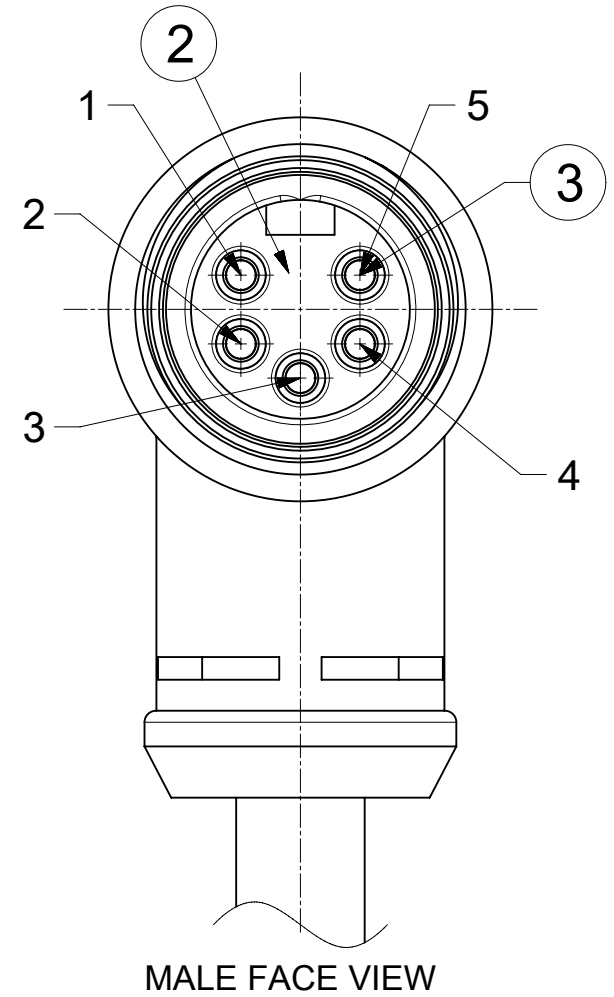
MATERIAL NO.	ENGINEERING NO.	FINISHED LENGTH
1300068277	105007B35M010	1 M (3 FT 3.37 IN)
1300068169	105007B35M020	2 M (6 FT 6.74 IN)
1300068170	105007B35M050	5 M (16 FT 4.85 IN)
1300068171	105007B35M100	10 M (32 FT 9.7 IN)
1300068172	105007B35M200	20 M (65 FT 4.7 IN)
1300068173	105007B35M300	30 M (98 FT 5.1 IN)

PART NUMBER MATRIX



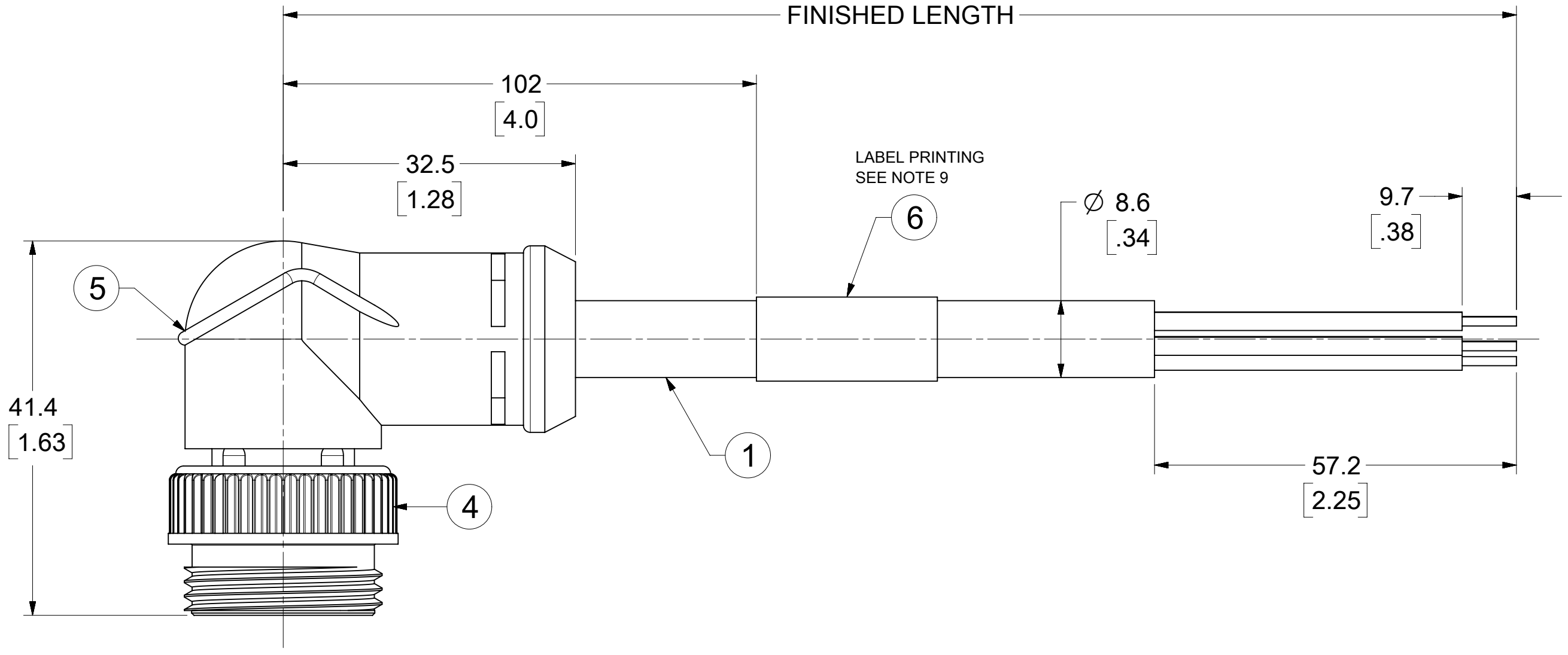
WIRING DIAGRAM

1	BLACK
2	BLUE
3	GREEN/YELLOW
4	BROWN
5	WHITE



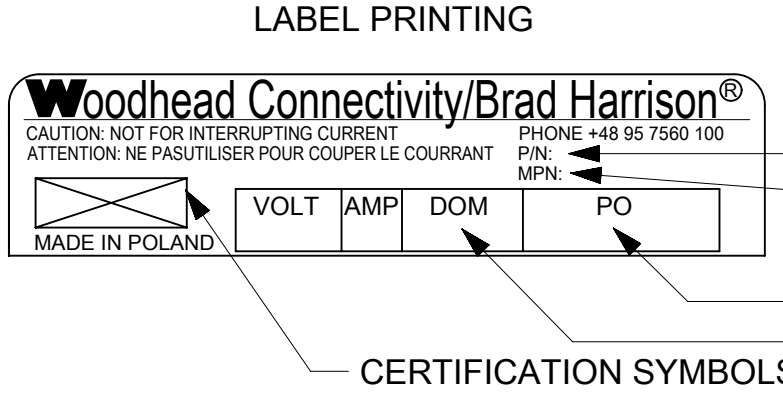
NOTES:

- MATERIAL: AS NOTED
- FINISH: AS NOTED
- ELECTRICAL:
VOLTAGE RATING: 600 V
CURRENT RATING: 10 A
- TEMPERATURE RATING:
STATIC: -40 °C TO 90 °C
DYNAMIC: -25 °C TO 80 °C
- PROTECTION: IP67 (WHEN MATED)
- UL CERTIFICATION: UL LISTED, FILE NO. E152210
- COUPLING THREAD: 7/8"-16UN
- ALL DIMS ARE FOR REFERENCE UNLESS TOLERANCED OR NOTED OTHERWISE
- LABEL PRINTING ACC. STANDARD LABEL INSTRUCTION



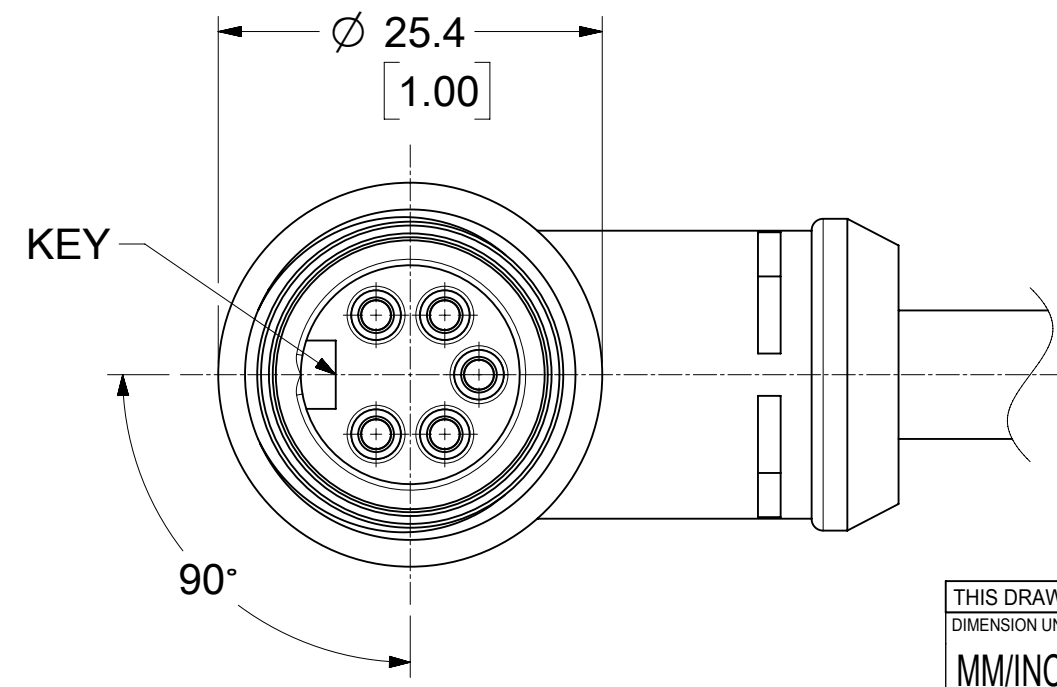
CABLE LENGTH TOLERANCES

<.3M [1FT]:	+19mm-0 [+.75in-0]
.3 - .9M [1 - 3FT]:	+44.5mm-0 [+1.75in-0]
.9 - 1.8M [3 - 6FT]:	+55.6mm-0 [+2.19in-0]
1.8 - 3.7M [6 - 12FT]:	+88.9mm-0 [+3.50in-0]
3.7 - 7.3M [12 - 24FT]:	+165.1mm-0 [+6.50in-0]
7.3-14.6M [24 - 48FT]:	+317.5mm-0 [+12.50in-0]
14.6 - 30.5M [48-100FT]:	+622.3mm-0 [+24.50in-0]
OVER 30M [100FT]	+2% OF FINISHED LENGTH



ENGINEERING NO.
MOLEX PN

PO NO.
PRODUCT. DATE



THIS DRAWING CONTAINS INFORMATION THAT IS PROPRIETARY TO MOLEX ELECTRONIC TECHNOLOGIES, LLC AND SHOULD NOT BE USED WITHOUT WRITTEN PERMISSION									
DIMENSION UNITS		SCALE		CURRENT REV DESC: NOTES UPDATED, LABEL PRINTING ADDED					
MM/INCH		2:1							
GENERAL TOLERANCES (UNLESS SPECIFIED)				EC NO: 747270					
4 PLACES		±		DRWN: RSCHIEBER		2023/04/18			
3 PLACES		±		CHK'D: RSILLER		2023/04/27			
2 PLACES		±		APPR: RSILLER		2023/04/27			
1 PLACE		±		INITIAL REVISION:					
0 PLACES		±		DRWN: RSTONE		2019/08/20			
ANGULAR TOL		± °		APPR: BWOODMAN		2019/08/28			
DRAFT WHERE APPLICABLE MUST REMAIN WITHIN DIMENSIONS				THIRD ANGLE PROJECTION		DRAWING		SERIES	
				C-SIZE		130006			
DOCUMENT NUMBER			DOC TYPE			DOC PART			REVISION
1300068169			PSD			000			B2
MATERIAL NUMBER		CUSTOMER		SHEET NUMBER					
SEE TABLE		GENERAL MARKET		1 OF 1					

BILL OF MATERIAL

ITEM	DESCRIPTION	MATERIAL	FINISH
6	LABEL	VINYL	BLACK/YELLOW
5	OVERMOLD	TPE	BLACK
4	COUPLING NUT	ZINC DIE CAST	BLACK E-COAT
3	PIN CONTACT	Cu ALLOY	GOLD OVER NICKEL
2	MALE INSERT	TPE	BLACK
1	#16-5 CABLE, WELD SLAG RESISTANT	TPU JACKET	GREY
	ITEM DESCRIPTION	MATERIAL	FINISH

DOCUMENT STATUS	P1	RELEASE DATE	2023/04/27	12:11:35
-----------------	----	--------------	------------	----------