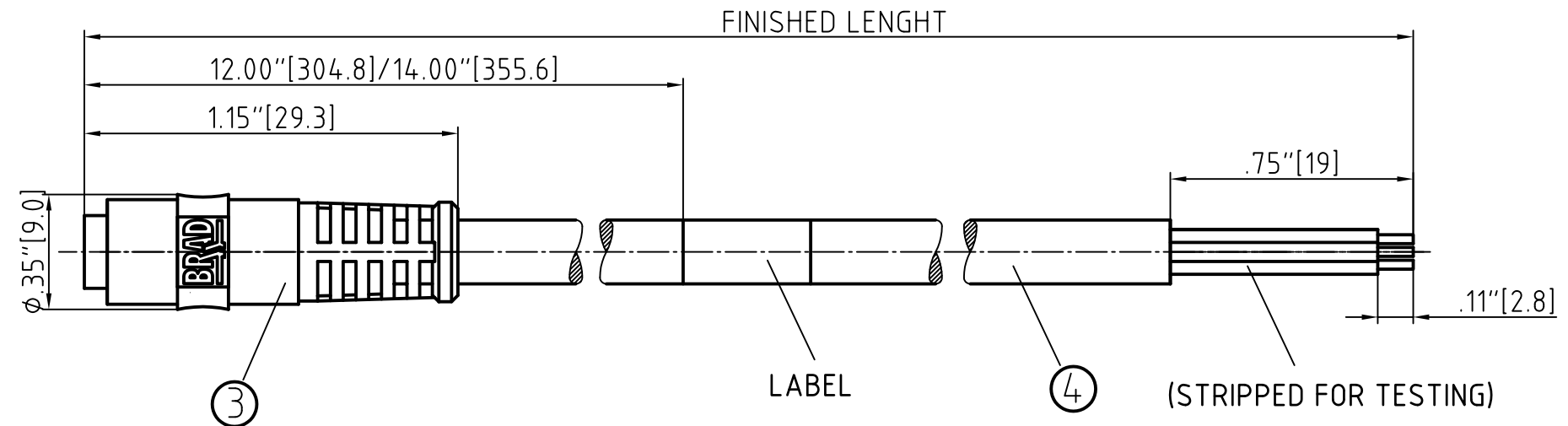
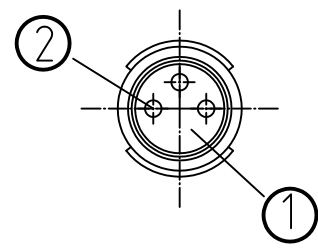


FACE VIEW



FEMALE FACE VIEW	
3-POLE	4-POLE
1 BROWN 3 BLUE 4 BLACK	1 BROWN 2 WHITE 3 BLUE 4 BLACK

POLE	MATERIAL NUMBER	ENGINEERING NUMBER	FINISHED LENGTH IN/MM
3	1200290012	503000P03M020	6.56' +3.50" -0 [2.0M +88.9 -0]
3	1200885006	503000P03M050	16.40' +6.50" -0 [5.0M +165.1 -0]

CONNECTOR SPECIFICATION:	
VOLTAGE RATING	3-4POL:60V/AC 75V/DC
AMPERAGE RATING	3 AMPS
PROTECTION	IP65
OPERATING TEMPERATURE	-30°C TO +80°C (STATIC)
UL CERTIFICATIONS	UL listed, File #E152210
CSA CERTIFICATIONS	CSA CERTIFIED, File LR6837

ITEM	COMPONENT	MATERIAL	FINISH
1	INSERT	POLYURETHANE (PUR)	BLACK
2	CONTACT SOCKET	COPPER ALLOY	GOLD OVER NICKEL
3	OVERMOLD	PVC	YELLOW
4	CABLE 0.25mm ² (24AWG) (COPPER STRANDING) 3/5 CONDUCT. 300V	JACKET: PUR	BLACK

DESCRIPTION EC NO: WEU2010-0305 DRWN: REISSNER 2010/01/27 CHKD: FP APPR: NSTAUDIG 2010/02/01	QUALITY SYMBOLS ▽ = 0 ▽/C = 0	GENERAL TOLERANCES (UNLESS SPECIFIED) mm INCH 4 PLACES ±--- ±--- 3 PLACES ±--- ±--- 2 PLACES ±--- ±.01 1 PLACE ±0.3 ±--- ANGULAR ± --- °	DIMENSION STYLE IN/MM DRAWN BY DATE REISSNER 2010/01/27 CHECKED BY DATE FP 2010/01/27 APPROVED BY DATE NSTAUDIG 2010/02/01	SCALE 2:1 DESIGN UNITS METRIC THIRD ANGLE PROJECTION
	DRAFT WHERE APPLICABLE MUST REMAIN WITHIN DIMENSIONS		SEE TABLE	NC 3/4P FE STR SNAP 24AWG PUR ----
	SIZE A3		THIS DRAWING CONTAINS INFORMATION THAT IS PROPRIETARY TO MOLEX INCORPORATED AND SHOULD NOT BE USED WITHOUT WRITTEN PERMISSION	
	MOLEX INCORPORATED DOCUMENT NO. SD-120088-008 SHEET NO. 1			