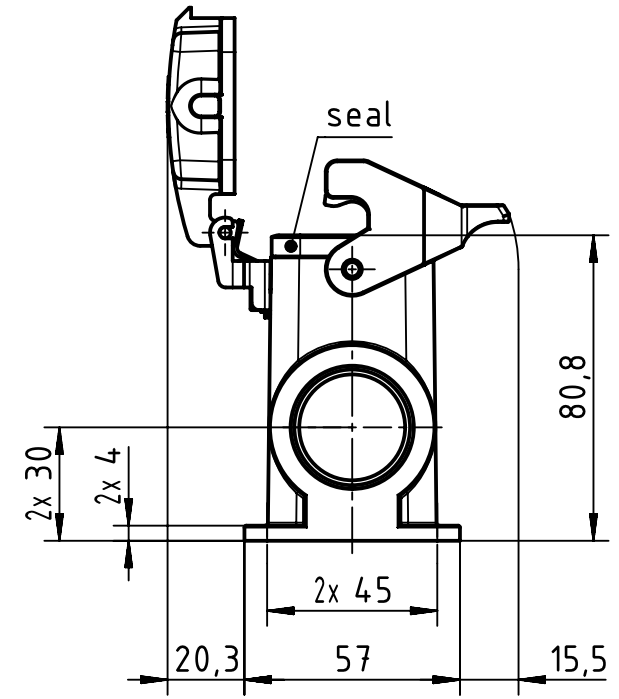
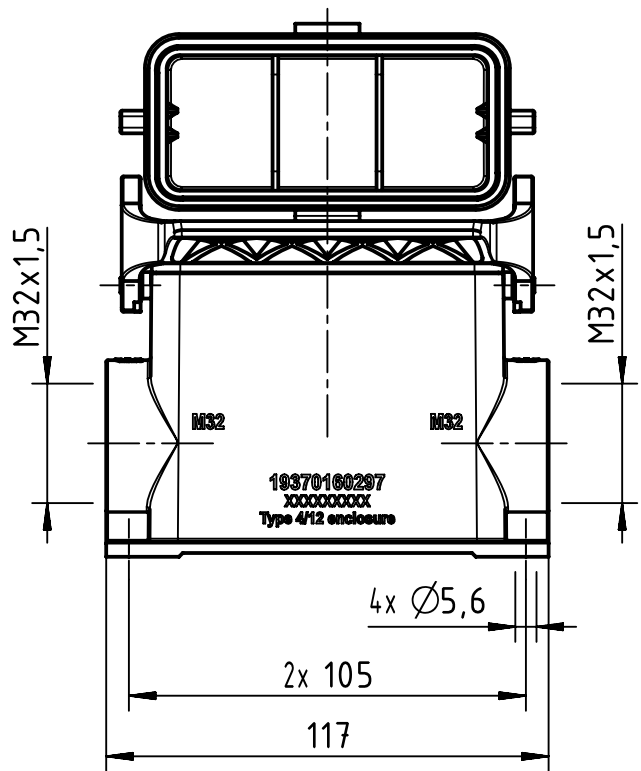
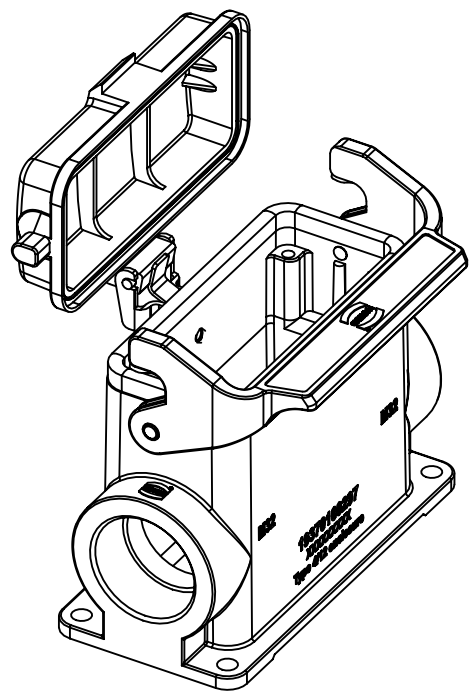


1 2 3 4 5 6

A
B
C
D



	All Dimensions in mm Original Size DIN A4		Scale 1:2	Free size tol.		Ref.	
						Sub.	
	All rights reserved		Created by 100887	Inspected by GERB	Standardisation	Date 2021-08-30	State Final Release
	Department EL PD		Title Han 16M-asg2-LB-K-M32				Doc-Key / ECM-Nr. 100212003/UGD/004/D 500000198777
HARTING D-32339 Espelkamp		Type TB	Number 19 37 016 0297			Rev. D	Page 1/1