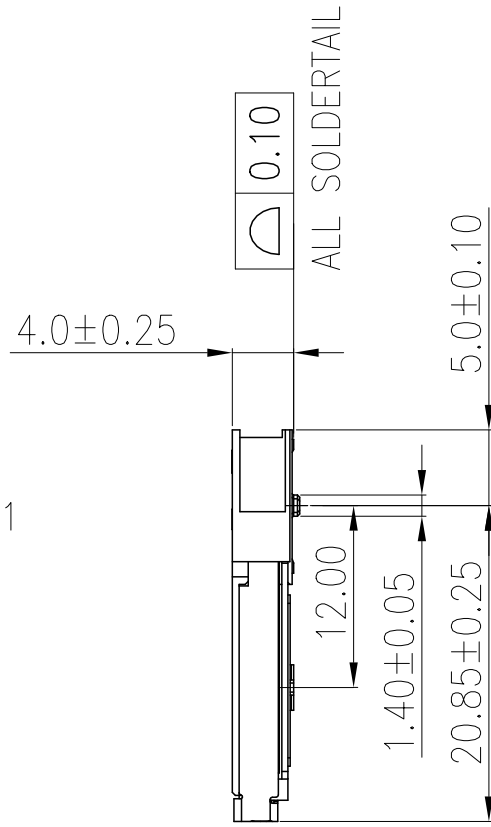
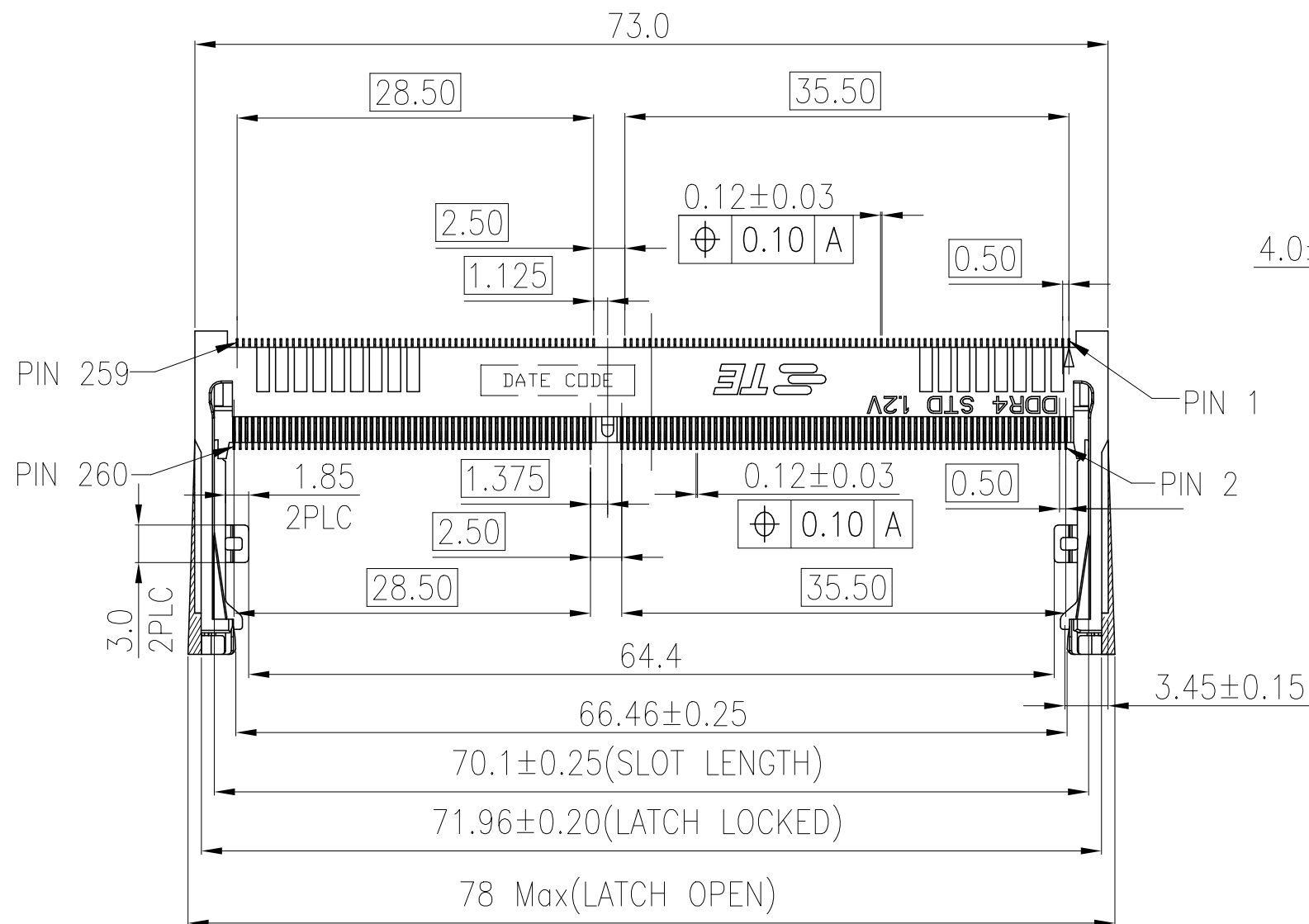
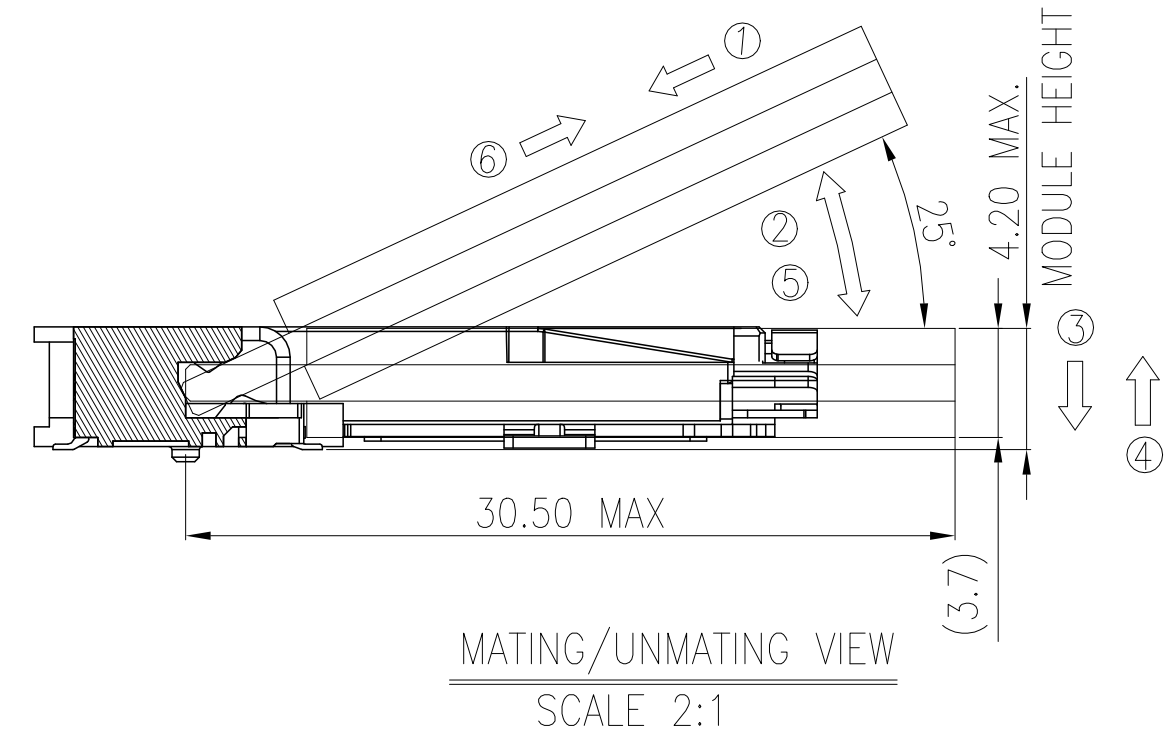
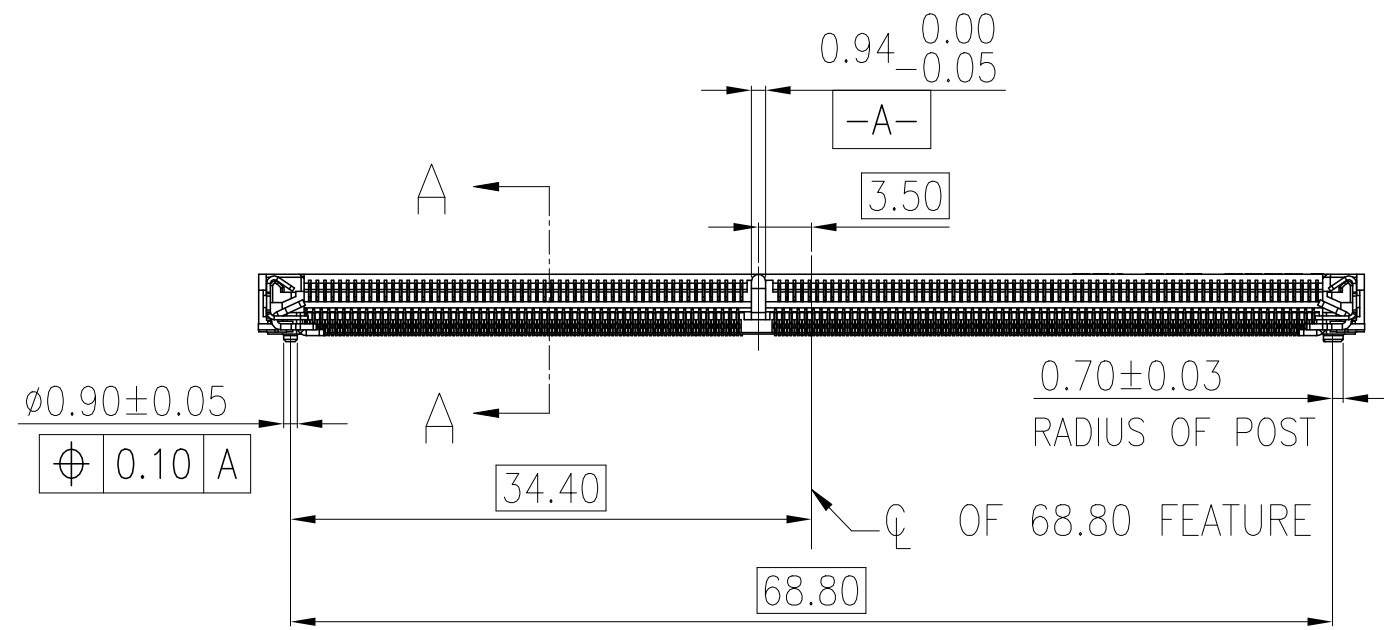


REVISIONS					
P	LTR	DESCRIPTION	DATE	DWN	APVD
4		GAP DIM CHANGE TO 0.74+/-0.08 FROM 0.80	16NOV2020	SS	DZ

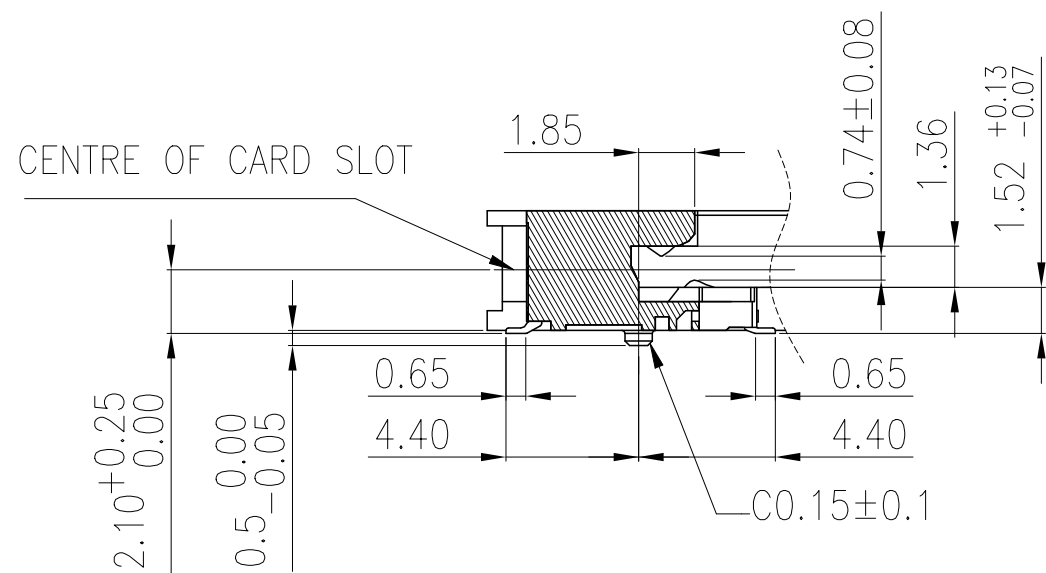


NOTES:

- MATERIAL:
 - HOUSING: HIGH TEMPERATURE THERMO PLASTIC, UL94V-0, COLOR: BLACK.
 - CONTACT: COPPER ALLOY.
 - SOLDER PEG AND LATCH: STAINLESS STEEL.
- FINISH:
 - SOLDER PEG: GOLD FLASH ON 50u" MIN NICKEL UNDERPLATED ALL OVER.
 - CONTACT SOLDER AREA: GOLD FLASH ON SOLDER TAIL.
 - CONTACT AREA: GOLD FLASH ON 50u" MIN NICKEL UNDERPLATED ALL OVER.
 - CONTACT AREA: 5u" ON 50u" MIN NICKEL UNDERPLATED ALL OVER.
 - CONTACT AREA: 10u" ON 50u" MIN NICKEL UNDERPLATED ALL OVER.
 - CONTACT AREA: 15u" ON 50u" MIN NICKEL UNDERPLATED ALL OVER.
 - CONTACT AREA: 30u" ON 50u" MIN NICKEL UNDERPLATED ALL OVER.
- COPLANARITY: 0.10 MAX. (BEFORE SOLDERING)



MATING: ① INSERTING(25°) → ② ROTATING → ③ FIXED
 UNMATING: ④ UNFIXED → ⑤ ROTATING → ⑥ WITHDRAWING

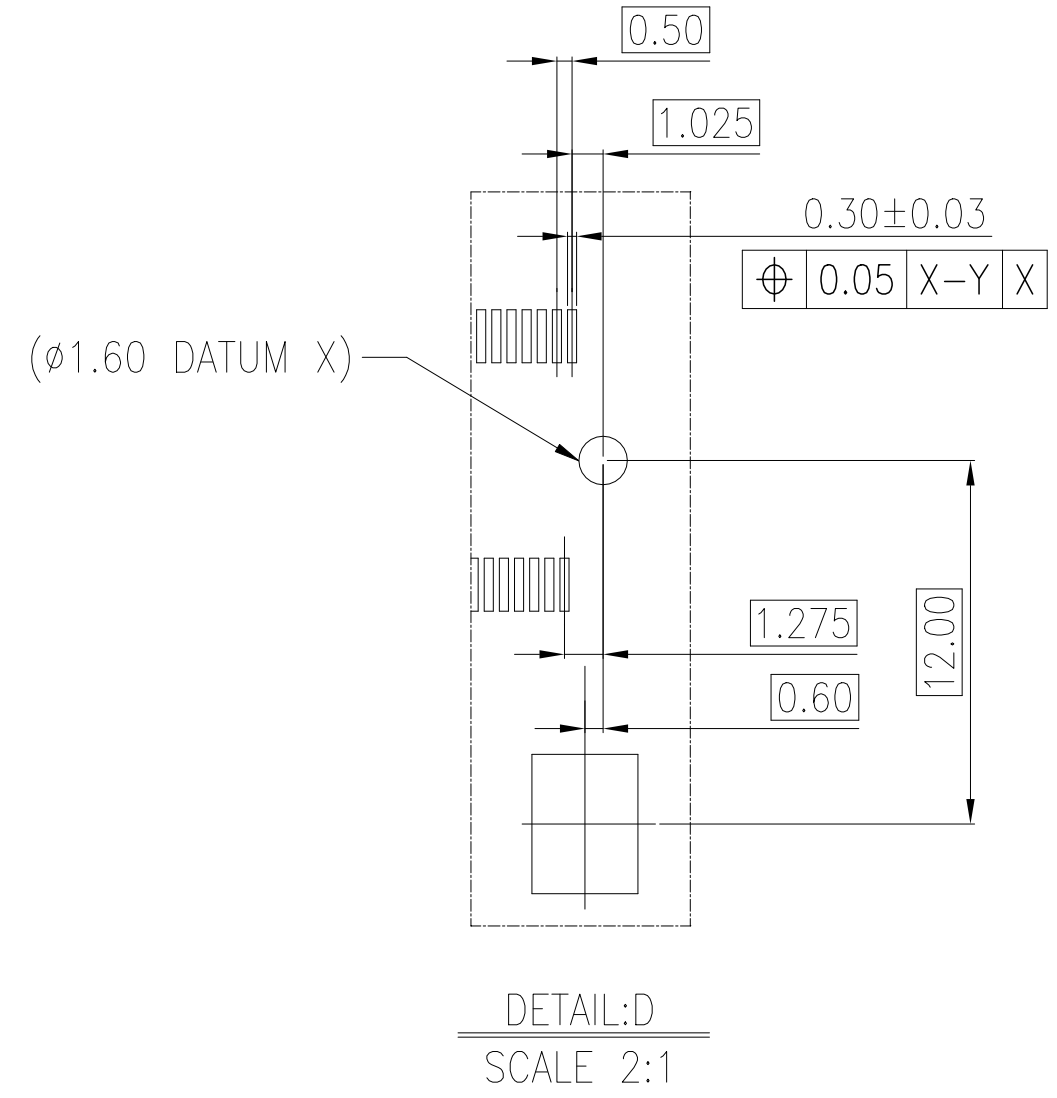
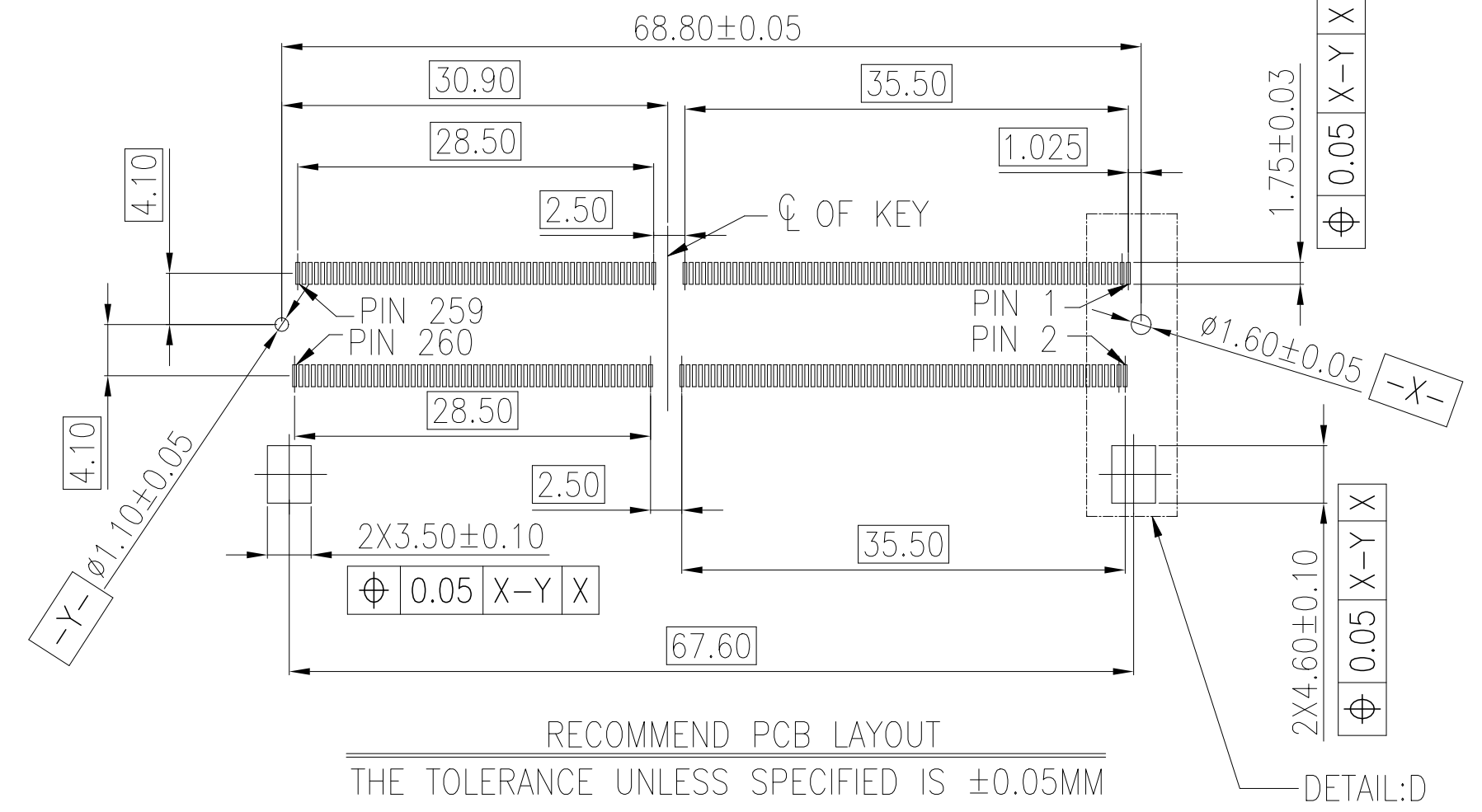
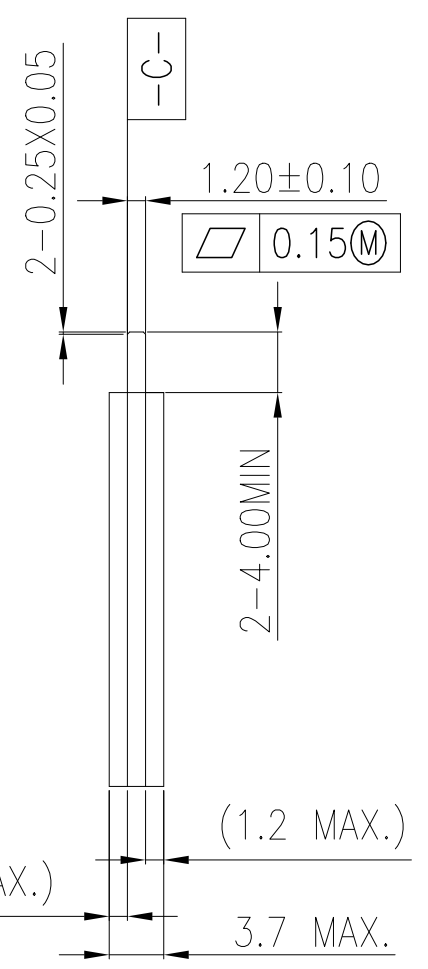
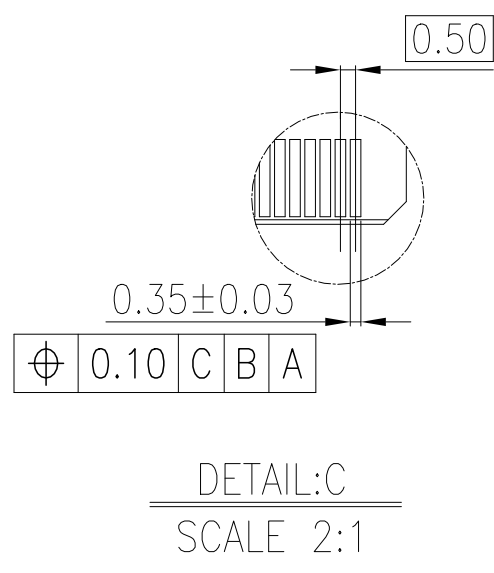
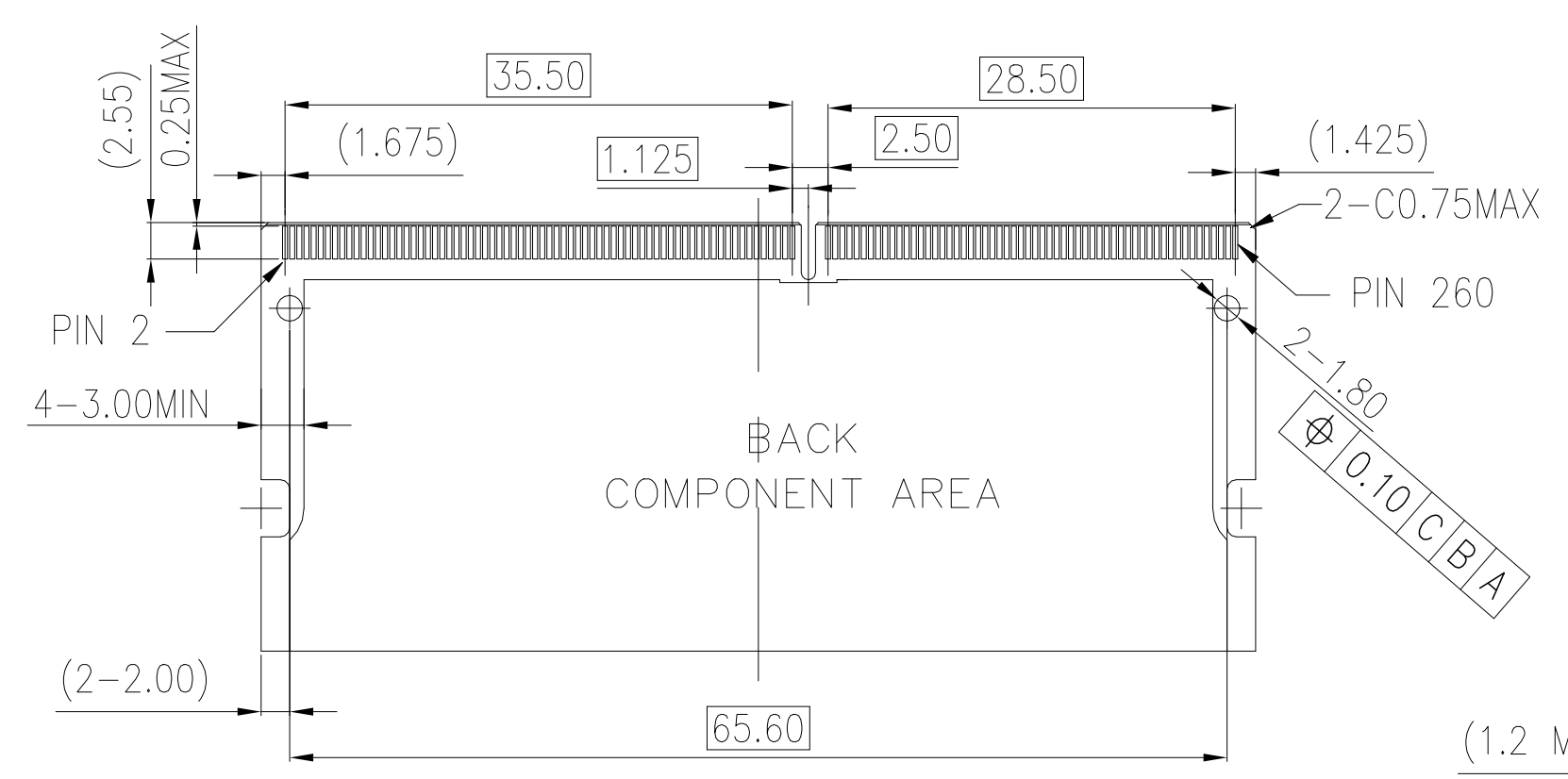
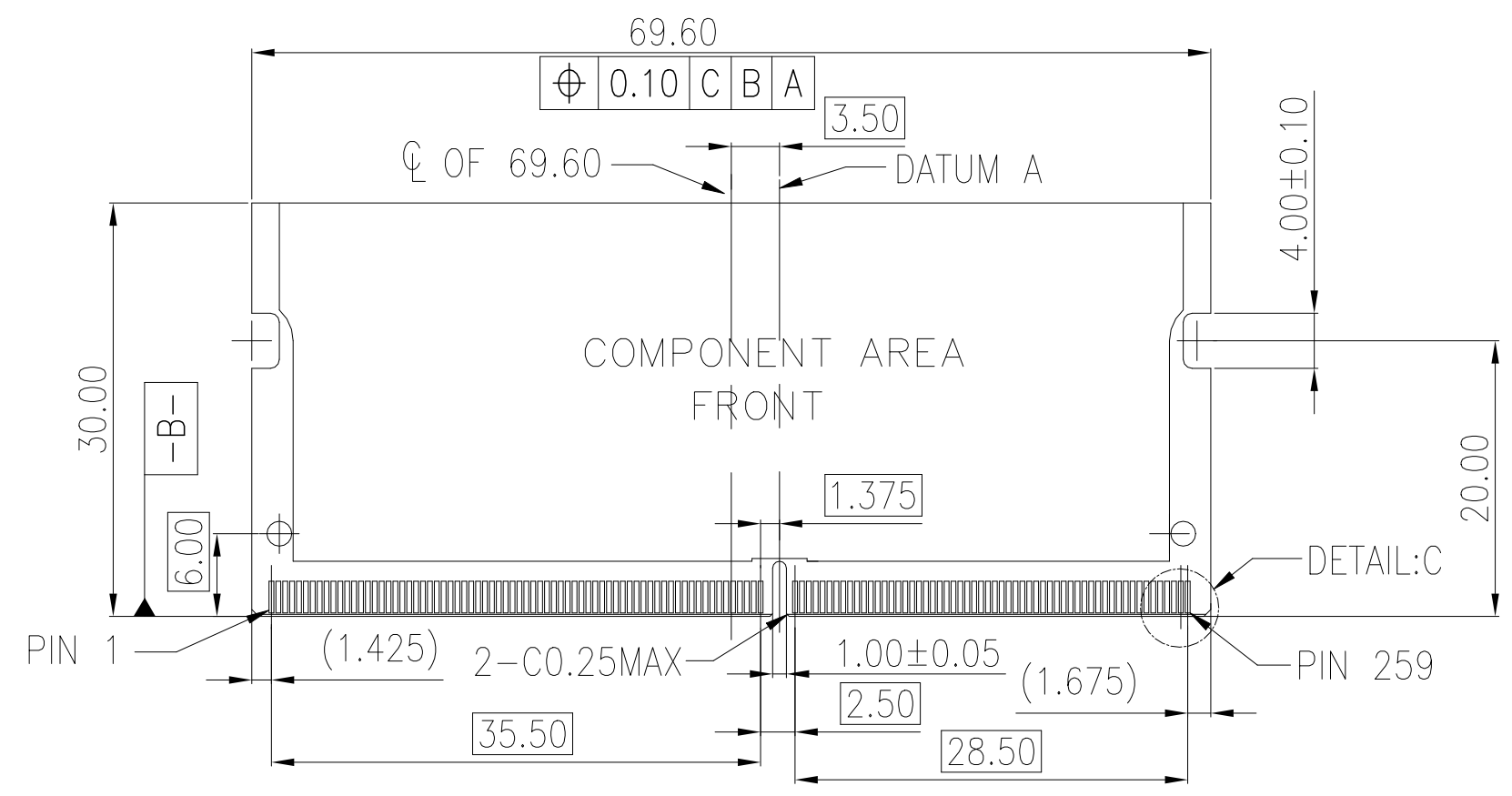


SECTION:A-A
SCALE 2:1

TAPE&REEL	BLACK	1.2V	30u"	260	2309407-5
TAPE&REEL	BLACK	1.2V	15u"	260	2309407-4
TAPE&REEL	BLACK	1.2V	10u"	260	2309407-3
TAPE&REEL	BLACK	1.2V	5u"	260	2309407-2
TAPE&REEL	BLACK	1.2V	GF	260	2309407-1
PACKING TYPE	HOUSING COLOR	POWER SUPPLY	FINISH	POS	PART NO.

THIS DRAWING IS A CONTROLLED DOCUMENT.		DWN DAVID ZHAO 09SEP2016			
DIMENSIONS: mm		CHK RICHARD MA 09SEP2016			
TOLERANCES UNLESS OTHERWISE SPECIFIED:		APVD SIMON LI 05SEP2016			
0 PLC ± - 1 PLC ± 0.25 2 PLC ± 0.15 3 PLC ± 0.10 4 PLC ± - ANGLES ± - FINISH		NAME			
MATERIAL		PRODUCT SPEC 108-115122	DDR4 SODIMM SOCKET		
		APPLICATION SPEC	0.5mm PITCH 260POS		
		WEIGHT 3.1g	4.0mm HEIGHT STANDARD TYPE		
		CUSTOMER DRAWING	SIZE A2	CAGE CODE 00779	DRAWING NO C=2309407
			RESTRICTED TO	SCALE 1:1	SHEET 1 of 3
				REV 4	

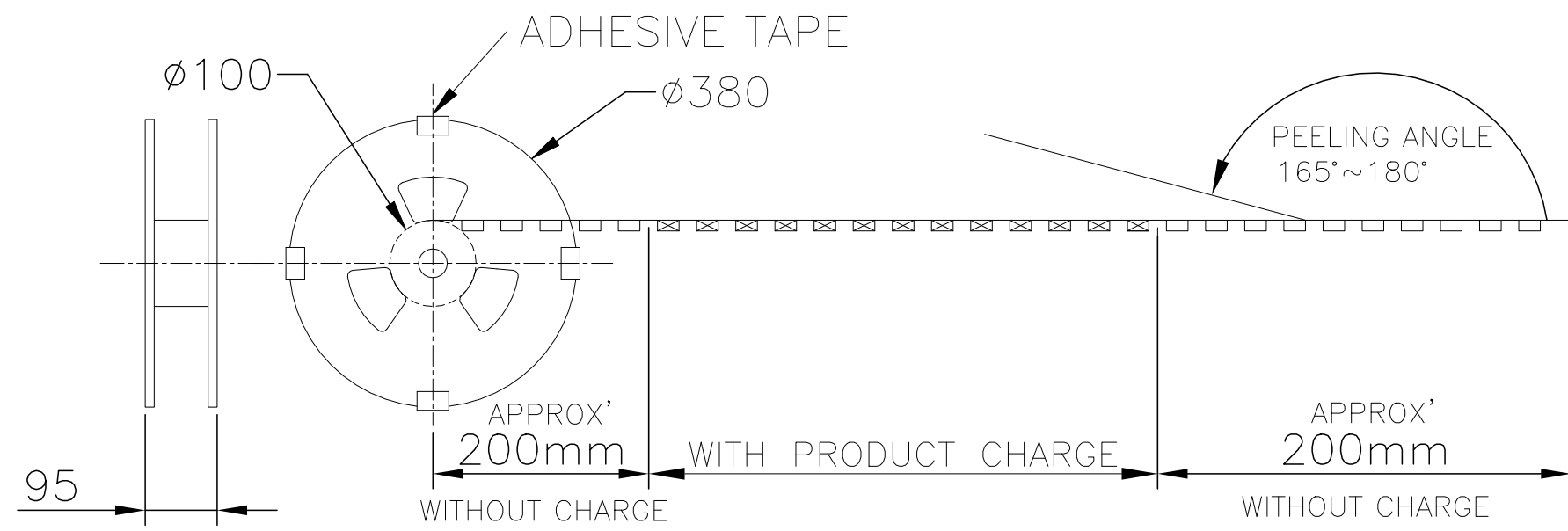
REVISIONS					
P	LTR	DESCRIPTION	DATE	OWN	APVD
-	-		-	-	-



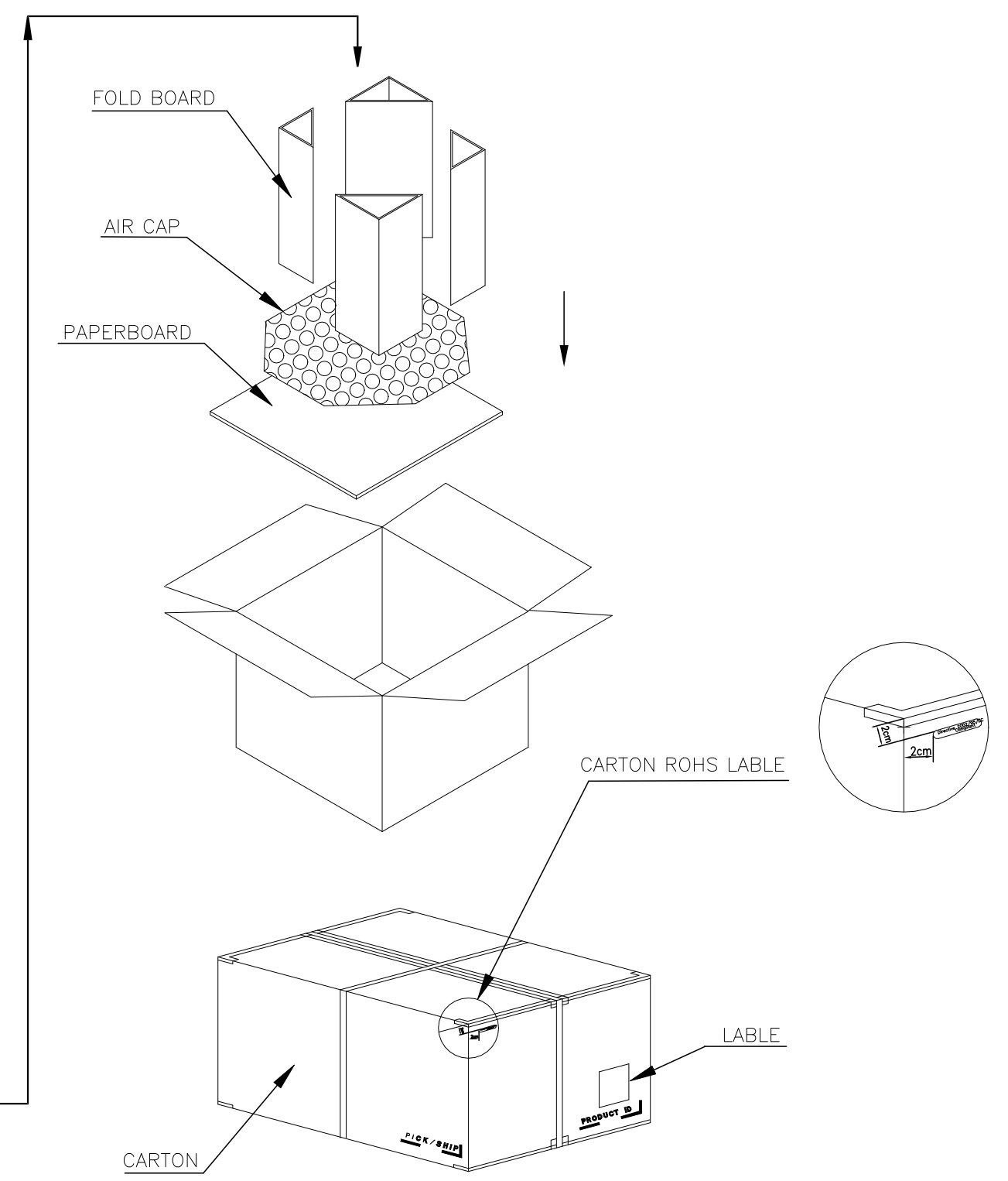
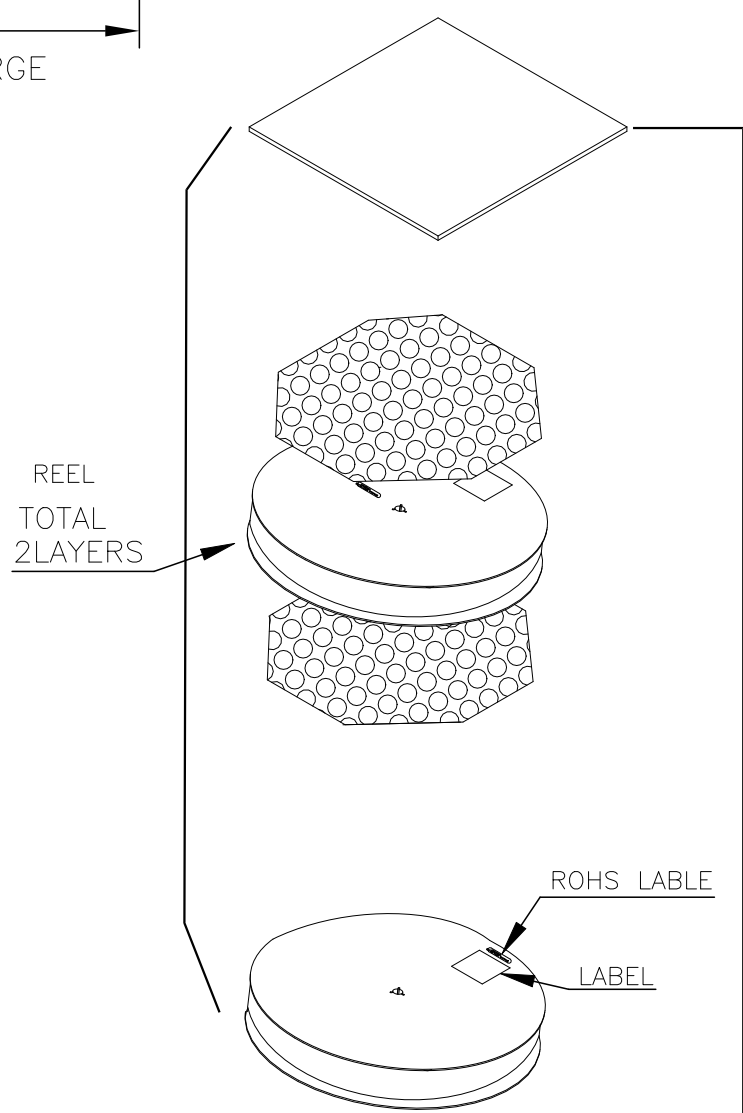
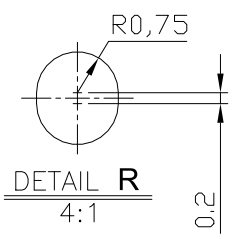
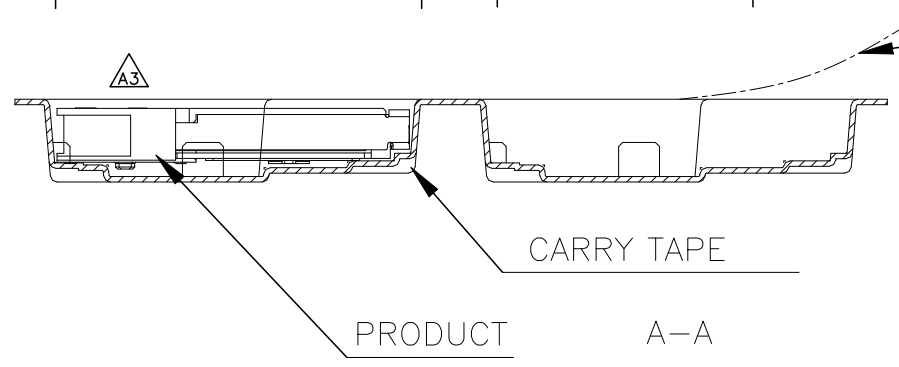
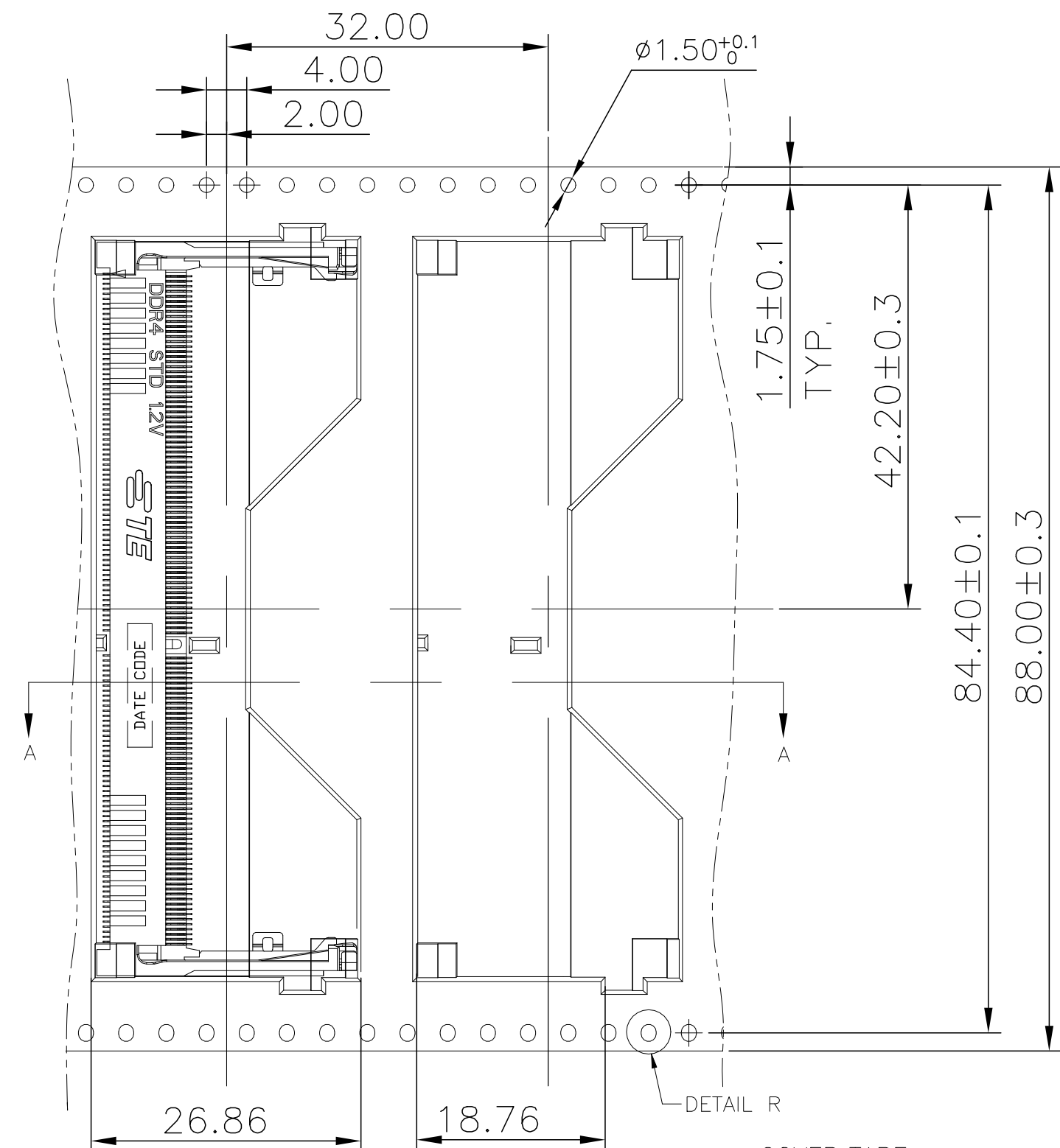
THIS DRAWING IS A CONTROLLED DOCUMENT.		OWN DAVID ZHAO 09SEP2016	 TE Connectivity
DIMENSIONS: mm		CHK RICHARD MA 09SEP2016	
TOLERANCES UNLESS OTHERWISE SPECIFIED:		APVD SIMON LI 09SEP2016	
0 PLC ± 1 PLC ± 2 PLC ± 3 PLC ± 4 PLC ± ANGLES ± FINISH ±		NAME DDR4 SODIMM SOCKET 0.5mm PITCH 260POS 4.0mm HEIGHT STANDARD TYPE	
MATERIAL		APPLICATION SPEC	SIZE A2
		WEIGHT	CAGE CODE 00779
		CUSTOMER DRAWING	DRAWING NO. 2309407
			RESTRICTED TO
			SCALE 1:1 SHEET 2 OF 3 REV 4

THIS DRAWING IS UNPUBLISHED. RELEASED FOR PUBLICATION
 © COPYRIGHT 2016 By TE connectivity ALL RIGHTS RESERVED.

REVISIONS					
P	LTR	DESCRIPTION	DATE	DWN	APVD
-	-		-	-	-



PULL OUT DIRECTION →



450	2	900	*-2309407-*
PCS/REEL	REEL/CARTON	PCS/CARTON	PART NUMBER

THIS DRAWING IS A CONTROLLED DOCUMENT.		DWN DAVID ZHAO 09SEP2016	 TE Connectivity				
DIMENSIONS: mm		CHK RICHARD MA 09SEP2016					
TOLERANCES UNLESS OTHERWISE SPECIFIED:		APVD SIMON LI 05SEP2016	NAME				
0 PLC ±	1 PLC ±	2 PLC ±	3 PLC ±	4 PLC ±	ANGLES ±	FINISH ±	DDR4 SODIMM SOCKET 0.5mm PITCH 260POS 4.0mm HEIGHT STANDARD TYPE
MATERIAL		APPLICATION SPEC		WEIGHT	SIZE A2	CAGE CODE 00779	DRAWING NO. C-2309407
CUSTOMER DRAWING		SCALE -		SHEET 3 of 3	REV 4	RESTRICTED TO	