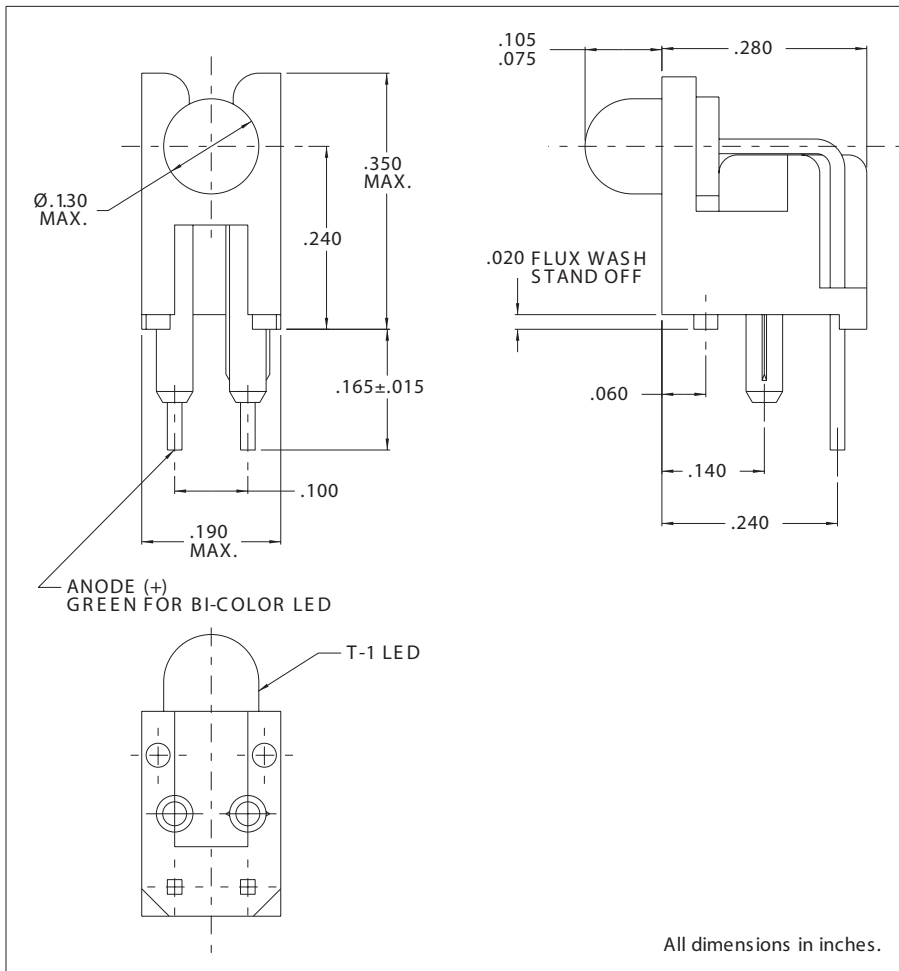


5323 Series T-1 Right Angle LED Assembly Description and Features



Features

- T-1 LED lamp right angle mounted, preassembled and tested.
- Black Nylon block, high contrast ratio, height and spacing alignment - saves assembly cost.
- High Brite and Super Brite LEDs-diffused.
- Mounting pins secure block to PC board while soldering.

Note: Alternate LEDs are also available in this package as a standard variation.

Refer to "Mounting Hole Pattern 1.pdf"

Electro-Optical Characteristics and Ratings

| Part Number | Emitted Color | Typical Intensity (mcd) | Rated Current (mA) | Continuous Forward Current Max. (mA) | Forward Voltage | | Reverse Breakdown Voltage Min. (V) | Peak Wavelength (nm) | Peak Forward Current at 1MS-300 PPS (A) |
|-------------|---------------|-------------------------|--------------------|--------------------------------------|-----------------|----------|------------------------------------|----------------------|---|
| | | | | | Typ. (V) | Max. (V) | | | |
| 5323F1 | Red | 10 | 10 | 30 | 2.0 | 3.0 | 5 | 650 | 1.6 |
| 5323F5 | Green | 16 | 10 | 30 | 2.2 | 3.0 | 5 | 562 | .09 |
| 5323F7 | Yellow | 6.3 | 10 | 30 | 2.1 | 3.0 | 5 | 583 | 1.0 |