

IP67 plastic hoods  
IP67 metallized plastic hoods

| Identification | No. of contacts | Part number | Drawing | Dimensions in mm |
|----------------|-----------------|-------------|---------|------------------|
|----------------|-----------------|-------------|---------|------------------|

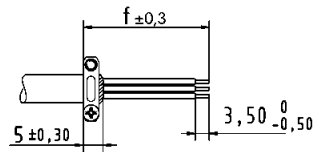
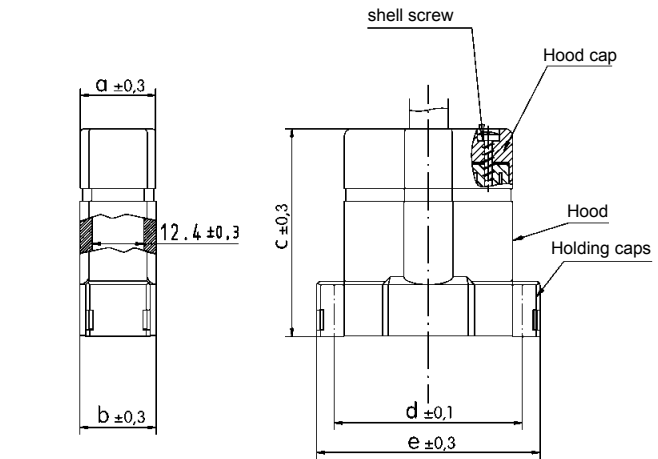
D-Sub

Hood  
Black thermoplastic

|    |                |
|----|----------------|
| 9  | 09 67 009 0436 |
| 15 | 09 67 015 0436 |
| 25 | 09 67 025 0436 |

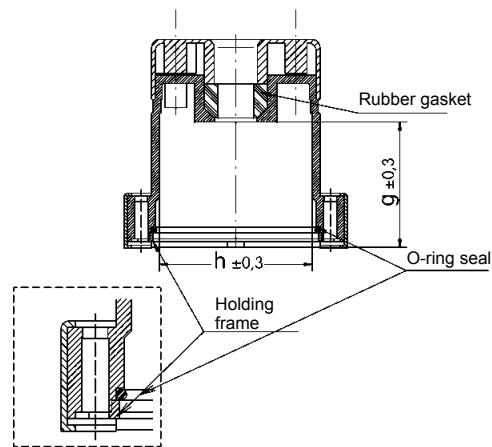
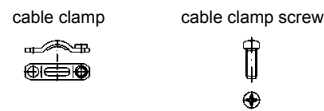
Metallized thermoplastic

|    |                |
|----|----------------|
| 9  | 09 67 009 0437 |
| 15 | 09 67 015 0437 |
| 25 | 09 67 025 0437 |



Mounting instructions

The stripped braid should not be fold back to avoid damaging the cable clamp and reducing its performance.



|    | a    | b    | c    | d     | e    | f    | g    | h    |
|----|------|------|------|-------|------|------|------|------|
| 9  | 15.6 | 15.6 | 41.0 | 25.00 | 33.6 | 23.0 | 25.0 | 17.0 |
| 15 | 15.6 | 15.6 | 46.8 | 33.30 | 42.0 | 27.5 | 30.8 | 25.1 |
| 25 | 18.8 | 19.1 | 52.0 | 47.04 | 55.7 | 31.5 | 33.8 | 38.8 |