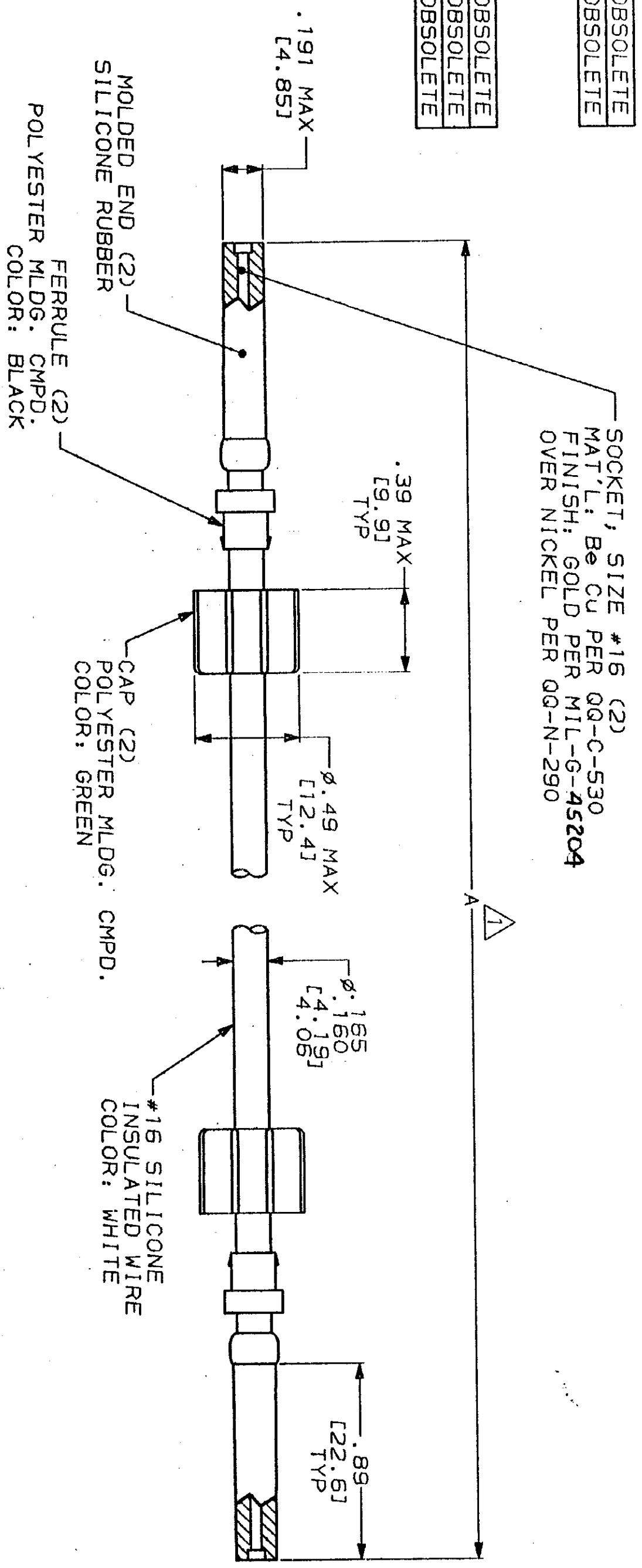


DRAWING MADE IN THIRD ANGLE PROJECTION
 THIS DRAWING IS UNPUBLISHED. RELEASED FOR PUBLICATION
 BY AMP INCORPORATED. ALL INTERNATIONAL RIGHTS RESERVED.

| | | | | | | | | | |
|-----------|-----|------|---|---|------|-----|---------------------------|-----------|-------|
| PROD CODE | LOC | DIST | P | F | ZONE | LTR | REVISIONS | DATE | APPRO |
| 4092 | DF | 50 | | | | | REV 8 REDRAWN PER DF-2571 | CT 8/2/91 | 5 |

| PART NO. | A | |
|------------|-----------------|----------|
| 862548-1 | 6.00 [152.4] | OBSOLETE |
| 862548-2 | 8.00 [203.2] | OBSOLETE |
| 862548-3 | 10.00 [254.0] | OBSOLETE |
| 862548-4 | 12.00 [304.8] | |
| 862548-5 | 15.00 [381.0] | |
| 862548-6 | 18.00 [457.2] | OBSOLETE |
| 862548-7 | 21.00 [533.4] | OBSOLETE |
| 862548-8 | 24.00 [609.6] | OBSOLETE |
| 862548-9 | 18.50 [469.9] | OBSOLETE |
| 1-862548-0 | 40.00 [1016.0] | OBSOLETE |
| 1-862548-1 | 80.00 [2032.0] | OBSOLETE |
| 1-862548-2 | 5.00 [127.0] | OBSOLETE |
| 1-862548-3 | 72.00 [1828.8] | OBSOLETE |
| 1-862548-4 | 48.00 [1219.2] | OBSOLETE |
| 1-862548-5 | 30.00 [762.0] | OBSOLETE |
| 1-862548-6 | 36.00 [914.4] | OBSOLETE |
| 1-862548-7 | 20.00 [508.0] | OBSOLETE |
| 1-862548-8 | 61.00 [1549.4] | OBSOLETE |
| 1-862548-9 | 17.00 [431.8] | |
| 2-862548-0 | 180.00 [4572.0] | |
| 2-862548-1 | 19.00 [482.6] | |
| 2-862548-2 | 360.00 [9144.0] | OBSOLETE |
| 2-862548-3 | 26.00 [660.4] | OBSOLETE |
| 2-862548-4 | 96.00 [2438.4] | OBSOLETE |



- △ TOLERANCE OF LEAD LENGTH:
 UP TO 24 INCHES [609.6] = ±.12 [±3.0]
 24 INCHES [609.6] & UP = ±1%
- MARKED PER MIL-STD-130.
 - TO MATE WITH AMP LGH-1/2L RECEPTACLE WITH .89 [22.6] BARREL DEPTH.
 - OPERATING VOLTAGE: 15 KVDC AT 0 TO 70,000 FEET, -55°C TO 125°C.

| | | |
|--|---------------------------|---|
| DO NOT SCALE PRINT. UNLESS SPECIFIED DIMENSIONS IN INCHES [mm] | DR 2-14-90 C.C. THOMAS | NAME AMP INCORPORATED Harrisburg, Pa. 17105 |
| TOLERANCES ON 1 2 PLC DEC ±.02 [0.51] 3 PLC DEC ± | CHK P. McAlle 8/14/91 | LEAD ASS'Y, POS STOP, DBL. END, LGH-1/2L |
| ANGLES | APPD J. McAlle 8/14/91 | SIZE C CAGE CODE 00779 DRAWING NO 862548 |
| MATERIAL | PRODUCT SPEC | SCALE 2:1 |
| SEE CALLOUTS | APPLICATION SPEC | SHEET 1 OF 1 |
| FINISH | WEIGHT | |

AMP 1471-S REV 6-89

CUSTOMER DRAWING

862548