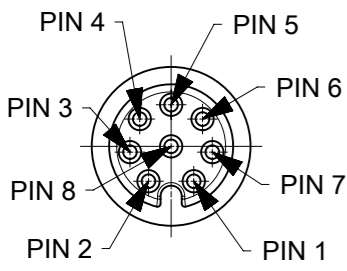
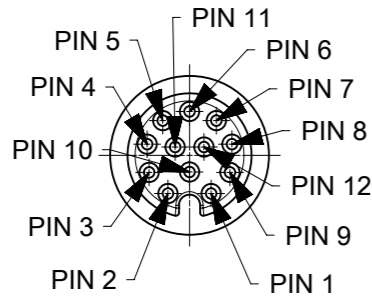


**8 POLE
M12 FEMALE**



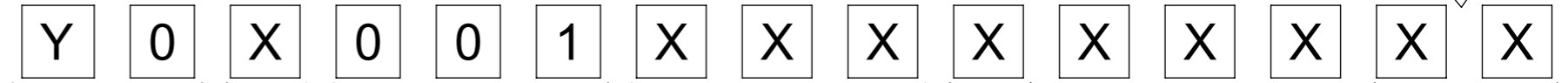
PIN	WIRE COLOR	PIN	WIRE COLOR
1	WH	5	GY
2	BN	6	PK
3	GN	7	BU
4	YE	8	RD

**12 POLE
M12 FEMALE**



PIN	WIRE COLOR	PIN	WIRE COLOR
1	WH	7	BU
2	BN	8	RD
3	GN	9	BK
4	YE	10	VT
5	GY	11	GY/PK
6	PK	12	RD/BU

PART No MATRIX



Y0= ULTRA LOCK 2.0
SINGLE ENDED

POLES:
8 = 8 POLES
C = 12 POLES

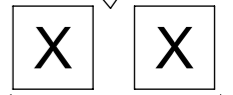
HEADER:
001= FEMALE RA

CABLE:
E02 - 8x0.25 PVC BLACK
B41 - 8x0.25 WSOR BLACK
H08 - 8x0.25 PUR-LS0H BLACK
H45 - 12x0.14 PUR BLACK

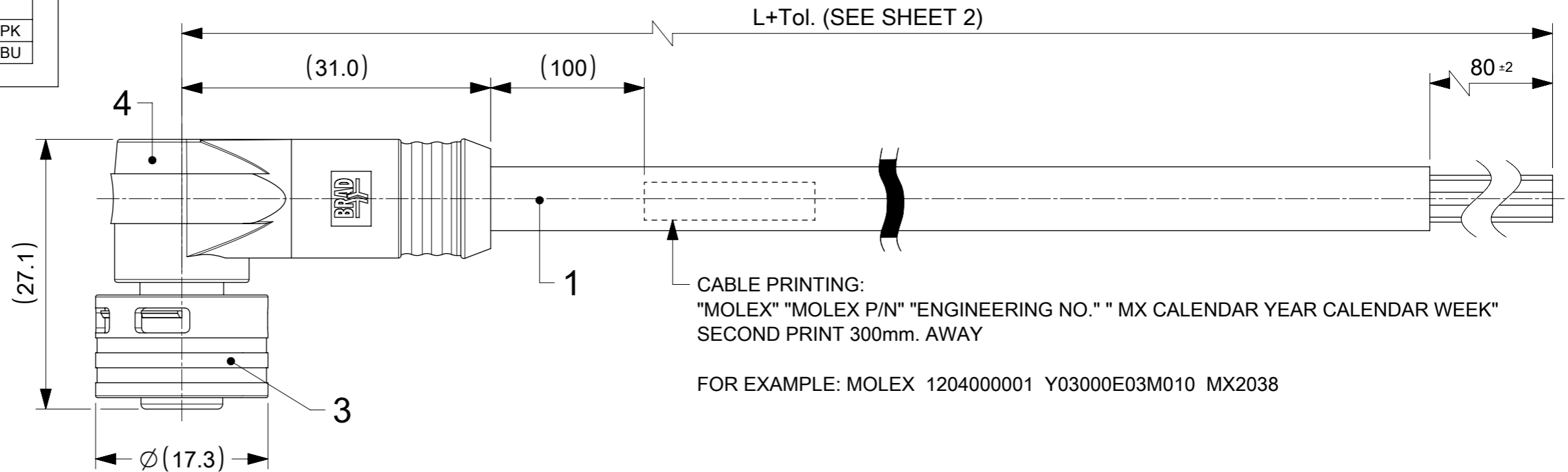
UNIT:
M = METER
F = FEET
C = CENTIMETER
T = 10M

LENGTH:
EXAMPLE:
010 = 1 m
050 = 5 m
100 = 10 m

OPTIONS



OVERMOLD:
BLANK = STANDARD BRAD:
-YELLOW IN THE USA
-BLACK IN EUROPE
A = GREY
E = RED
G = BLACK
Y = YELLOW
H = STD. COLOUR WITH TWO
I/D-TAG CARRIERS

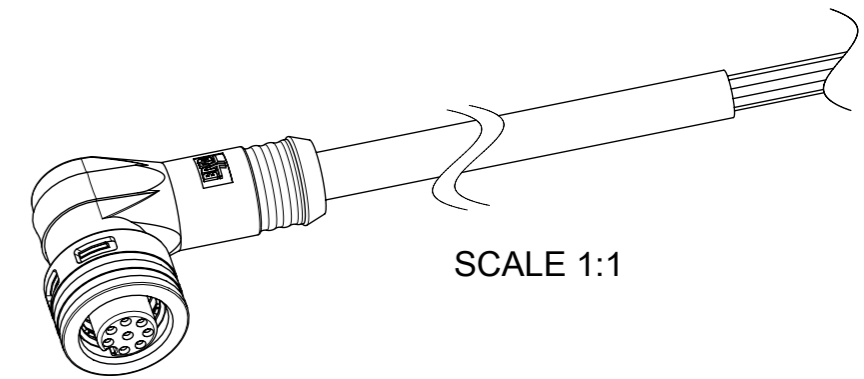


CABLE PRINTING:
"MOLEX" "MOLEX P/N" "ENGINEERING NO." " MX CALENDAR YEAR CALENDAR WEEK"
SECOND PRINT 300mm. AWAY

FOR EXAMPLE: MOLEX 1204000001 Y03000E03M010 MX2038

NOTES:

- PARTS ACC. TO PRODUCT SPECIFICATION
1204000001 PS P10 AND IN STYLE OF IEC-61076-2-010
- BOM & PART LIST - SEE SHEET 2
- RATED VOLTAGE :
8, 12 CONTACTS: 30V AC OR DC
RATED CURRENT:
8 CONTACTS: 2A
12 CONTACTS: 1.5A,
DERATING HAS TO BE CONSIDERED
OVERVOLTAGE CATEGORY: 3
POLLUTION DEGREE: 3, ONLY IN MATED AND LOCKED CONDITION
- PROTECTION CLASS: IP 67, ONLY IN MATED AND LOCKED CONDITION
- TEMPERATURE RANGE:
TEMPERATURE PLUG/SOCKET: -40 °C TO +85 °C
TEMPERATURE CABLE: SEE CABLE LIST
- MECHANICAL OPERATIONS: 100 CYCLES
- MATES WITH ULTRA-LOCK M12 MALE RECEPTACLES
- PACKAGING: THE CORDSETS ARE SINGLE PACKED IN PLASTIC BAGS AND DELIVERED IN CARTON BOXES
- UL CSA FILE REGISTRATION PENDING



FUNCTIONAL SYMBOLS	THIS DRAWING CONTAINS INFORMATION THAT IS PROPRIETARY TO MOLEX ELECTRONIC TECHNOLOGIES, LLC AND SHOULD NOT BE USED WITHOUT WRITTEN PERMISSION		CURRENT REV DESC: NOTES AND CABLE LIST UPDATED		molex	
	mm	2:1	CSE U12 8-12P AC FE RA XM SE UNSH BK			
DIVISIONAL SYMBOLS	GENERAL TOLERANCES (UNLESS SPECIFIED)		EC NO: 736602		PRODUCT CUSTOMER DRAWING	
	4 PLACES	±	DRWN: RSCHIEBER	2023/01/24		
FUNCTIONAL SYMBOLS	3 PLACES	±	CHK'D: RSILLER	2023/01/31	DOCUMENT NUMBER 1204000300	
	2 PLACES	± 0.05	APPR: RSILLER	2023/01/31		DOC TYPE PSD
	1 PLACE	± 0.3	INITIAL REVISION:			DOC PART 000
	0 PLACES	± 0.5	DRWN: RSCHIEBER	2020/09/16		REVISION B3
DRAFT WHERE APPLICABLE MUST REMAIN WITHIN DIMENSIONS		THIRD ANGLE PROJECTION	DRAWING A3-SIZE	SERIES 120400	MATERIAL NUMBER SEE SHEET 2	
			CUSTOMER GENERAL MARKET		SHEET NUMBER 1 OF 2	

PART LIST

MOLEX NO.	ENGINEERING NO.	LENGHT (MM)
1204000300	Y08001E02M010	1000
1204000301	Y08001E02M020	2000
1204000302	Y08001E02M050	5000
1204000303	Y08001E02M100	10000
1204000304	Y08001B41M010	1000
1204000305	Y08001B41M020	2000
1204000306	Y08001B41M050	5000
1204000307	Y08001B41M100	10000
1204000308	Y08001H08M010	1000
1204000309	Y08001H08M020	2000
1204000310	Y08001H08M050	5000
1204000311	Y08001H08M100	10000
1204000312	Y0C001H45M010	1000
1204000313	Y0C001H45M020	2000
1204000314	Y0C001H45M050	5000
1204000315	Y0C001H45M100	10000

MOLEX NO.	ENGINEERING NO.	LENGHT (MM)

MOLEX NO.	ENGINEERING NO.	LENGHT (MM)

CABLE LIST

8P	12P	CABLE TYPE	DESCRIPTION	MATERIAL	FINISH/COLOR	FIXED INSTALLATION *		FLEXIBLE INSTALLATION **		DRAG CHAIN	
						MIN.	MAX.	MIN.	MAX.	MIN.	MAX.
X		E02	8X0.25MM;UNSHLD;PVC;BK;OD=6.60MM	PVC	BLACK	-30°C	+80°C	-10°C	+80°C	NOT SUITABLE	
X		B41	CABLE 8X0.25 TPU BK D6.40 TPE UNSH DCS	PUR WSOR	BLACK	-40°C	+90°C	-25°C	+80°C	-5°C	+60°C
X		H08	CABLE PUR;BLK 8X0.25MM-LSOH;UL OD=6.10	PUR-LS0H	BLACK	-40°C	+80°C	-25°C	+80°C	+5°C	+60°C
	X	H45	CABLE12X0.14BLK PUR D6.0 UL/CSA	PUR	BLACK	-40°C	+80°C	-25°C	+80°C	+5°C	+60°C

* FIXED POSITION WITHOUT ACCIDENTAL CRUSHING OF VIBRATION.
 ** FREE MOTION WITHOUT PERIODIC RECURRENCE OR FORCED GUIDANCE.

LENGTH	TOLERANCE
0m-1m	+40 mm
>1m-5m	+60 mm
>5m-10m	+80 mm
>10m-20m	+140 mm
>20m-30m	+160 mm
>30m	+1% length

BILL OF MATERIAL

8P	12P	ITEM	QTY	DESCRIPTION	MATERIAL	FINISH/COLOR
X	X	1	-	CABLE	SEE CABLE LIST	SEE CABLE LIST
X		2	8	CONTACT 8 FE TUR AU CR SHORT 7/8POLE	BRASS	GOLD OVER NICKEL PLATED
	X		12	CONTACT 6 FE TUR NI CR WRA0.14-0.25		
X		3	1	PLG U12 8P AC FE PA UNSH	-	-
	X		1	PLG U12 12P AC FE PA UNSH		
X	X	4	1	OVERMOLD	TPC	SEE MATRIX
IF "H" IS IN MATRIX-END		-	2	I/D CARRIER DIA 4-7MMX30MM	PVC	TRANSPARENT

DOCUMENT STATUS: P1 RELEASE DATE: 2023/01/31 08:21:34

FUNCTIONAL SYMBOLS DIVISIONAL SYMBOLS	<small>THIS DRAWING CONTAINS INFORMATION THAT IS PROPRIETARY TO MOLEX ELECTRONIC TECHNOLOGIES, LLC AND SHOULD NOT BE USED WITHOUT WRITTEN PERMISSION</small> DIMENSION UNITS: mm SCALE: 1:1		<small>CURRENT REV DESC: NOTES AND CABLE LIST UPDATED</small>		 CSE U12 8-12P AC FE RA XM SE UNSH BK PRODUCT CUSTOMER DRAWING 1204000300 PSD 000 B3
	<small>GENERAL TOLERANCES (UNLESS SPECIFIED)</small> ANGULAR TOL ± 1.0 °		EC NO: 736602 DRWN: RSCHIEBER 2023/01/24 CHK'D: RSILLER 2023/01/31 APPR: RSILLER 2023/01/31		
	4 PLACES	±	3 PLACES	±	
	2 PLACES	± 0.05	1 PLACE	± 0.3	
	0 PLACES	± 0.5	<small>DRAFT WHERE APPLICABLE MUST REMAIN WITHIN DIMENSIONS</small>		
	<small>THIRD ANGLE PROJECTION</small> 		<small>DRAWING SERIES</small> A3-SIZE 120400		
	<small>MATERIAL NUMBER</small> SEE PART LIST		<small>CUSTOMER</small> GENERAL MARKET		
	<small>DOCUMENT NUMBER</small> 1204000300		<small>DOC TYPE DOC PART REVISION</small> PSD 000 B3		
	<small>SHEET NUMBER</small> 2 OF 2		<small>SHEET NUMBER</small> 2 OF 2		