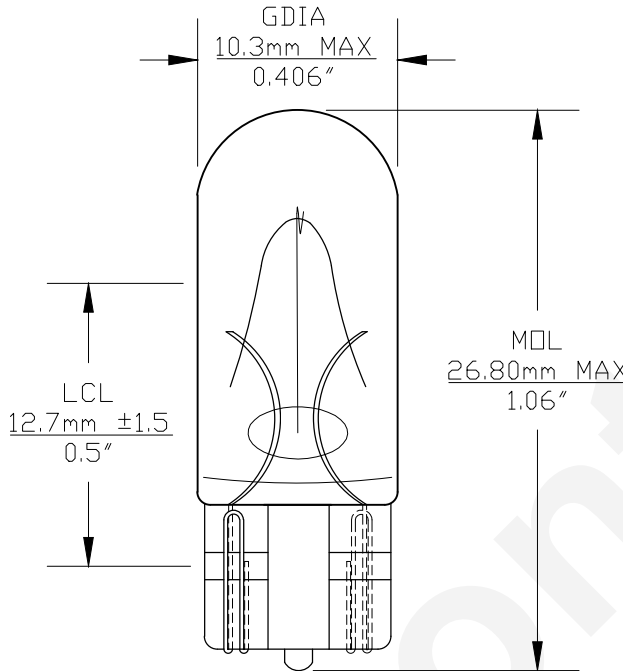
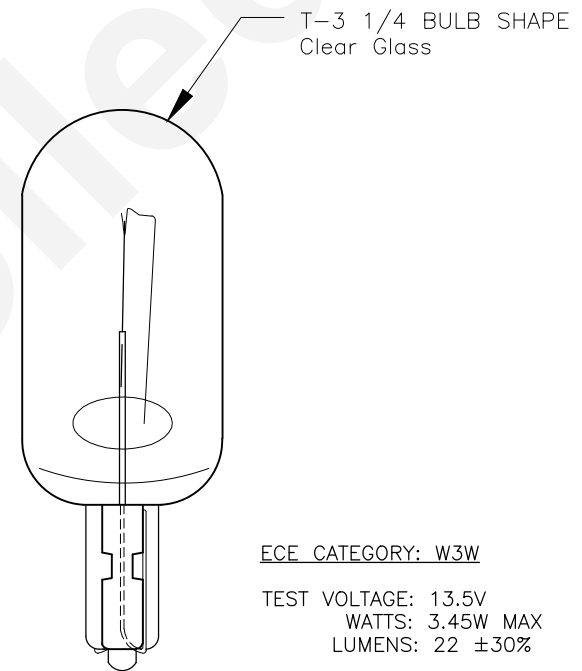




PART NO.	BASE TYPE	DESIGN VOLTS	DESIGN AMPS	MSCD	FILAMENT TYPE	AVERAGE LIFE HOURS	REVISIONS			
							REV #	DESCRIPTION	DATE	APPROVED
2821LL	Glass Wedge T-3 1/4 (W2.1X9.5d)	12.0V	0.25±10%	1.76 ±20%	C-2V	2000	1	ISSUED	07/01/2009	D.C.



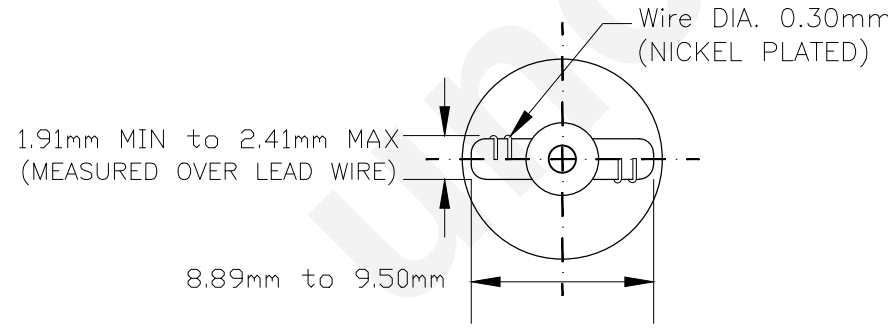
0° VIEW



90° VIEW

ECE CATEGORY: W3W

TEST VOLTAGE: 13.5V
WATTS: 3.45W MAX
LUMENS: 22 ±30%



BASE BOTTOM VIEW

UNLESS OTHERWISE SPECIFIED: DIMENSIONS ARE IN INCHES TOLERANCES		CEC INDUSTRIES LTD	
DECIMALS	ANGULAR	599 BOND STREET LINCOLNSHIRE, IL 60069	
.XX ± .05	± 0.5°	TITLE LIGHT BULB NO. 2821LL	
.XXX ± .010		SIZE A	REV 1
FRACTIONAL	±1/64	FSCM NO.	DWG NO. 2821LL
DRAWN D. C.	DATE 07/01/2009	SCALE	SHEET 1 OF 1
CHECKED		PLOT SCALE	
DESIGN		FILE 2821LL.pdf	DRAWING NOT TO SCALE
MATERIAL			