

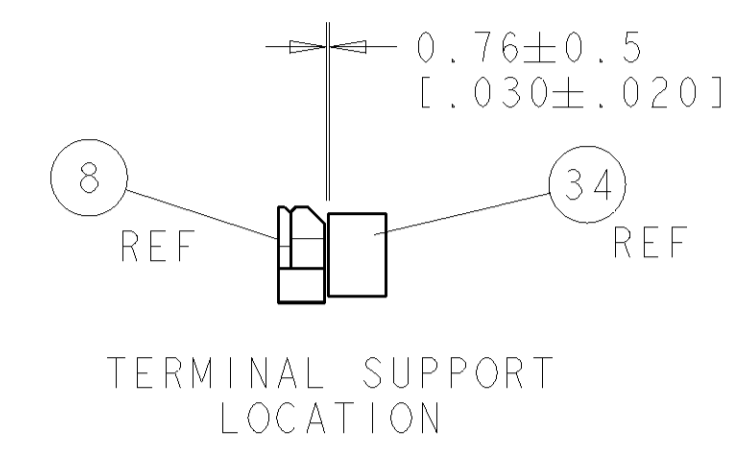
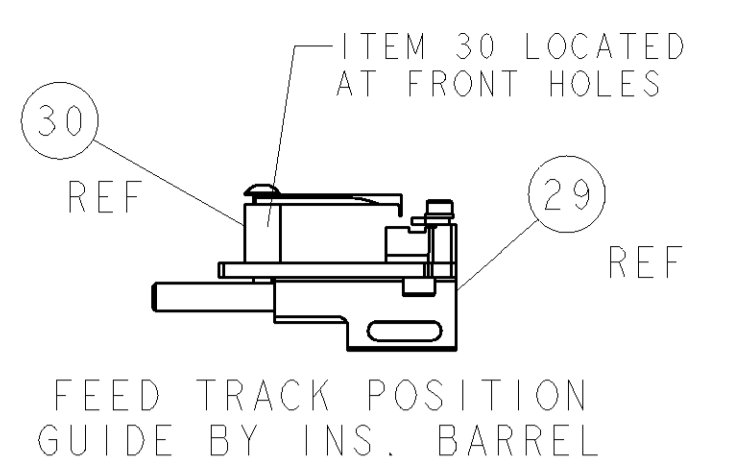
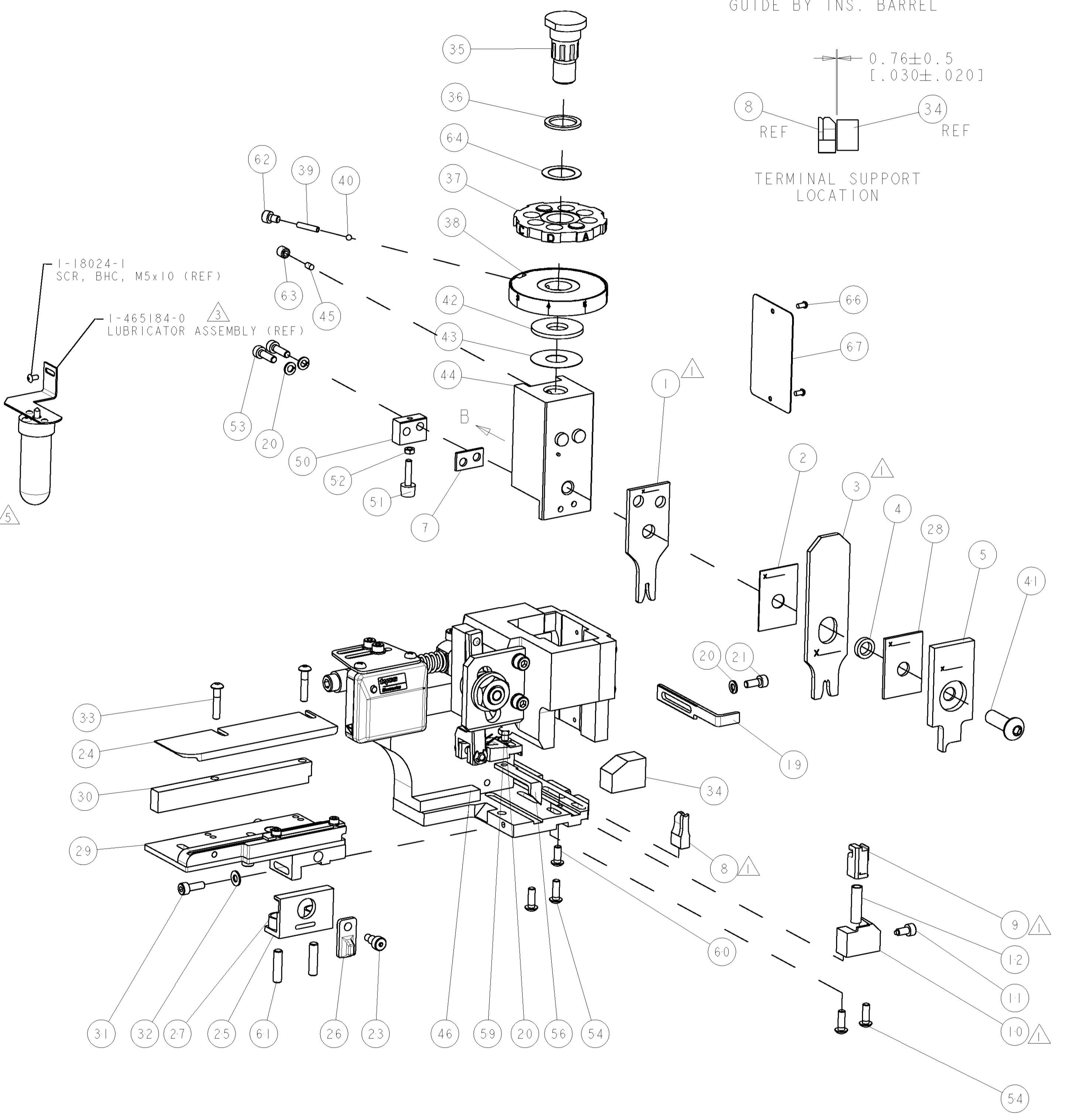
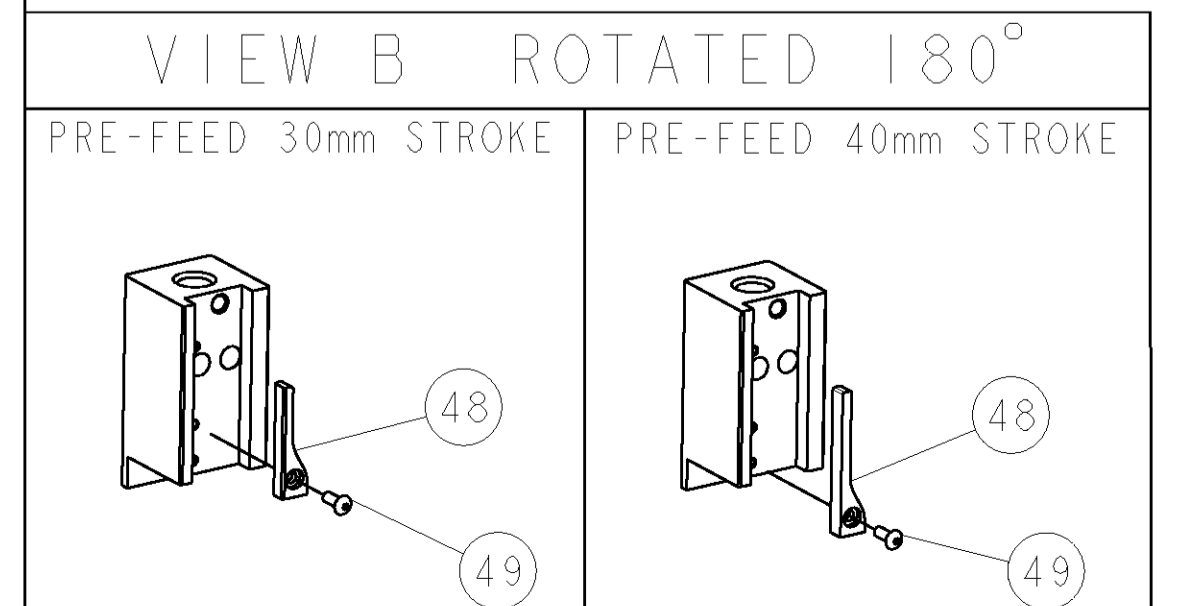
PART NUMBER	REV	TERMINATOR	FEED TYPE	DESCRIPTION
1947003-2	A	BENCH	MECH PRE FEED	CUTS CARRIER
7-1947003-2	A	BENCH	MECH PRE FEED	-2 AND SPARE PARTS
7-1947003-7	A	-	-	SPARE PARTS KIT

CRIMP	SIZE	TYPE	RANGE
WIRE	2.03 [1.080 IN]	F	-
INSUL	4.39 [1.173 IN]	SPECIAL	-

TERMINAL APPL SPEC	FEED
12.00 [4.72 IN]	

WIRE SIZE	CRIMP HEIGHT	PINPN & LENGTH [IN]
CRIMP HT REF	2.80 ±0.05 [1.110 ±.002 IN]	3-354778-1 [1.2650]

- 1 RECOMMENDED SPARE PARTS.
- 2. GREASE RAM, CAM, CAM FOLLOWER AND FEED ROD LIGHTLY.
- 3 CERTAIN TERMINALS REQUIRE LUBRICATION. REFER TO THE APPLICATOR INSTRUCTION SHEET FOR MORE INFORMATION.
- 4. LUBRICATE DAILY PER THE APPLICATOR INSTRUCTION SHEET SUPPLIED WITH THE APPLICATOR.
- 5 REFERENCE CRIMP HEIGHT TO ACHIEVE PRE-FORMED WIRE BARREL WIDTH TO DRGS. 1241395, 964285 & 964299.
- 6 THIS APPLICATOR LOOSE PIECES STRIP TERMINAL PINS. 1241394 INTO L/P PN 1241395
964286 INTO L/P PN 964285
964300 INTO L/P PN 964299
- 7 FEED MAY REQUIRE ADJUSTMENT WHEN CHANGING FROM ONE TERMINAL TO ANOTHER.



LOC	DIST	REV	DESCRIPTION	DATE	BY	APPD
A	66	A	SEE ECO-06-019402	11AUG2006	MC	MC

REV	DESCRIPTION	DATE	BY	APPD		
-	-	-	-	73		
-	-	-	-	72		
-	1	1	1338705-1	DOCUMENTATION PACKAGE	71	
-	-	-	-	70		
-	-	-	-	69		
-	-	-	-	68		
-	1	1	461264-1	PLATE, IDENTIFICATION	67	
-	2	2	21017-2	SCREW, DRIVE	66	
-	-	-	-	65		
-	1	1	986950-1	WASHER, FLAT PRECISION	64	
-	1	1	3-18031-0	SCR, SET, CUP POINT M6 X 6.0	63	
-	1	1	18023-9	SCR, SKT HD CAP M4 X 6.0	62	
-	2	2	2-18032-5	SCR, SET, FLT POINT M5 X 20.0	61	
-	1	1	18024-7	SCR, BTN SKT HD CAP (M4 X 10.0)	60	
-	1	1	5-18022-2	SCR, HEX HD CAP M4 X 8.0	59	
-	-	-	-	58		
-	-	-	-	57		
-	1	1	1338685-1	PAWL, FEED	56	
-	-	-	-	55		
-	4	4	18024-8	SCR, BTN SKT HD CAP (M4 X 12.0)	54	
-	2	2	9-18023-6	SCR, SKT HD CAP M4 X 14.0	53	
-	1	1	18030-1	NUT, HEX, REG M3	52	
-	1	1	811242-5	BUMPER, HOLD DOWN	51	
-	1	1	690753-2	SPACER, TONKER	50	
-	1	1	18024-3	SCR, BTN SKT HD CAP (M3 X 10.0)	49	
-	1	1	1338675-1	CAM, UNIVERSAL PRE FEED	48	
-	-	-	-	47		
-	1	1	1320999-3	APPLICATOR SUBASSEMBLY, HDI	46	
-	1	1	690191-1	PLUG, NYLON	45	
-	1	1	1338660-1	RAM	44	
-	1	1	690125-1	SHIM SUB-ASSY	43	
-	1	1	690124-7	WASHER, RAM (.090)	42	
-	1	1	2-18024-6	SCR, BTN SKT HD CAP (M8 X 25.0)	41	
-	1	1	23241-1	BALL, STEEL	40	
-	1	1	2-22278-7	SPRING, COMPRESSION	39	
-	1	1	1320922-1	DISC, ADJUST, INSULATION CRIMP	38	
-	1	1	354777-1	WIRE DISC, ASSEMBLY	37	
-	1	1	22480-5	SPRING, COMPRESSION	36	
-	1	1	690212-1	POST, RAM	35	
-	1	1	1320934-4	SUPPORT, TERMINAL	34	
-	2	2	1-18024-0	SCR, BTN SKT HD CAP (M4 X 20.0)	33	
-	1	1	18027-2	WASHER, FLAT, REG M4	32	
-	1	1	1-18023-2	SCR, SKT HD CAP M4 X 12.0	31	
-	1	1	1320908-8	SPACER, STRIP GUIDE	30	
-	1	1	1633073-2	STRIP GUIDE ASSEMBLY	29	
-	1	1	1-455888-6	SPACER, CRIMPER	28	
-	2	2	1-22284-0	SPRING, COMPRESSION	27	
-	1	1	356835-1	LEVER, DRAG RELEASE	26	
-	1	1	240792-1	DRAG, TERMINAL	25	
-	1	1	1320928-1	PLATE, STRIP GUIDE	24	
-	1	1	980371-4	SCR, SKT HD SHLDR 5.0 DIA X 6.0	23	
-	-	-	-	22		
-	1	1	1-18023-1	SCR, SKT HD CAP M4 X 10.0	21	
-	4	4	18025-2	WASHER, SPRG LOCK, REG M4	20	
-	1	1	690472-1	STRIPPER	19	
-	-	-	-	18		
-	-	-	-	17		
-	-	-	-	16		
-	-	-	-	15		
-	-	-	-	14		
-	-	-	-	13		
-	1	1	3-22280-3	SPRING, COMPRESSION	12	
-	1	1	356885-4	STOP, SHEAR	11	
-	1	1	1320921-1	SHEAR HOLDER, FRONT, CUT	10	
-	1	1	454276-1	FLOATING SHEAR, FRONT	9	
-	1	2	1	9-1333204-8	ANVIL, COMBINATION	8
-	1	1	6-240641-4	SPACER	7	
-	-	-	-	6		
-	1	1	4-455889-5	DEPRESSOR, SHEAR	5	
-	1	1	4-238011-0	BLOCK, CRIMPER SPACER	4	
-	1	2	1	1333291-2	CRIMPER, INSULATION, SPECIAL	3
-	1	1	455888-5	SPACER, CRIMPER	2	
-	1	2	1	1-456405-7	CRIMPER, WIRE PREMIUM	1

REV	DESCRIPTION	DATE	BY	APPD
-	-	-	-	84
-	-	-	-	83
-	-	-	-	82
-	-	-	-	81
-	-	-	-	80
-	-	-	-	79
-	-	-	-	78
-	-	-	-	77
-	-	-	-	76
-	-	-	-	75
-	-	-	-	74

REV	DESCRIPTION	DATE	BY	APPD	
-77	-72	-2	PART NO	DESCRIPTION	ITEM NO

DIMENSIONS: mm [IN] 		TOLERANCES UNLESS OTHERWISE SPECIFIED: 0 PLC ± 1 PLC ± 2 PLC ± 3 PLC ± 4 PLC ± ANGLES ±		DWG: JL LOFHOUSE 21JUNE06 CHK: M. CLIFFORD APVD: M. CLIFFORD 21JUNE06 PRODUCT SPEC: - APPLICATION SPEC: See Table WEIGHT: - CUSTOMER DRAWING: -	tyco Tyco Electronics Harrisburg, PA 17105-3608	NAME: SIDE FEED LP HDI APPLICATOR SIZE: A1 CAGE CODE: 00779 DRAWING NO: C-1947003 SCALE: 3:5 SHEET: 1 OF 1 REV: A
-------------------------	--	-----------------------------------------------------------------------------------------------------------	--	-------------------------------------------------------------------------------------------------------------------------------------------------------------------	--------------------------------------------------------------	-------------------------------------------------------------------------------------------------------------------------------------