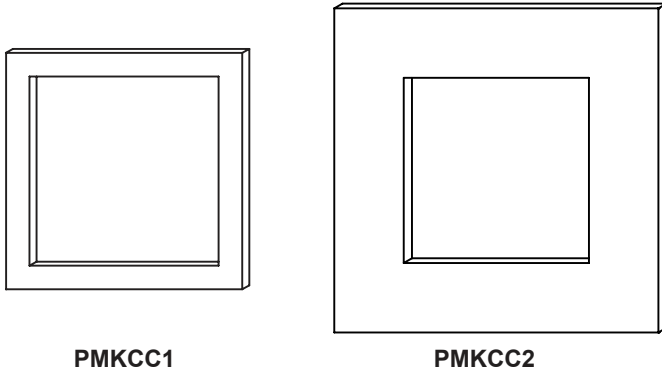


## INSTALLATION FOR 1/16 DIN PANEL MOUNT KITS



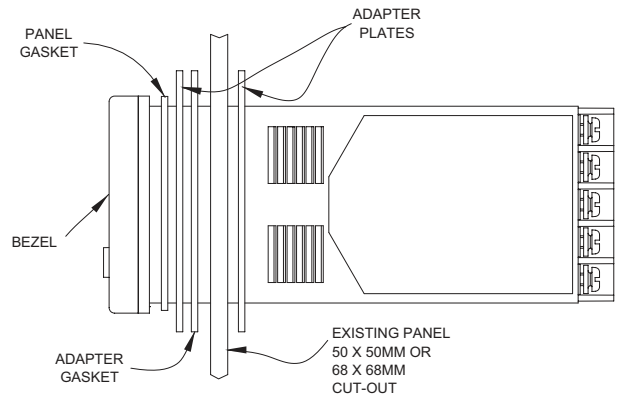
These panel mount kits for 1/16 DIN products are available to aid in replacing many products on the market today. Kits come complete with adapter plates coated with a durable flat black polyurethane finish and gaskets.

### PMKCC1 & PMKCC2

These panel mount kits adapt 1/16 DIN products to either a 50 mm x 50 mm or a 68 mm x 68 mm panel cut-out. The kit consists of two metal panel adaptors and one neoprene gasket. The adapter plates and gasket are pinched between the front bezel of the 1/16 DIN unit and the unit's mounting clip.

*Note: If room permits, make the wiring connections after the unit is mounted. If there is not enough room, pull the wires through before installing as described below:*

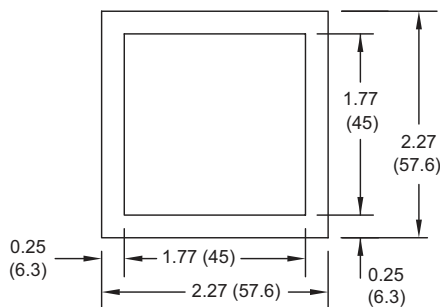
1. Slide the following items onto the 1/16 DIN unit.
  - a. Panel gasket supplied with 1/16 DIN unit.
  - b. One PMKCC adapter plate.
  - c. Adapter gasket supplied with PMKCC.
2. If wiring connections can be made after the unit is mounted, skip to Step 3.
  - a. Pull wires through mounting clip.
  - b. Pull wires through one PMKCC adapter plate.
  - c. Pull wires through existing panel opening.
  - d. Wire unit.
3. Slide unit through panel cut-out from the front, and center in the panel opening.
4. Slide PMKCC adapter plate onto back of unit.
5. Install the mounting clip and tighten to moderately "pinch" the gaskets between the front bezel and the mounting clip.



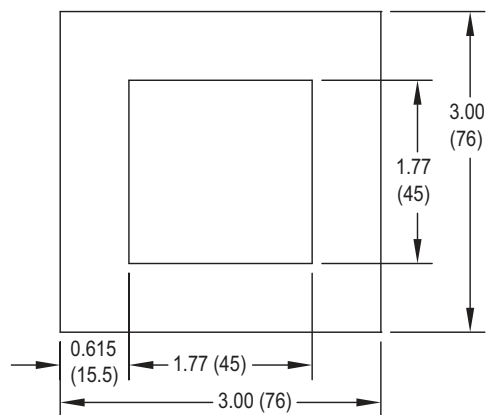
### ORDERING INFORMATION

MODEL NO.	DESCRIPTION	PART NUMBER
PMKCC1	3-PIECE KIT permits mounting in existing 1.97" X 1.97" (50 mm x 50 mm) panel cut-outs	PMKCC100
PMKCC2	3-PIECE KIT permits mounting in existing 1.97" X 1.97" (50 mm x 50 mm) or 2.68" X 2.68" (68 mm x 68 mm) panel cut-outs	PMKCC200

### DIMENSIONS In inches (mm)



PMKCC1



PMKCC2

### **LIMITED WARRANTY**

The Company warrants the products it manufactures against defects in materials and workmanship for a period limited to two years from the date of shipment, provided the products have been stored, handled, installed, and used under proper conditions. The Company's liability under this limited warranty shall extend only to the repair or replacement of a defective product, at The Company's option. The Company disclaims all liability for any affirmation, promise or representation with respect to the products.

The customer agrees to hold Red Lion Controls harmless from, defend, and indemnify RLC against damages, claims, and expenses arising out of subsequent sales of RLC products or products containing components manufactured by RLC and based upon personal injuries, deaths, property damage, lost profits, and other matters which Buyer, its employees, or sub-contractors are or may be to any extent liable, including without limitation penalties imposed by the Consumer Product Safety Act (P.L. 92-573) and liability imposed upon any person pursuant to the Magnuson-Moss Warranty Act (P.L. 93-637), as now in effect or as amended hereafter.

No warranties expressed or implied are created with respect to The Company's products except those expressly contained herein. The Customer acknowledges the disclaimers and limitations contained herein and relies on no other warranties or affirmations.

Red Lion Controls  
Headquarters  
20 Willow Springs Circle  
York PA 17406  
Tel +1 (717) 767-6511  
Fax +1 (717) 764-0839

Red Lion Controls  
Europe  
Printerweg 10  
NL - 3821 AD Amersfoort  
Tel +31 (0) 334 723 225  
Fax +31 (0) 334 893 793

Red Lion Controls  
India  
54, Vishvas Tenement  
GST Road, New Ranip,  
Ahmedabad-382480 Gujarat, India  
Tel +91 987 954 0503  
Fax +91 79 275 31 350

Red Lion Controls  
China  
Unit 101, XinAn Plaza  
Building 13, No.99 Tianzhou Road  
ShangHai, P.R. China 200223  
Tel +86 21 6113-3688  
Fax +86 21 6113-3683