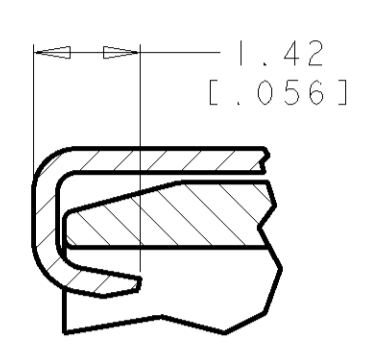
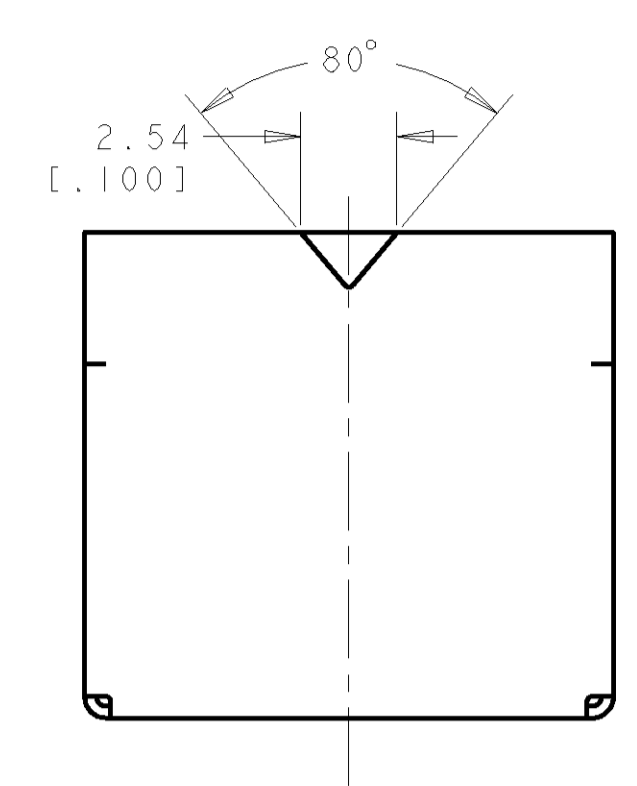
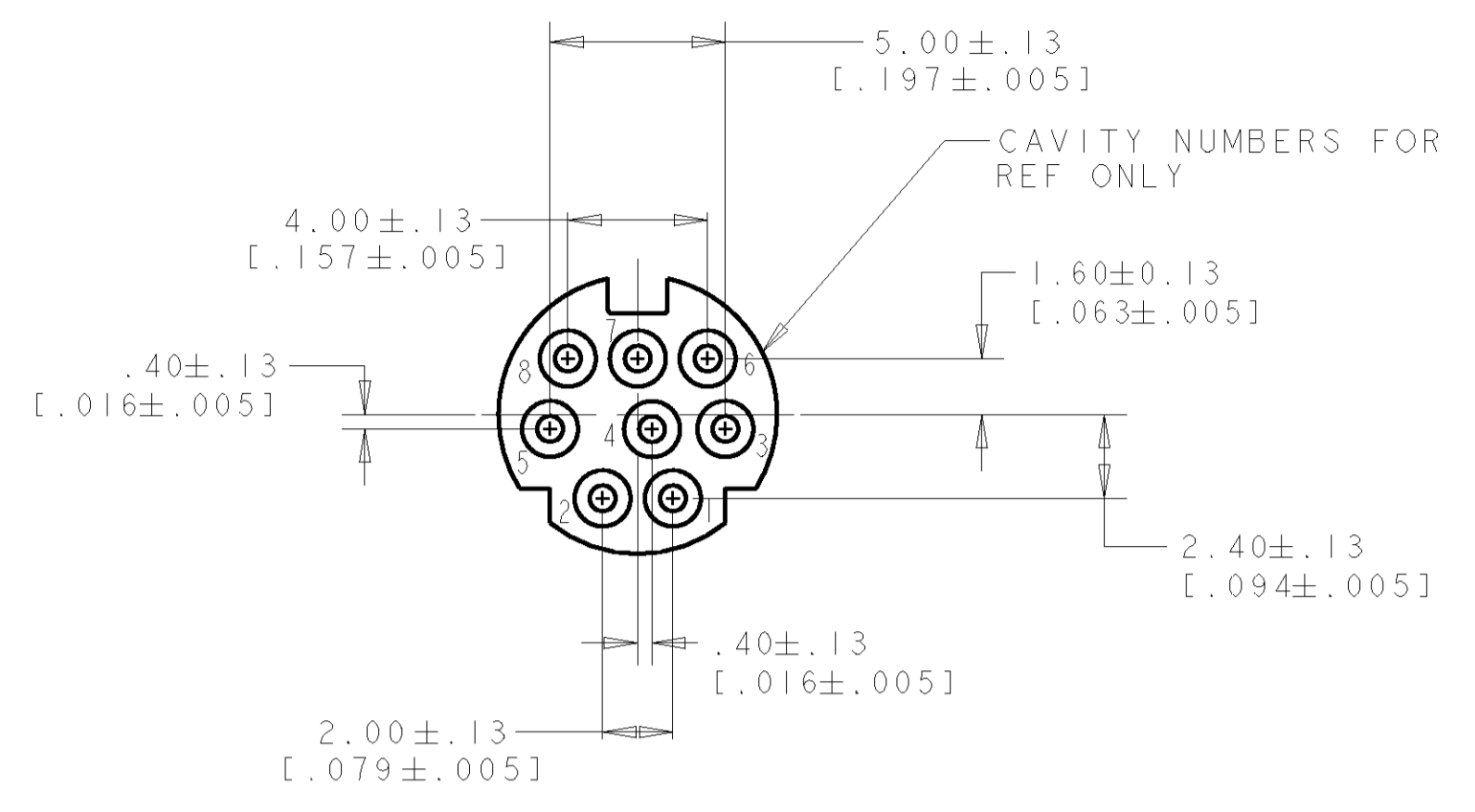


LOC	DIST	REVISIONS			
REV	DATE	DESCRIPTION	DATE	BY	APPD
0		NPR FP00-0340-04	5JAN05	LWY	LSF

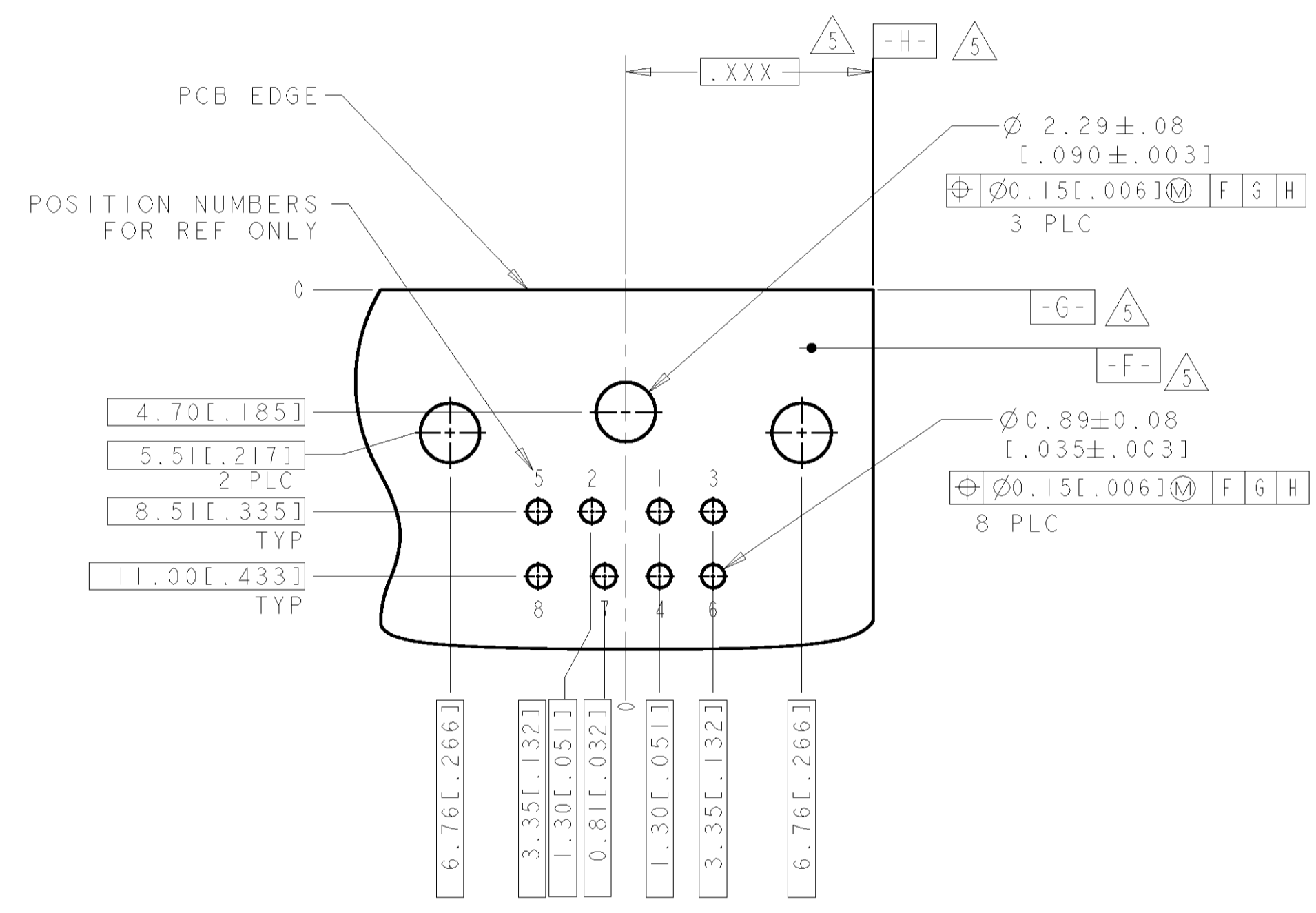
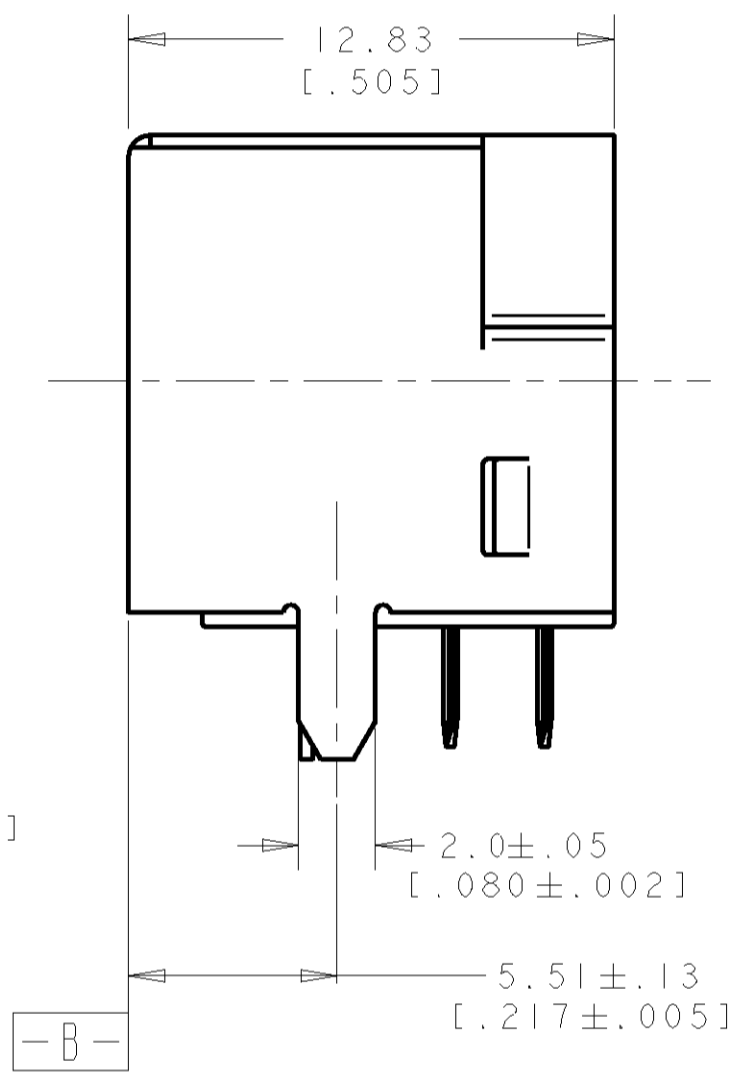
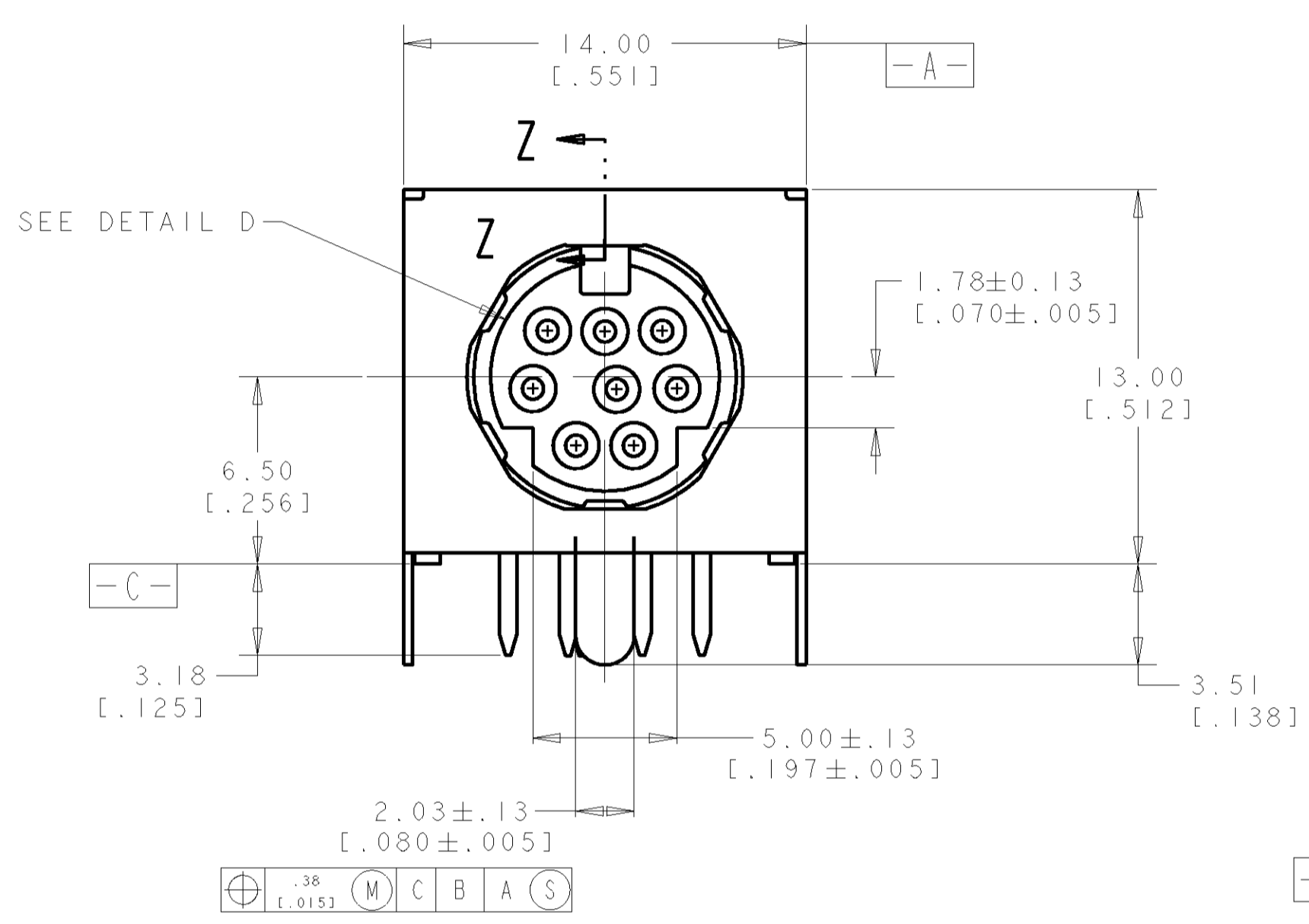


SECTION Z-Z
SCALE 10:1

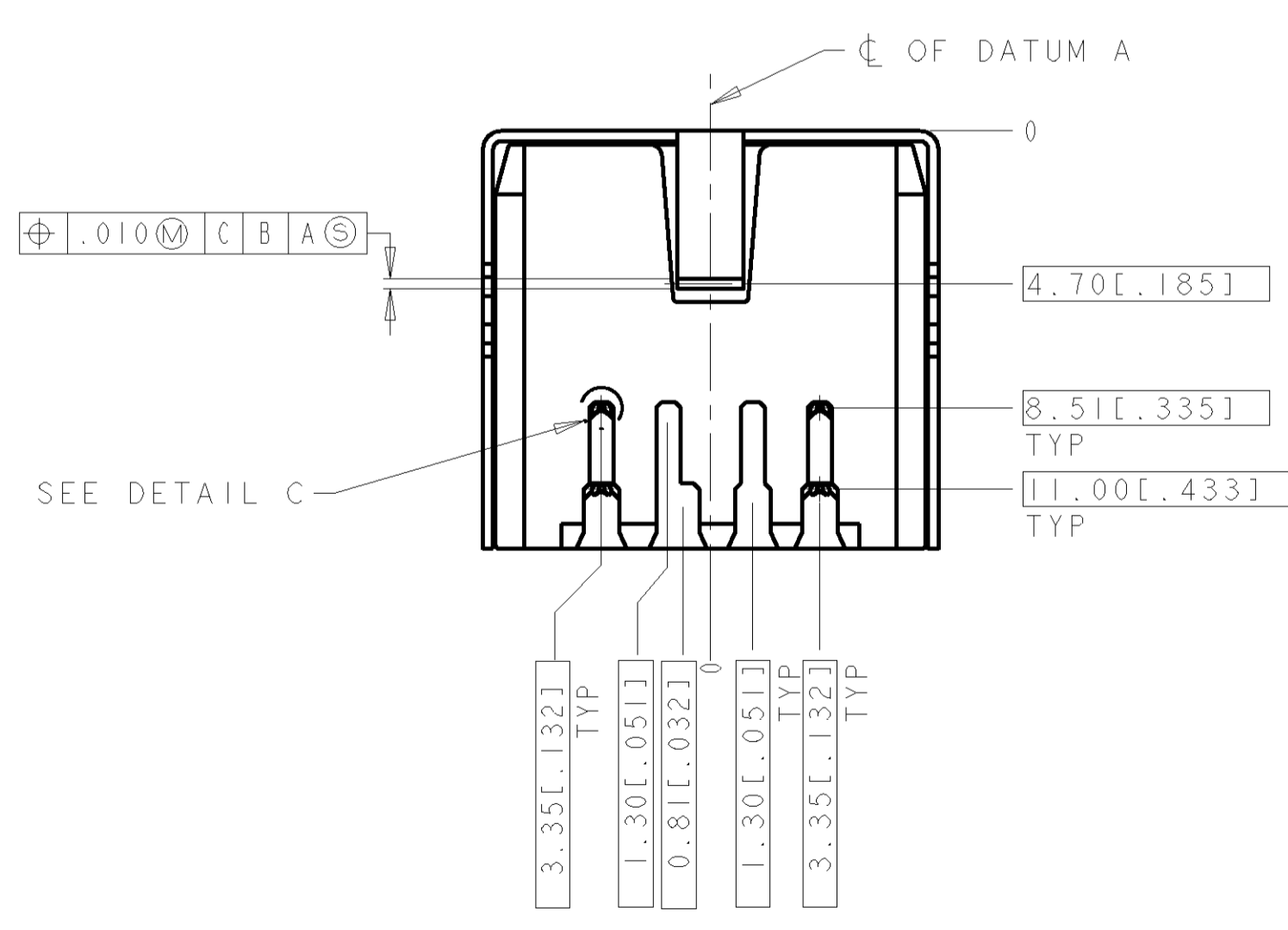


DETAIL D
8 PIN FACE

- △ RECEPTACLE CONTACTS: COPPER ALLOY.
RECEPTACLE SHIELD: COPPER ALLOY.
HOUSING: THERMOPLASTIC, BLACK, 94V-0 RATED.
- △ PLATING:
RECEPTACLE CONTACTS - GOLD PLATED .00076 MIN [.000030 MIN] THICK ON MATING END, MATTE-TIN PLATED .0030 MIN [.000120 MIN] THICK ON SOLDER TAIL ALL OVER .0013 MIN [.000050 MIN] THICK NICKEL.
- △ PLATING:
RECEPTACLE SHIELD - PRE-TIN PLATED
- 4. RECEPTACLE ASSEMBLY MATES WITH 8 PIN 9.00±.10 [.354±.004] DIAMETER PLUG.
- △ DATUMS AND BASIC DIMENSION SUPPLIED BY CUSTOMER.



8 PIN PCB LAYOUT
BOTTOM VIEW



DETAIL C
SCALE 50:1

P/N: 5749267-1 AS SHOWN

<small>THIS DRAWING IS UNPUBLISHED. RELEASED FOR PUBLICATION. BY AMP INCORPORATED. ALL RIGHTS RESERVED.</small>		DWN: WYLLIE CDR: SF LEONG APD: SF LEONG	05JAN2005 NAME: RECEPTACLE ASSY, 8 POS, MINIATURE CIRCULAR DIN
DIMENSIONS: mm [INCHES]	TOLERANCES UNLESS OTHERWISE SPECIFIED: 0 PLC ± 1 PLC ± 2 PLC ± 3 PLC ± 4 PLC ± 5 PLC ±	PRODUCT SPEC: 108-1225 APPLICATION SPEC:	Tyco Electronics Singapore Pte. Ltd.
MATERIAL:	FINISH:	WEIGHT:	SIZE: A1 CAGE CODE: 00779 DRAWING NO: 5749267
CUSTOMER DRAWING		SCALE: 5:1	SHEET: 1 OF 1 REV: 0