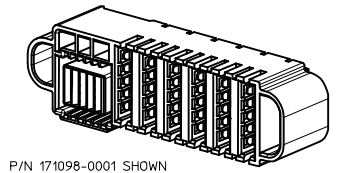
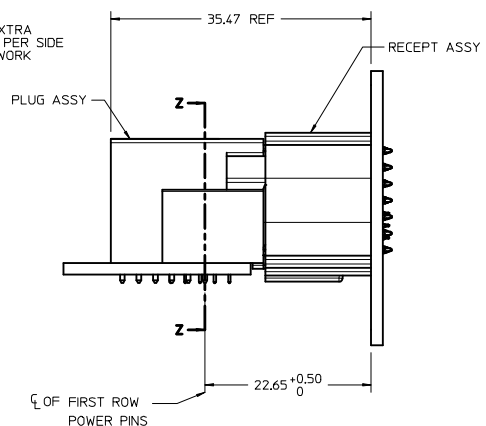
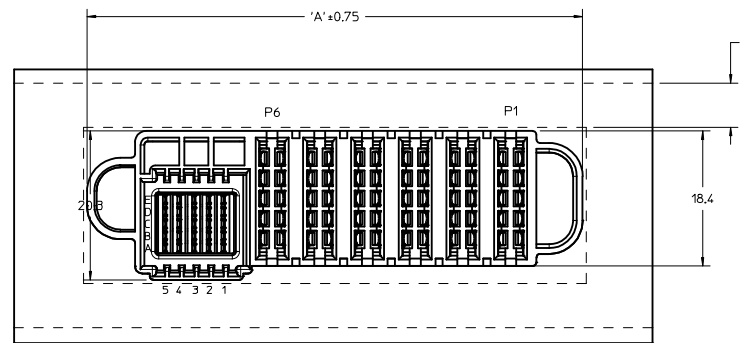
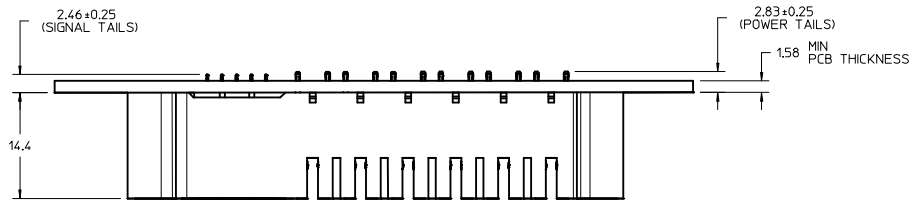
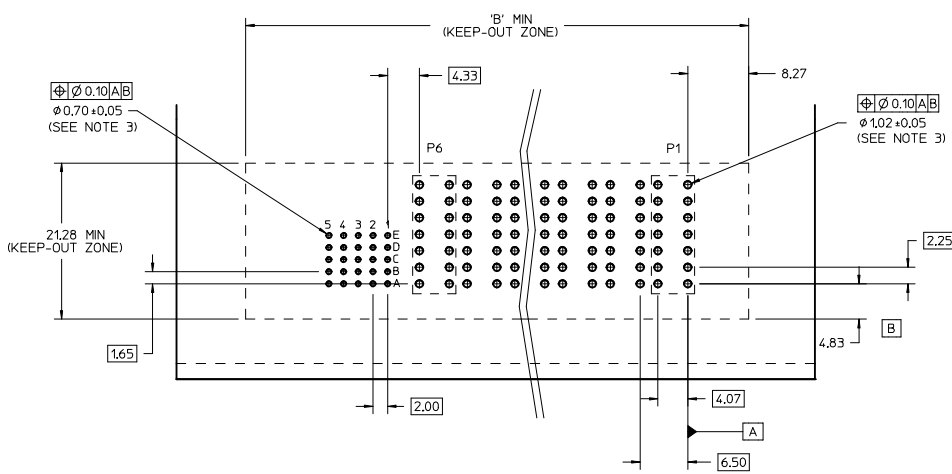
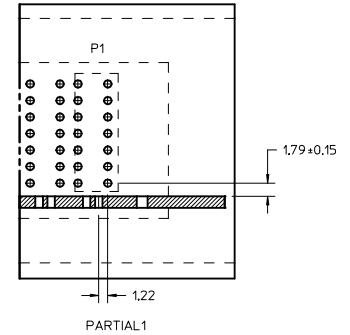


| PACKAGING SPEC | PART NUMBER | # OF POWERS | DIM 'A' | DIM 'B' | # OF SIGNALS |
|----------------|-------------|-------------|---------|---------|--------------|
| PK-171098-0100 | 171098-0001 | 6           | 67.50   | 68.50   | 25           |
| PK-172186-0002 | 171098-0002 | 4           | 54.50   | 55.50   |              |
| PK-172186-0002 | 171098-0003 | 2           | 41.50   | 42.50   |              |



P/N 171098-0001 SHOWN

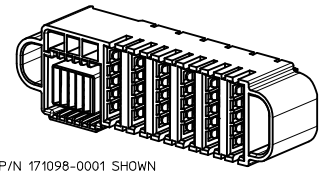
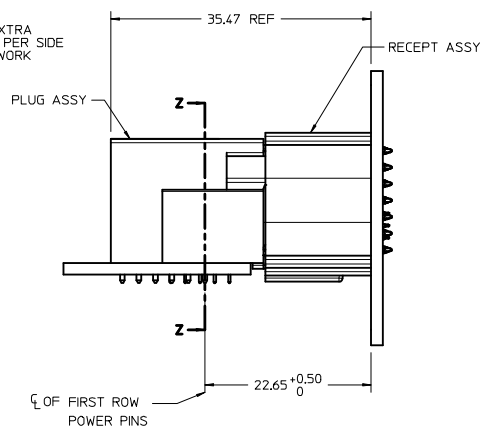
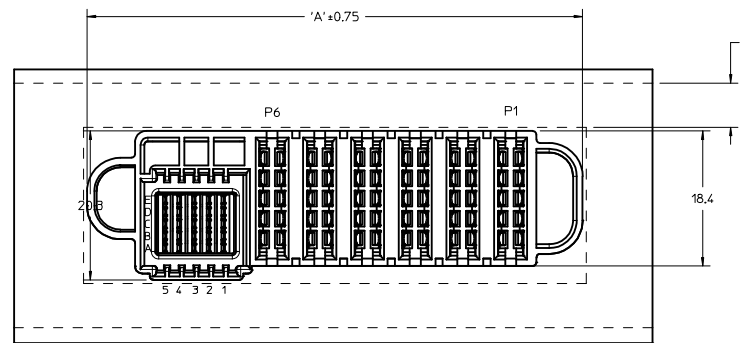
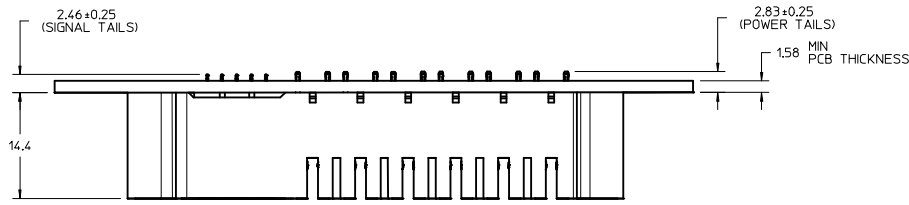


- NOTE:
- MATERIAL:
    - HOUSINGS: LCP UL94, V-0, COLOR: BLACK
    - TERMINALS: COPPER ALLOY
    - PLATING: 1.27 MICROMETER (50 MICROINCH) NICKEL OVERALL WITH 2.54 MICROMETER (100 MICROINCH) SELECTIVE TIN ON TAILS AND 0.762 MICROMETER (30 MICROINCH) SELECTIVE GOLD ON CONTACT AREA
  - PACKAGING: ASSEMBLIES TO BE TRAY PACKED PER PACKAGING SPEC; SEE TABLE
  - PLATED THRU HOLE SIZE, REFER TO PS-171097-1000 FOR DETAILS
  - PRODUCT SPEC: PS-171097-1000
  - APPLICATION SPEC: AS-171097-0001
  - PRODUCT TO MEET RoHS REQUIREMENTS
  - FOR MATING PARTS SEE PLUG ASSEMBLY SD-171097-0001
  - TAIL DESIGN: COMPLIANT PIN
  - POWER AND SIGNAL CONTACTS ARE LUBRICATED

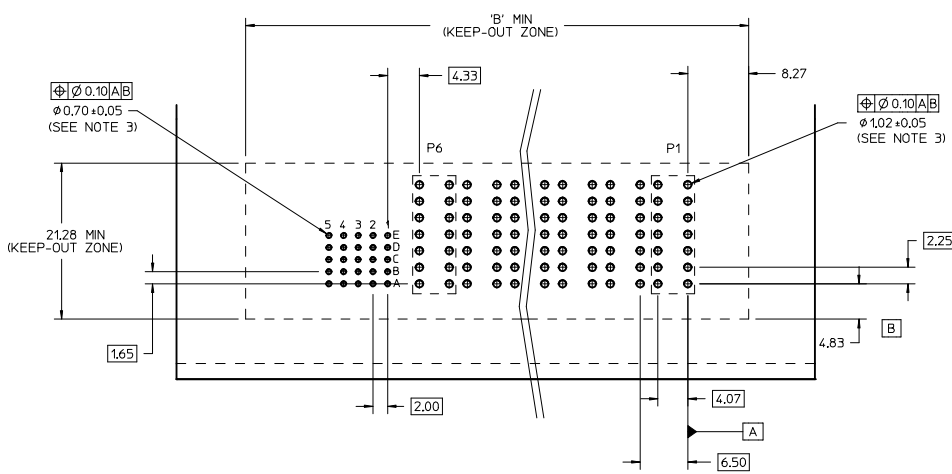
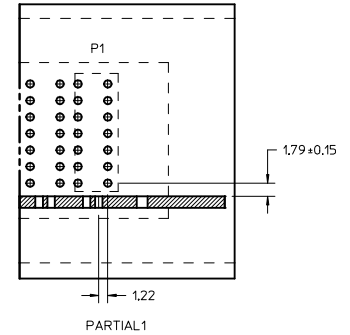
RECOMMENDED PCB LAYOUT AND KEEP-OUT ZONE  
(PCB LAYOUT FOR 6P CONNECTOR SHOWN AS REFERENCE)

|   |                 |  |   |  |              |                        |
|---|-----------------|--|---|--|--------------|------------------------|
| ADD PK SPEC<br>IEC NO. UCP2017-0856<br>DRAWN/COH 2016/10/18<br>CHKD/CWCHAN 2016/11/07<br>APPR/KHLIM 2016/11/15<br>A2<br>REV | QUALITY SYMBOLS | GENERAL TOLERANCES (UNLESS SPECIFIED)                | DIMENSION STYLE   | SCALE  | DESIGN UNITS | THIRD ANGLE PROJECTION |
|   | ▽=0             | mm INCH  | MM ONLY   | 3:1  | METRIC       | ☉                      |
|   | ▽=0             | 4 PLACES ±--- ±---                                   | DRAWN BY DATE   | TITLE  |              |                        |
|   | ▽=0             | 3 PLACES ±--- ±---                                   | BPI/SZCZOR 2013/06/25   | VERT RECEPTACLE ASSY<br>STANDARD LAYOUTS<br>ENERGETIC POWER FAMILY |              |                        |
|   | ANGULAR ±1/2°   | DRAFT WHERE APPLICABLE MUST REMAIN WITHIN DIMENSIONS | APPROVED BY DATE  | DOCUMENT NO.   |              |                        |
|   |                 |  | APATEL 2013/12/12   | SD-171098-0001   |              |                        |
|   |                 |  | MATERIAL NO.  | SHEET NO.  |              |                        |
|   |                 |  | SEE CHART   | 1 OF 1   |              |                        |
|   |                 |  | THIS DRAWING CONTAINS INFORMATION THAT IS PROPRIETARY TO MOLEX INCORPORATED AND SHOULD NOT BE USED WITHOUT WRITTEN PERMISSION |  |              |                        |

| PACKAGING SPEC | PART NUMBER | # OF POWERS | DIM 'A' | DIM 'B' | # OF SIGNALS |
|----------------|-------------|-------------|---------|---------|--------------|
| PK-171098-0100 | 171098-0001 | 6           | 67.50   | 68.50   | 25           |
| PK-172186-0002 | 171098-0002 | 4           | 54.50   | 55.50   |              |
| PK-172186-0002 | 171098-0003 | 2           | 41.50   | 42.50   |              |



P/N 171098-0001 SHOWN



- NOTE:
- MATERIAL:
    - HOUSINGS: LCP UL94, V-0, COLOR: BLACK
    - TERMINALS: COPPER ALLOY
    - PLATING: 1.27 MICROMETER (50 MICROINCH) NICKEL OVERALL WITH 2.54 MICROMETER (100 MICROINCH) SELECTIVE TIN ON TAILS AND 0.762 MICROMETER (30 MICROINCH) SELECTIVE GOLD ON CONTACT AREA
  - PACKAGING: ASSEMBLIES TO BE TRAY PACKED PER PACKAGING SPEC; SEE TABLE
  - PLATED THRU HOLE SIZE, REFER TO PS-171097-1000 FOR DETAILS
  - PRODUCT SPEC: PS-171097-1000
  - APPLICATION SPEC: AS-171097-0001
  - PRODUCT TO MEET RoHS REQUIREMENTS
  - FOR MATING PARTS SEE PLUG ASSEMBLY SD-171097-0001
  - TAIL DESIGN: COMPLIANT PIN
  - POWER AND SIGNAL CONTACTS ARE LUBRICATED

RECOMMENDED PCB LAYOUT AND KEEP-OUT ZONE

(PCB LAYOUT FOR 6P CONNECTOR SHOWN AS REFERENCE)

|   |                 |  |   |  |                |                        |
|---|-----------------|--|---|--|----------------|------------------------|
| ADD PK SPEC<br>IEC NO. UCP2017-0856<br>DRAWN/CCH 2016/10/18<br>CHKD/CWCHAN 2016/11/07<br>APPR/KHLIM 2016/11/15<br>A2<br>REV | QUALITY SYMBOLS | GENERAL TOLERANCES (UNLESS SPECIFIED)                | DIMENSION STYLE   | SCALE  | DESIGN UNITS   | THIRD ANGLE PROJECTION |
|   | ▽=0             | mm INCH  | MM ONLY   | 3:1  | METRIC         | ☉                      |
|   | ▽=0             | 4 PLACES ±--- ±---                                   | DRAWN BY DATE   | TITLE  |                |                        |
|   | ▽=0             | 3 PLACES ±--- ±---                                   | BPI/SZCZOR 2013/06/25   | VERT RECEPTACLE ASSY<br>STANDARD LAYOUTS<br>ENERGETIC POWER FAMILY |                |                        |
|   | ANGULAR ±1/2°   | DRAFT WHERE APPLICABLE MUST REMAIN WITHIN DIMENSIONS | APPROVED BY DATE  | MATERIAL NO.   | DOCUMENT NO.   | SHEET NO.              |
|   |                 |  | APATEL 2013/12/12   | SEE CHART  | SD-171098-0001 | 1 OF 1                 |
|   |                 |  | THIS DRAWING CONTAINS INFORMATION THAT IS PROPRIETARY TO MOLEX INCORPORATED AND SHOULD NOT BE USED WITHOUT WRITTEN PERMISSION |  |                |                        |