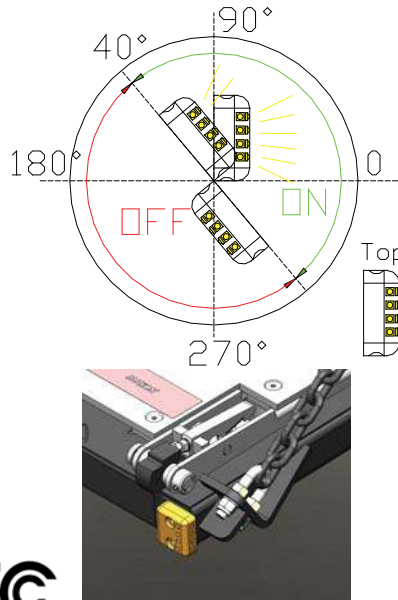


Rectangular Flashing Safety Light - 40° Tilt Activated, Fully Sealed
Part Number : RBM-40
Product Data Sheet

PICTURE

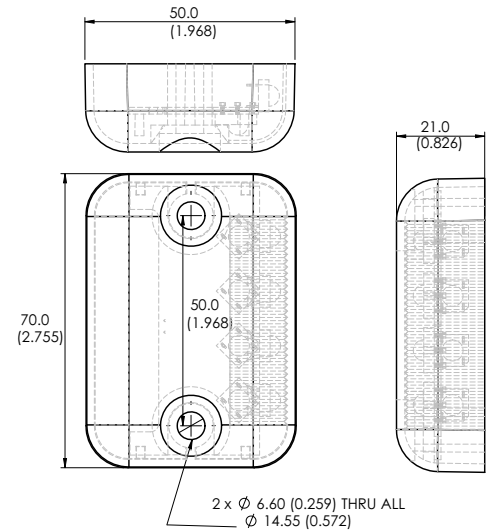


ACTIVATION



Reccomended
Mounting position

DIMENSIONS



Drawings not to scale

SPECIFICATION

Activation Angle	Degree	220° - 20°
Battery Life		Up to 5 years (under normal conditions)
Number of LED'S		8 total - 4 per side
Operating Temperature	Celcius	-20° to 85° (-50°min, flash rate increased & lifetime reduced)
Flash Rate	Pulse/min	60 at 20°
Battery Voltage (non replaceable)	Volts	3.6
Fixing Holes		2 x 6.6mm (50mm centres)
IP Rating		68
Material		Resin filled Polycarbonate Shell

Applications Include

- Tail Lift / Ramp Safety Warning.
- Lorry Outrigger indication.
- Fork Lift Safety Warning.
- Hazardous Obstruction Warning.

Options

- Colour: Standard Amber
- Other colours available, please enquire.
- Customer specific activation angle and pulse rate.
- Number of LEDS / grouped led angles.
- If you do not see what you need, jusk ask, as there is a strong possibility we can do it !

Did you know we also sell?



Rev. No.

Revision Note

Date

Signature

0

Data sheet

22-11-12

ML



ISO 9001:2008
Certificate No. FM21080

As part of the company policy of continued product improvement, specifications may change without notice. Our sales office will be pleased to help you with the latest information on this product range and the details of our full design and manufacturing service. All products are supplied to our standard conditions of sale unless otherwise agreed in writing.

Phone : +44 (0)1255 862236

www.comuseurope.co.uk

Fax: +44 (0)1255 862014