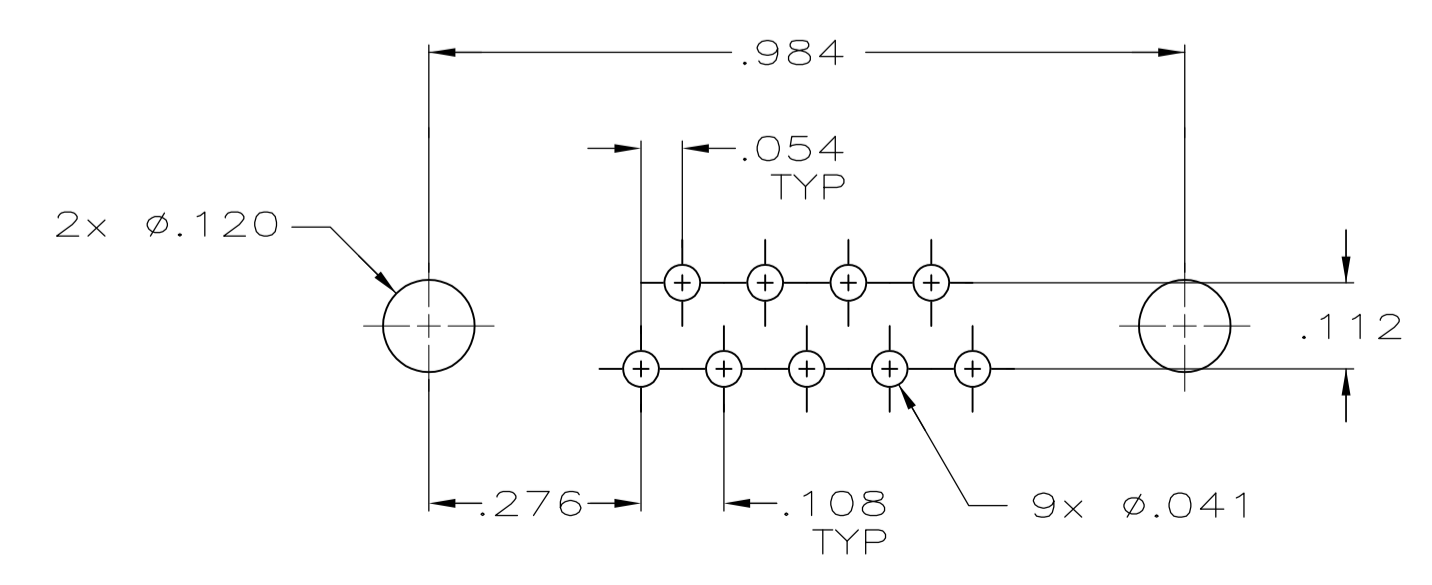
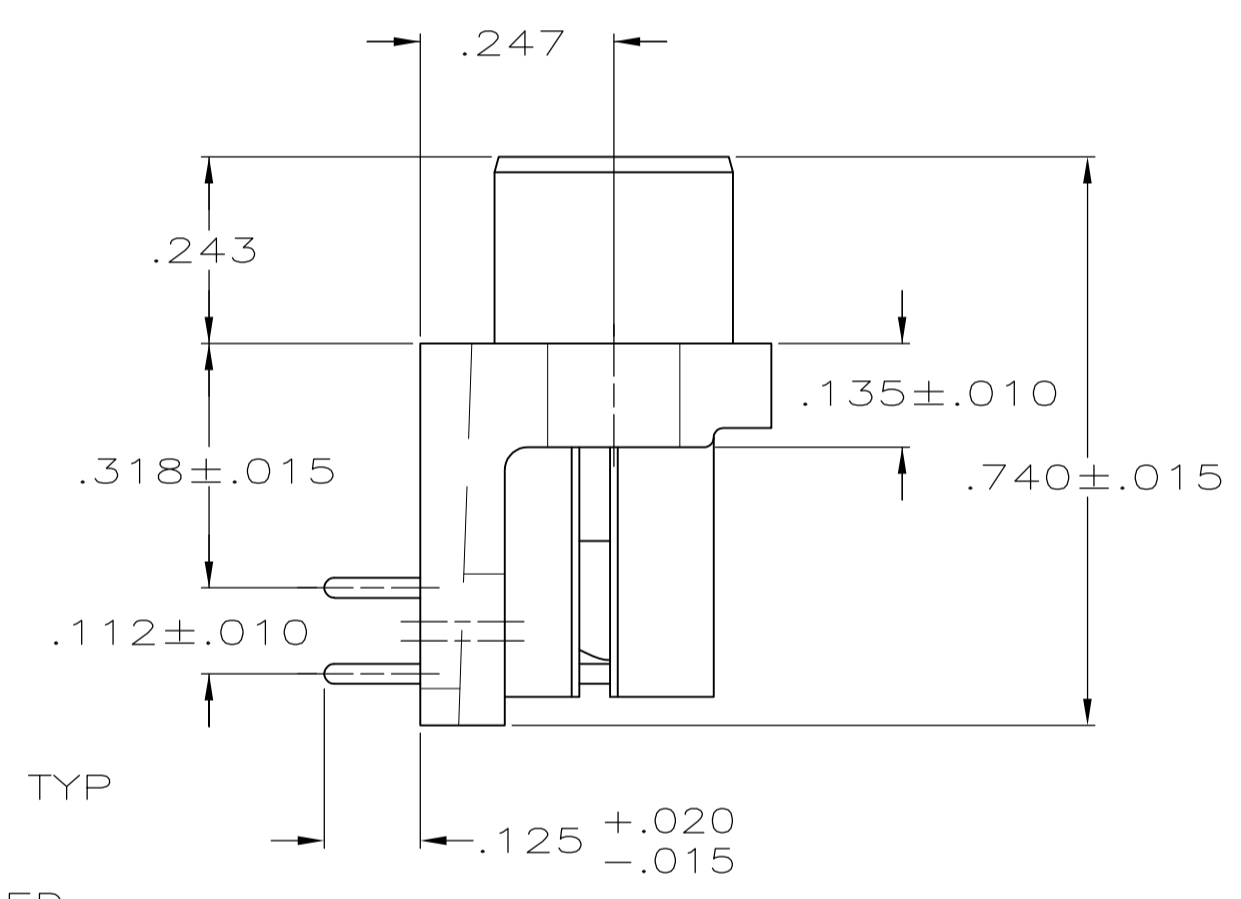
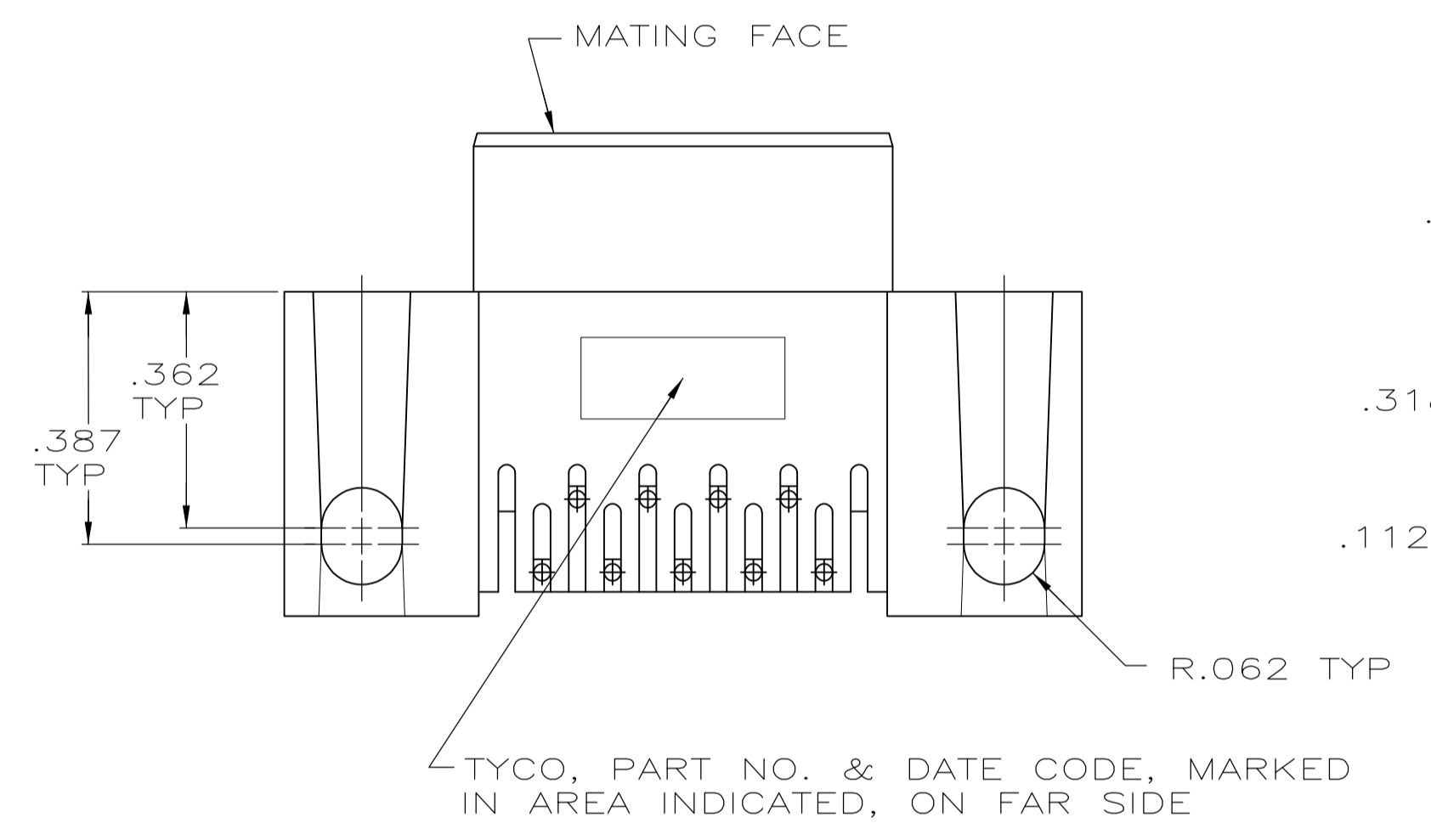
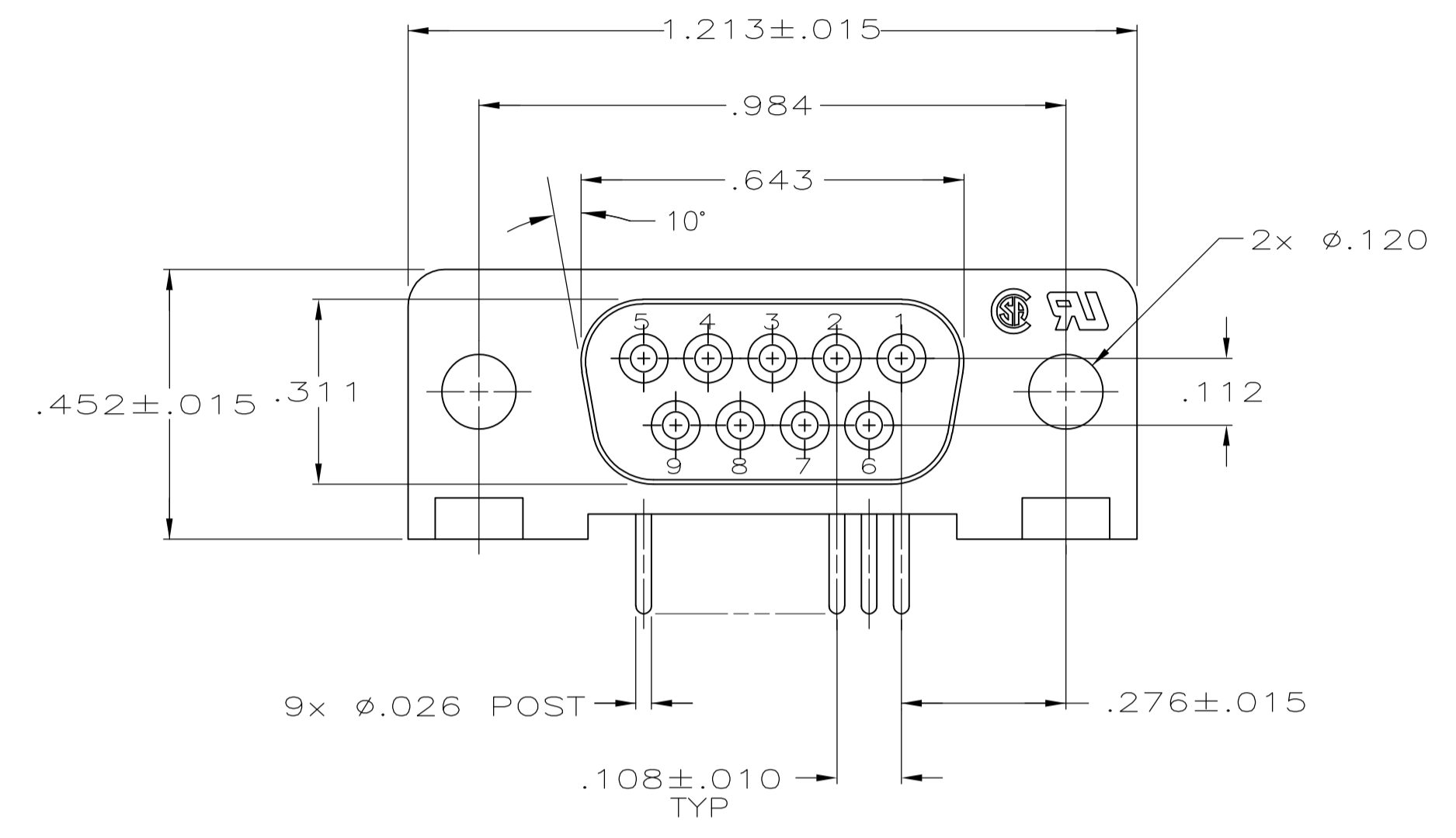


LOC		DIST		REVISIONS			
P	LTR	DESCRIPTION	DATE	DN	APVD		
P		REVISED PER ECO-11-004835	11MAR11	RK	HMR		



- 1 HOUSING: FLAME RETARDANT, 94V-0 RATED, GLASS FILLED NYLON OR POLYESTER, COLOR: BLACK.
CONTACTS: PHOS. BRONZE.
- 2 REFER TO APPLICATION SPEC FOR RECOMMENDED P.C. BOARD MOUNTING DIMENSIONS FOR AUTOMATIC INSERTION.
- 3 CONTACTS: PLATED WITH GOLD FLASH FOR LENGTH OF .055 MIN FROM MATING END, .000100 MIN TIN ON SOLDER END, ALL OVER .000050 MIN NICKEL ON ENTIRE CONTACT.

5745131-1
PART NUMBER

**COPYRIGHT 2005
TE CONNECTIVITY CORP
ALL RIGHTS RESERVED**

THIS DRAWING IS A CONTROLLED DOCUMENT.		DIN G. PETERS 14SEP05	TE Connectivity	
DIMENSIONS: INCHES		CHK S. BOLASH 14SEP05	NAME	
TOLERANCES UNLESS OTHERWISE SPECIFIED:		APPD M. WALMSLEY 14SEP05	RECEPTACLE ASSY, SIZE 1, 9 POSN, RIGHT ANGLE, .318 SERIES, .026 DIA POSTS, AMPLIMITE HD-20	
0. PLC ± -		PRODUCT SPEC	108-40025	
1. PLC ± -		APPLICATION SPEC	114-40015	
2. PLC ± -		SIZE	A1	
3. PLC ± .005		WEIGHT	000779	
4. PLC ± -		SCALE	4:1	
ANGLES ± °		RESTRICTED TO	-	
MATERIAL	FINISH	CUSTOMER DRAWING	SHEET	1 OF 1
			REV	P