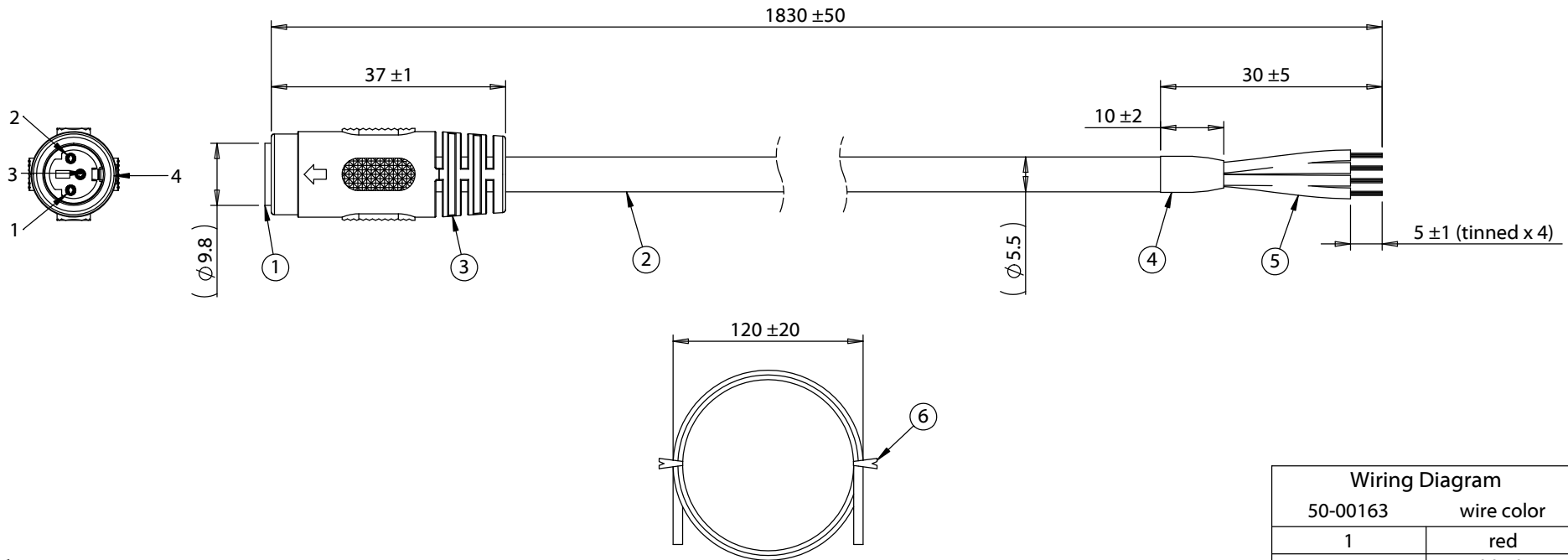


ITEM NO.	PART NUMBER	DESCRIPTION	QTY.	COMPONENT NOTES
1	50-00163	Connector, 3P mini DIN female, molding style, brass, nickel plating	1	
2	30-00023	Wire, 3C, 20 AWG, UL2464, 300 V, 80 C, 5.5 mm, shielded, VW-1, PVC, 79A	1	
3	24-00070	Overmold, jack, mini-DIN	1	black
4	Heat Shrink	Heat shrink tube, Ø 6.0, 105° C, L=10 ±2 mm	1	black
5	Heat Shrink	Heat shrink tube, Ø 1.0, 105° C, L=30 ± 5 mm	1	black, covers drain wire
6	Tie	Twist tie	2	black



Notes:
Functionally equivalent components may be substituted

Electrical requirement: 2 A, 12 Vdc

Wiring Diagram	
50-00163	wire color
1	red
2	black
3	white
4	drain/black

Revision:	Date:	Description:	Prepared: GL <small>Digitally signed by GL Date: 2017.06.07 15:52:25 -07'00'</small>	Notes:	<h1>TENSILITY</h1> <p>tel 1.541.323.3228 800 877.670.7118 fax 1.541.323.4202 web tensility.com</p>
A	3/08/2011	Initial release	Verified: AW <small>Digitally signed by AW Date: 2020.09.21 11:26:47 -07'00'</small>	RoHS and REACH compliant	
A1	6/06/2017	Corrected DIN pin numbering	Dimensions are in millimeters. Tolerances: X: ± 0.5 mm X.X: ± 0.3 mm X.XX: ± 0.05 mm	Function test: no open, no short circuit, no intermittent	
				Description: Cable, 1830 mm, 3P mini-DIN female 50-00163, to stripped tinned, 20 AWG, UL2464 30-00023, shielded	
			Size:	Part number:	
			A	10-00426	
			Scale: 1:1		Sheet 1 of 1