

# Precision Test Adapters

## 1.85 mm(M) to 2.4 mm(F) : Right Angle type

withwave

Versatile RF & MW Test Solutions

**Withwave's Precision Test Adapters** are designed based on precision microwave interconnection technologies. This 1.85 mm(M) to 2.4 mm(F) **Right Angle adapter** is manufactured to precise microwave specifications and constructed with male gender on side 1 and female gender on side 2. The precision microwave connector interfaces ensure an excellent microwave performance up to 40 GHz



### ■ Features

- Frequency range : DC to 50 GHz
- VSWR(Max) : 1.3 : 1
- Body : Stainless steel (passivated)

### ■ Specification

Scope	Specification	AD01M02FR1
Electrical	Impedance(Ohm)	50
	Operation Freq.(GHz)	DC to 50 GHz
	VSWR (Max)	1.30 : 1
Material	Dielectric	Special dielectric
	Center Contact	BeCu with gold plated
	Body	Passivated Stainless Steel

\* RoHS Compliant

# Precision Test Adapters

## 1.85 mm(M) to 2.4 mm(F) : Right Angle type

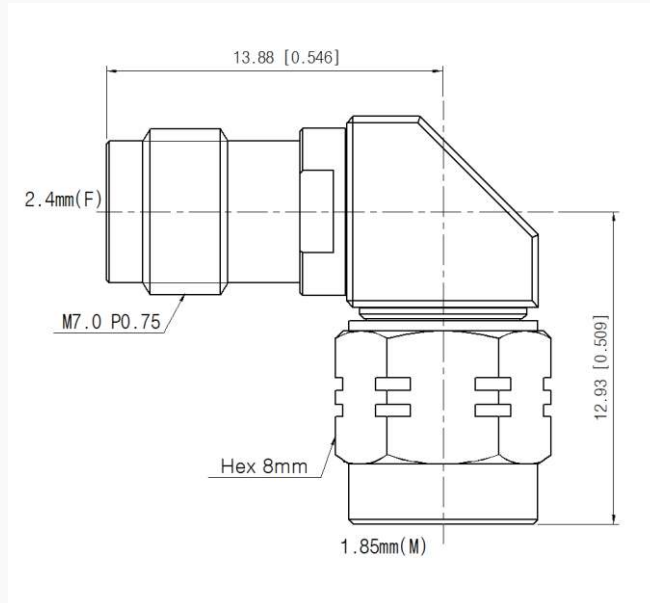
**withwave**

Versatile RF & MW Test Solutions

### ■ Drawing

**Part No.: AD01M02FR1**

Unit : mm[inch]



### ■ Test Result

▪ Frequency : 10 MHz to 50 GHz

