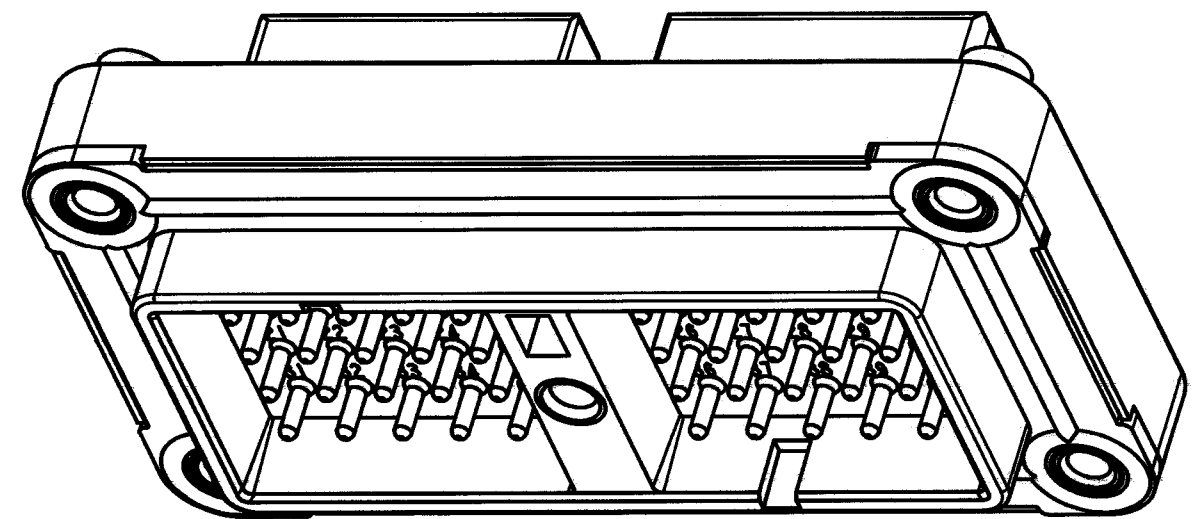
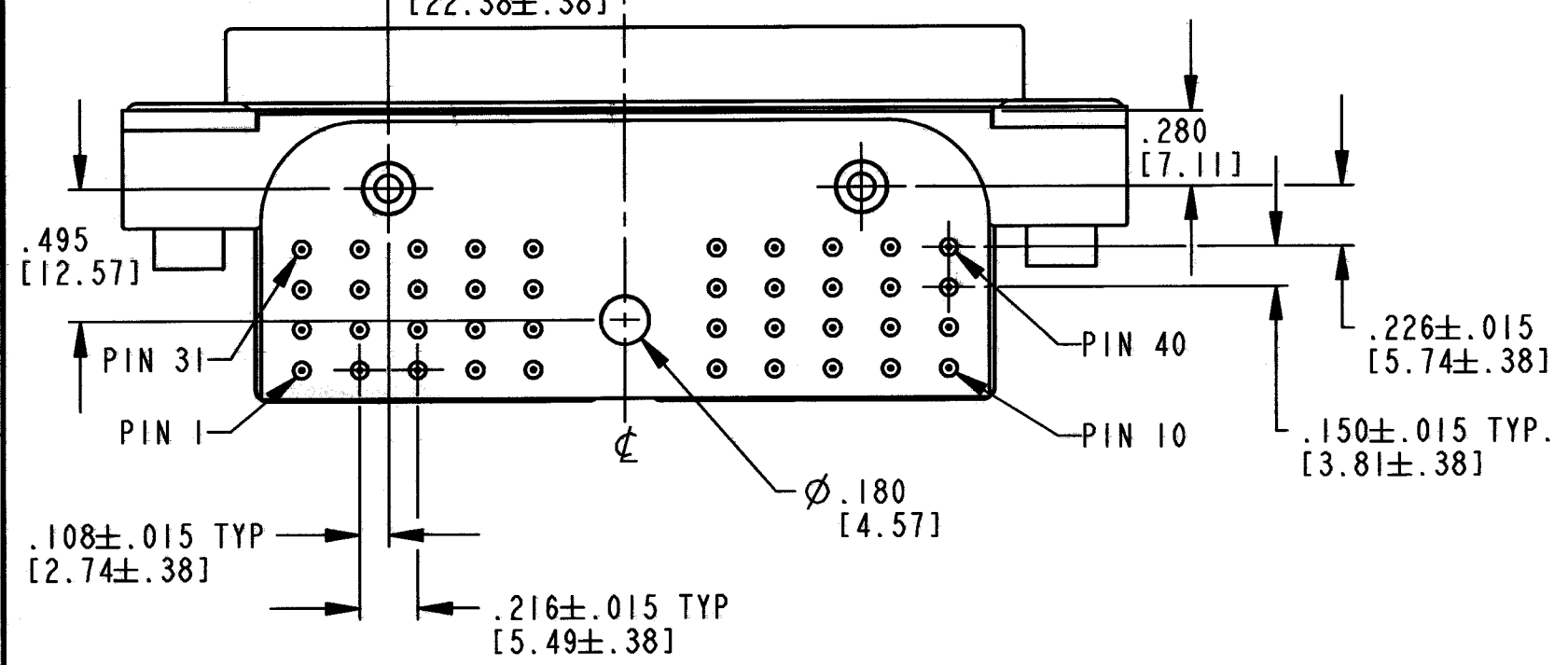
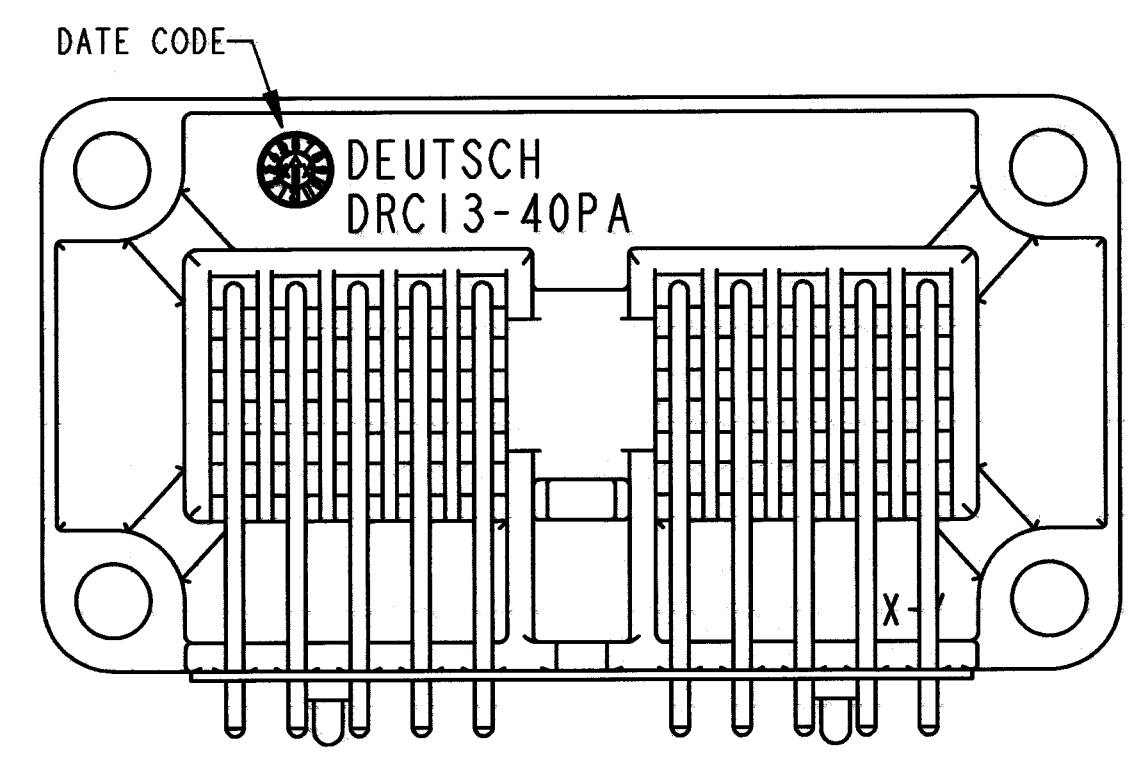
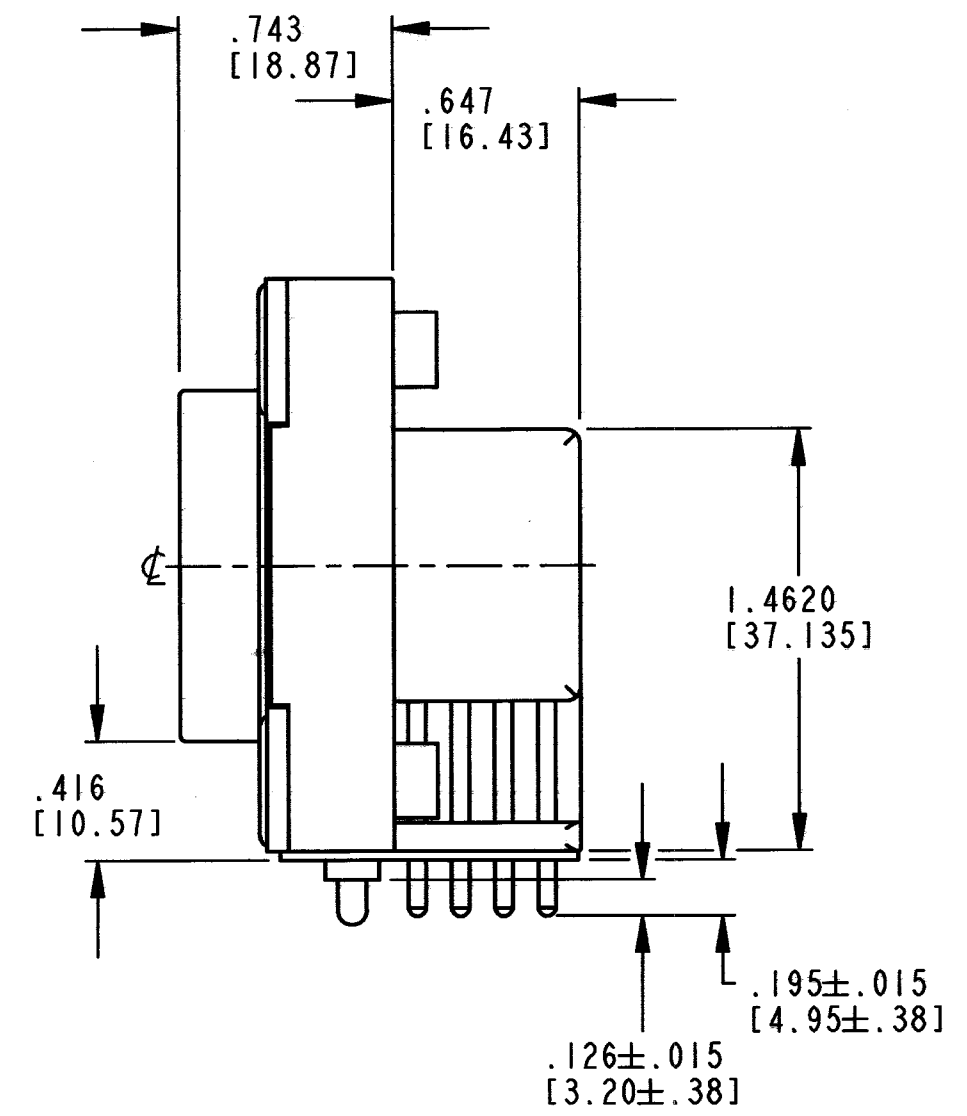
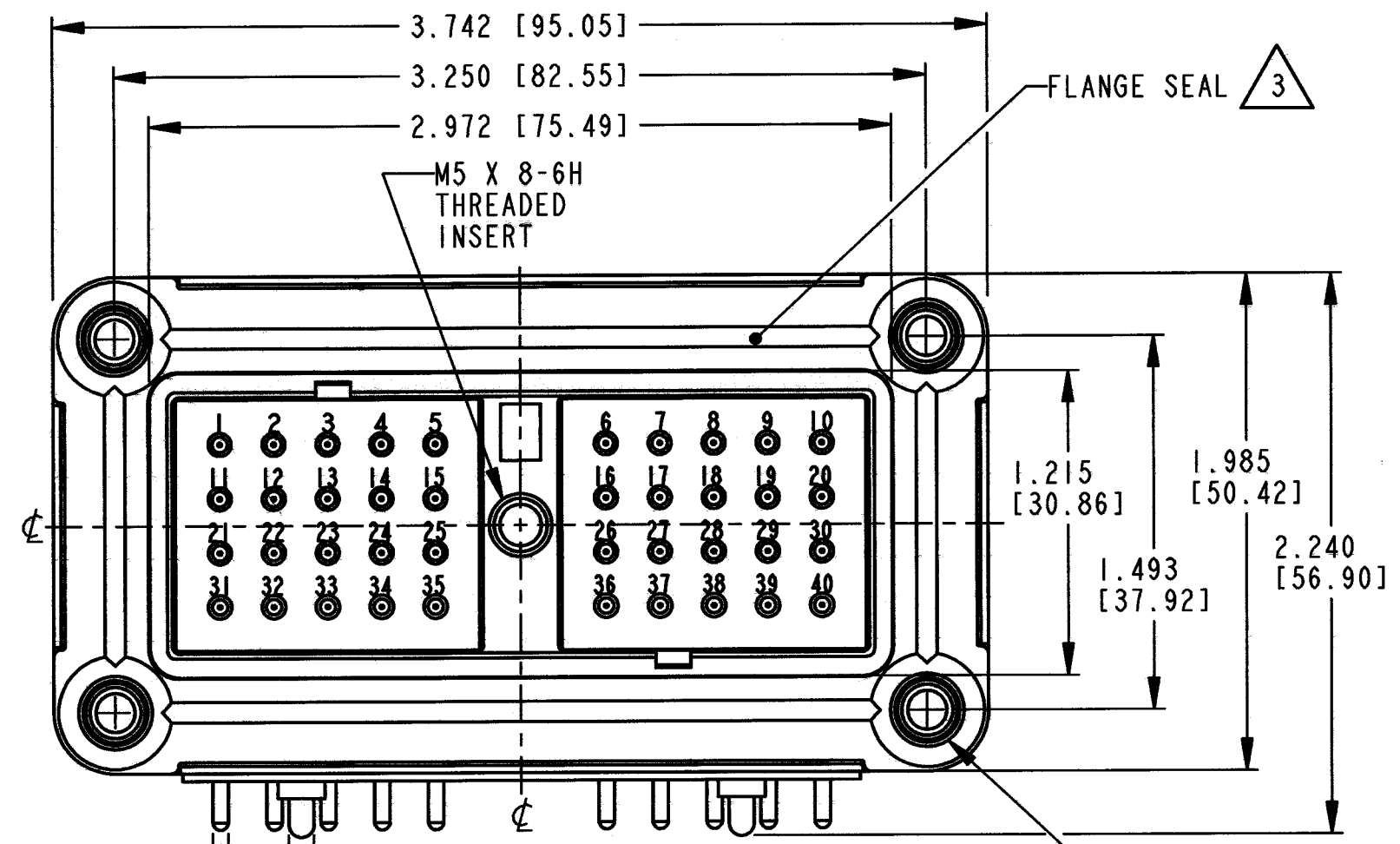


REV B DRC13-40P*

| REVISIONS | | | |
|-----------|-----------------------------|----------|----------|
| SYM | DESCRIPTION | DATE | APPROVED |
| NC | NEW RELEASE PER E.O. P17162 | 4-4-01 | R.D.R. |
| A | REVISED PER E.O. P18693 | 9-20-04 | R.D.R. |
| B | REVISED PER E.O. P21166 | 10-28-11 | RDP |



3D VIEW

- 10 SURFACE FINISH: 32 RMS OR BETTER; \square .005 [0.12].
- 9 RECOMMENDED SCREW: #10-32UNF-2A THREAD MACHINE SCREW TORQUE: 20-25 IN-LB [2.26-2.83 NM].
- 8. SEE SHEET 2 FOR OTHER KEY ARRANGEMENTS.
- 7. THIS RECEPTACLE MATES WITH DRC16-40S(E)-**** & DRC18-40S*-**** PLUG (*=A,B,C,D KEYS; ****=ALL MODIFICATIONS).
- 6 CONTACT PLATING - MATING & PCB SIDE: TIN.
- 5. MATERIAL - PLASTIC (BLACK); INSERTS: STEEL/BRASS; SEAL: RUBBER.
- 4. RECEPTACLE IS SUPPLIED WITH DUST CAP (NOT SHOWN).
- 3 FLANGE SEAL (0513-014-4006) IS SHIPPED WITH RECEPTACLE.
- 2. DIMENSION TOLERANCE: ±.025 [0.64]; PANEL CUTOUT: ±.010 [0.25].
- 1. DIMENSIONS ARE IN INCHES [mm].

NOTES: UNLESS OTHERWISE SPECIFIED

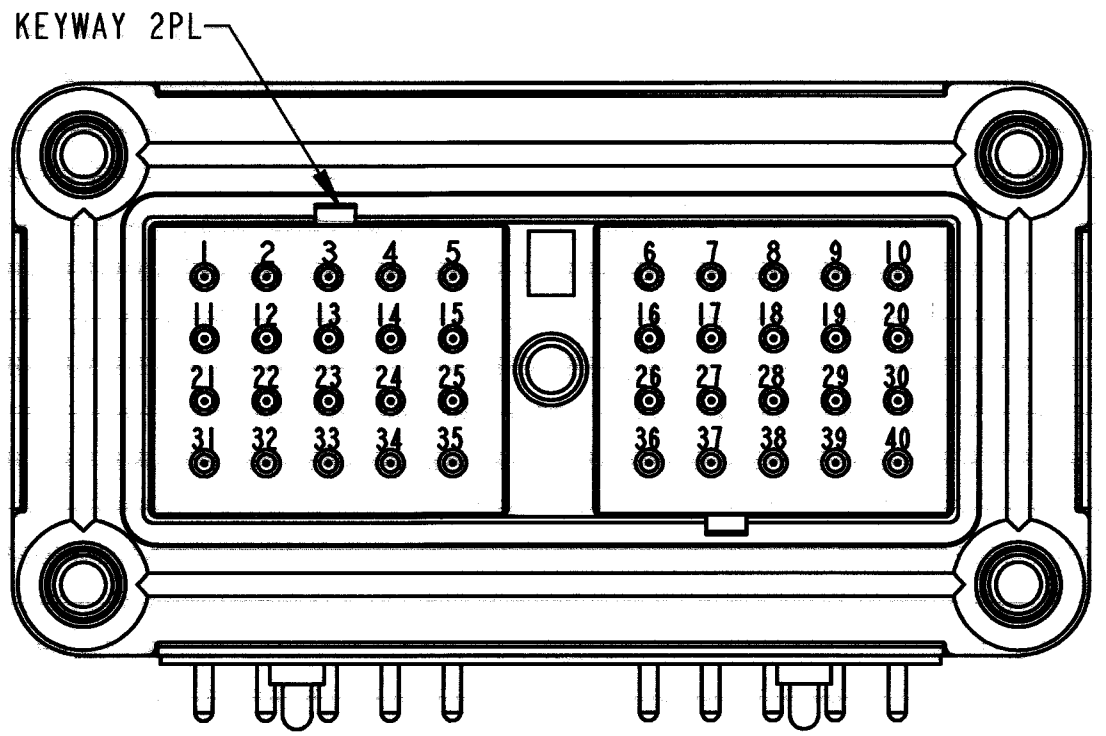
| SIGNATURE & DATE | |
|------------------|--------------------------|
| DR | J. APOSTOL 23FEB2001 |
| CHK | John C. Apostol 10/24/11 |
| PE | D. Hasibuan 10/25/11 |
| APPD | D. Meyer 10/25/11 |
| SCALE | NONE |

RECEPTACLE
40 #16 SIZE CONTACTS
KEY ARRANGEMENTS
A, B, C & D
DRC SERIES
ENVELOPE

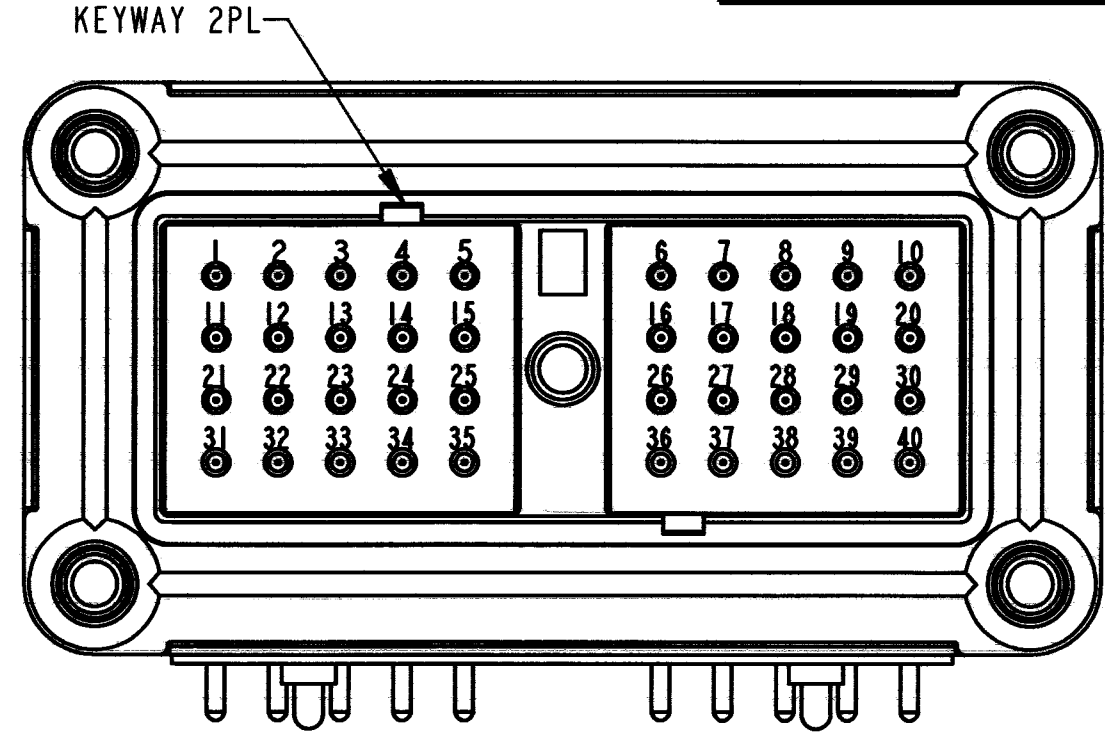
| MATERIAL CODE | |
|--------------------|---|
| EP | 3850 INDUSTRIAL AVE. HEMET, CA 92545 |
| DEUTSCH INDUSTRIAL | |
| C | DRC13-40P* |
| DWG SIZE | CODE 11139 SHEET 1 OF 2 |

REV B DRC13-40P*

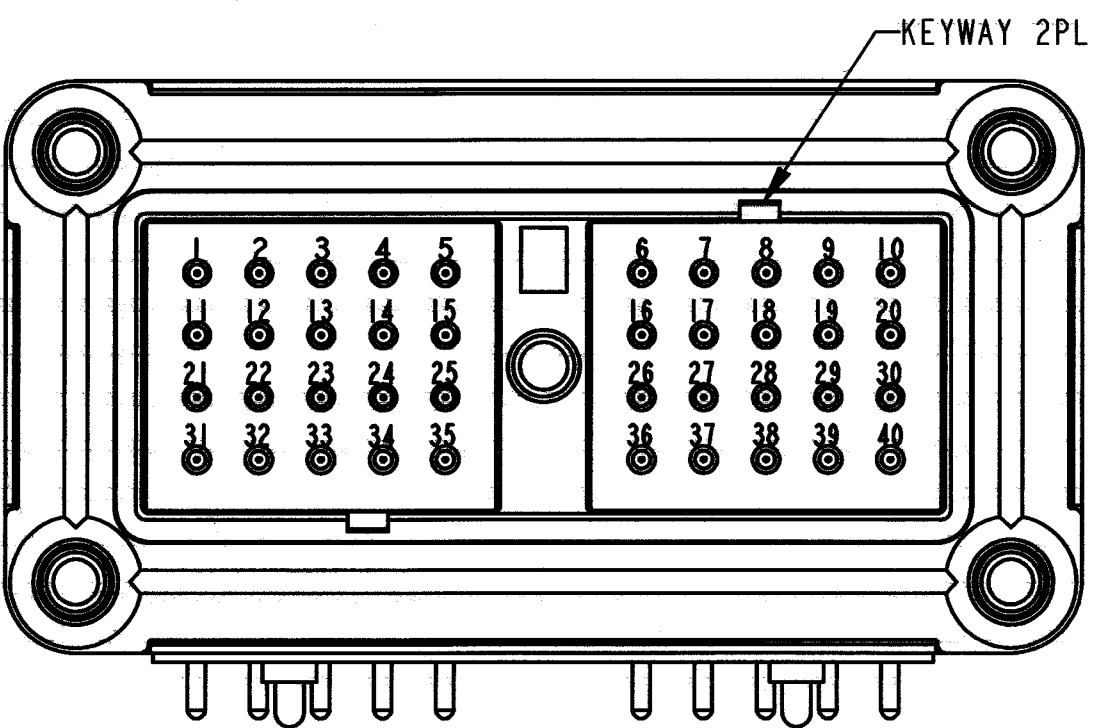
| REVISIONS | | | |
|-----------|-------------|----------|----------|
| SYM | DESCRIPTION | DATE | APPROVED |
| B | SEE SHEET 1 | 10-28-11 | RDR |
| | | | |
| | | | |



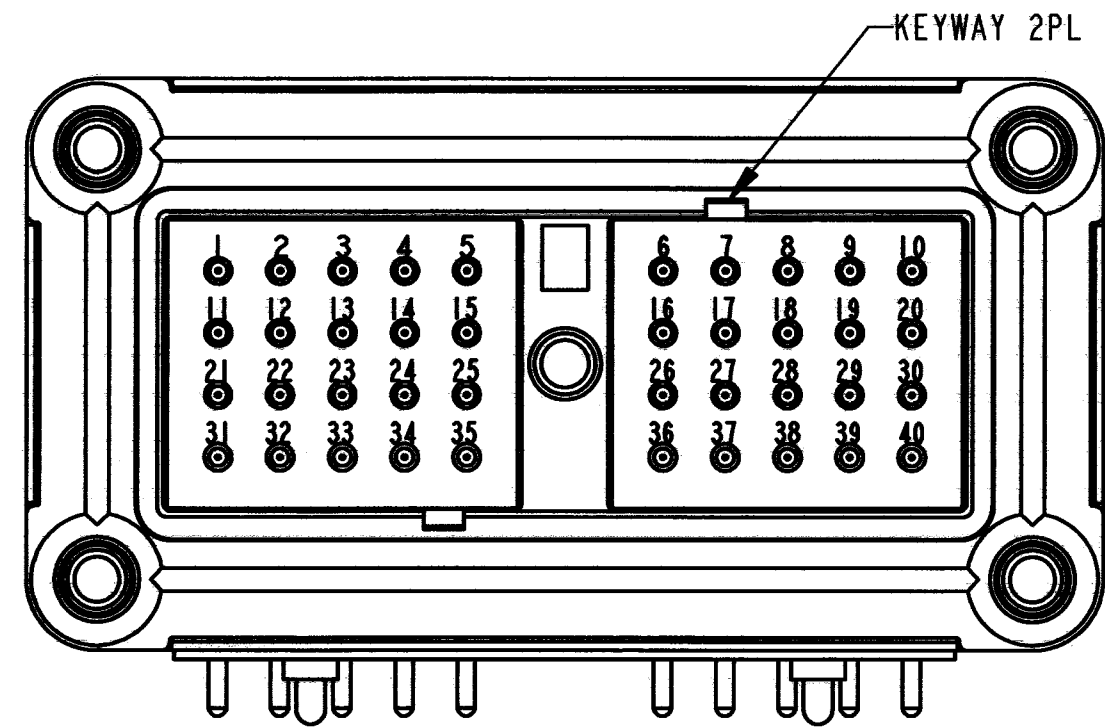
ARRANGEMENT -A-
DRC13-40PA



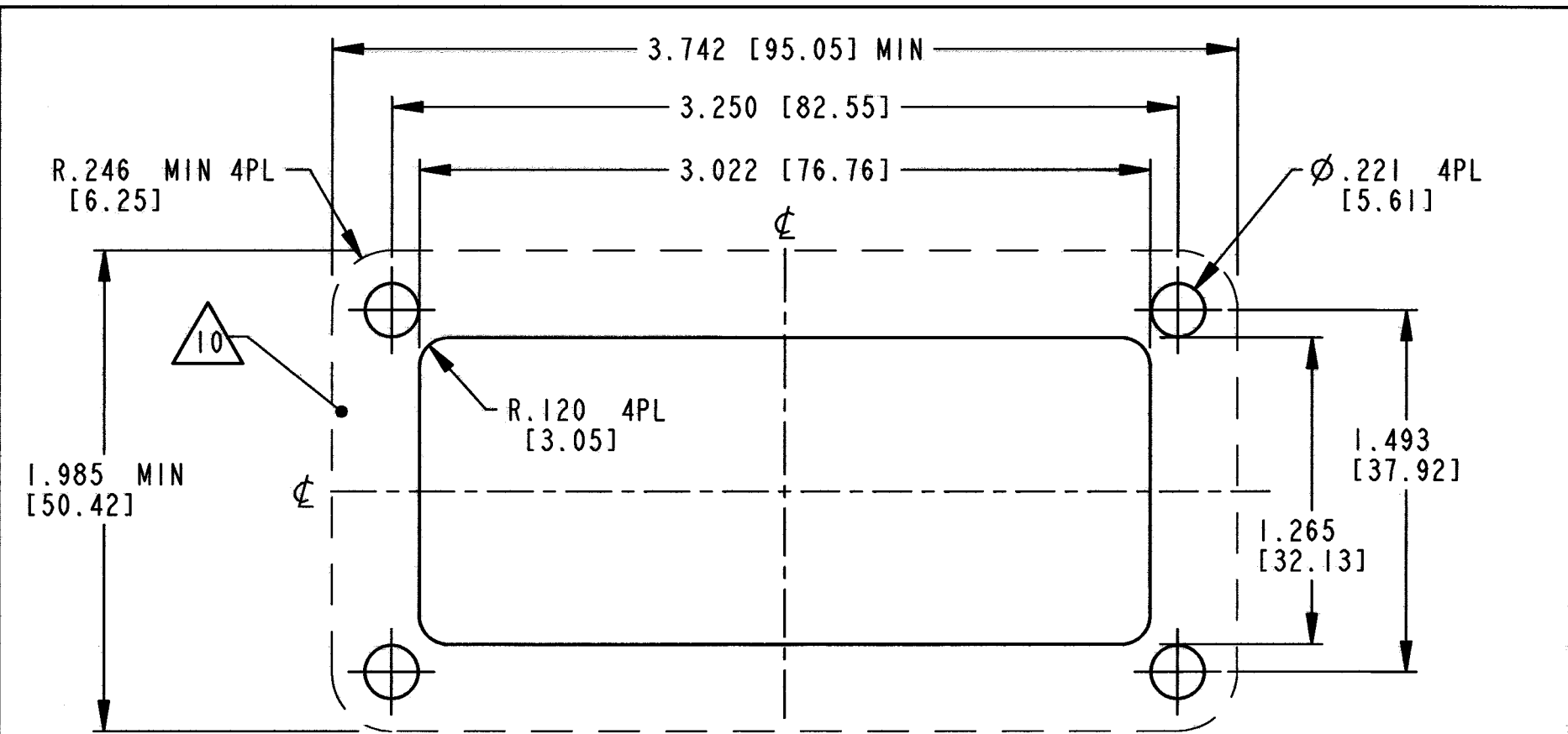
ARRANGEMENT -C-
DRC13-40PC



ARRANGEMENT -B-
DRC13-40PB



ARRANGEMENT -D-
DRC13-40PD



RECOMMENDED PANEL CUTOUT

NOTES:

| SIGNATURE & DATE | |
|------------------|--------------------------|
| DR | J. APOSTOL 23FEB2001 |
| CHK | Jami C. Apostol 10/25/11 |
| PE | D. Hasibuan 10/25/11 |
| APPD | D. Hasibuan 10/25/11 |
| SCALE | NONE WT |

RECEPTACLE
40 #16 SIZE CONTACTS
KEY ARRANGEMENTS
A, B, C & D
DRC SERIES
ENVELOPE

| | |
|---|-------------------------|
| EP | MATL. CODE |
| 3850 INDUSTRIAL AVE. HEMET, CA 92545 | |
| DEUTSCH INDUSTRIAL | |
| C | DRC13-40P* |
| DWG SIZE | CODE 11139 SHEET 2 OF 2 |