

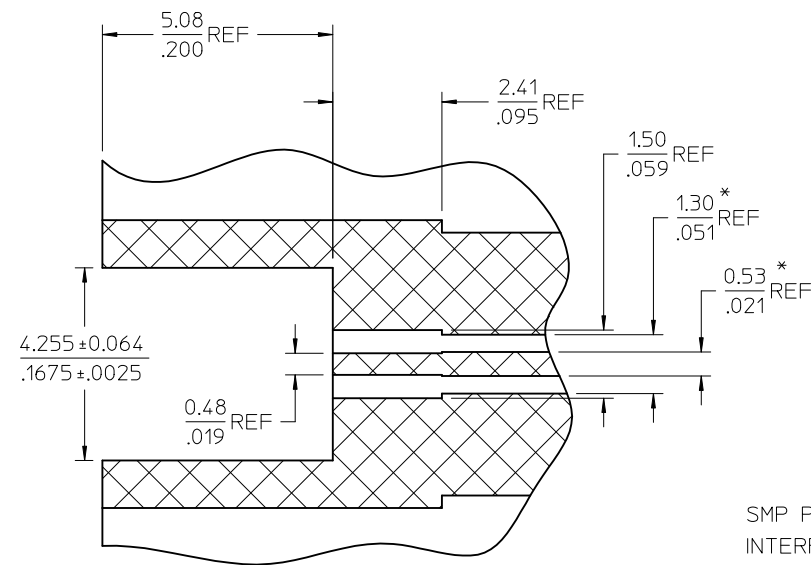
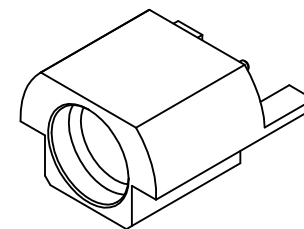
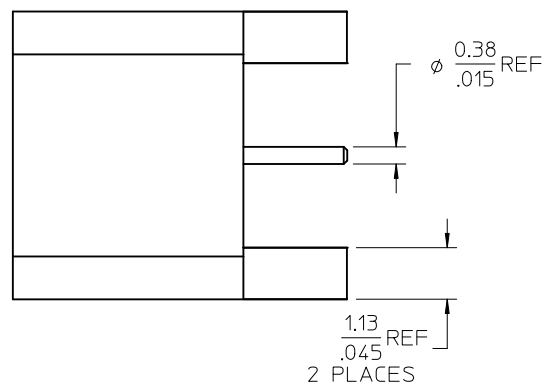
MATERIALS AND FINISHES

BODY BRASS
PLATED GOLD

CENTER CONTACT BRASS
PLATED GOLD

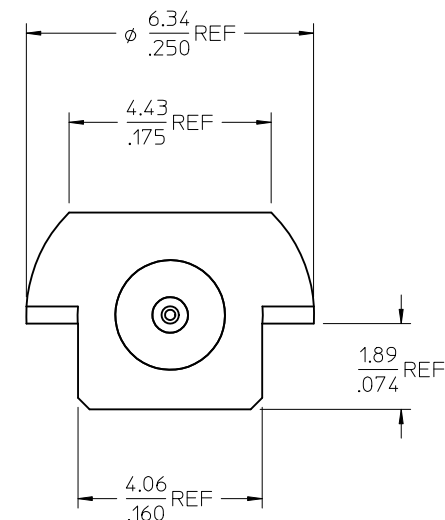
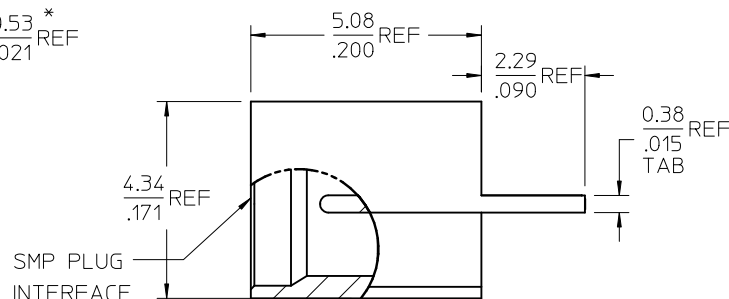
INSULATOR TEFLON

QUANTITY IN TAPE: 1250 COMPONENTS



RECOMMENDED PCB LAYOUT

* DIMENSIONS APPLICABLE FOR ROGERS 4350
PCB MATERIAL ONLY



| | |
|---------------|-----------------------|
| PS-89675-3320 | PRODUCT SPECIFICATION |
| SPECIFICATION | DESCRIPTION |

| | |
|------------|-------------|
| 73415-5741 | ONE PER BAG |
| 73415-5740 | TAPE & REEL |
| PART NO. | PACKAGING |

CHG: ADD -5741
EC NO: URF2012-0435
DRWN:JWIENER 2012/01/30
CHKD:SSS 2012/01/30
APPR:JWIENER 2012/01/31

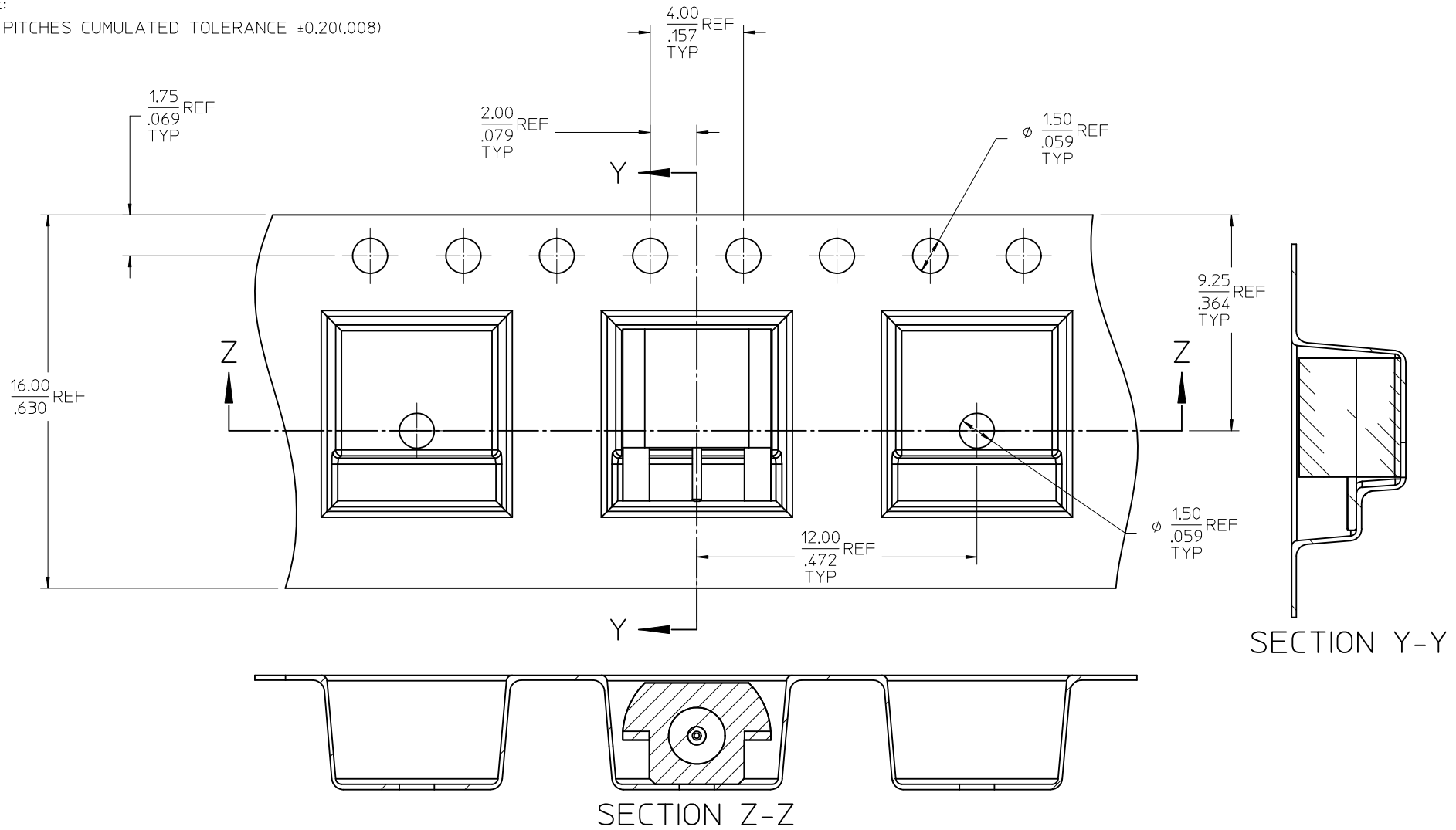
QUALITY SYMBOLS
▽=0
▽=0

| GENERAL TOLERANCES (UNLESS SPECIFIED) | |
|--|---------|
| | mm INCH |
| 4 PLACES ± | ± |
| 3 PLACES ± | ± |
| 2 PLACES ± | ± |
| 1 PLACE ± | ± |
| ANGULAR ± 2 ° | |
| DRAFT WHERE APPLICABLE MUST REMAIN WITHIN DIMENSIONS | |

| DIMENSION STYLE | |
|-----------------|--------------|
| MM/IN | |
| DRAWN BY | DATE |
| TEF | 2005/12/16 |
| CHECKED BY | DATE |
| SSS | 2005/12/16 |
| APPROVED BY | DATE |
| JDW | 2005/12/16 |
| MATERIAL NO. | DOCUMENT NO. |
| SEE TABLE | SD-73415-574 |

| | | |
|---|--------------|------------------------|
| SCALE | DESIGN UNITS | THIRD ANGLE PROJECTION |
| | METRIC | |
| TITLE | | |
| SMP PLUG, EDMOUNT SMOOTH BORE, 50 OHMS EWR-2977 SMP-BP/PCB | | |
| MOLEX INCORPORATED | | |
| SHEET NO. | | 1 OF 2 |
| THIS DRAWING CONTAINS INFORMATION THAT IS PROPRIETARY TO MOLEX INCORPORATED AND SHOULD NOT BE USED WITHOUT WRITTEN PERMISSION | | |

NOTE:
1. 10 PITCHES CUMULATED TOLERANCE $\pm 0.20(.008)$



| | | | | | | | | | |
|--|---|---|--|--|--|---|------------------------|------------------------|--|
| CHG: SEE SHEET 1 EC NO: URF2012-0435 DRWN: JWIENER 2012/01/30 CHKD: SSS 2012/01/30 APPR: JWIENER 2012/01/31 | QUALITY SYMBOLS $\nabla=0$ $\nabla=0$ | GENERAL TOLERANCES (UNLESS SPECIFIED) | | DIMENSION STYLE MM/IN | | SCALE | DESIGN UNITS METRIC | THIRD ANGLE PROJECTION | |
| | | | | | | | | | |
| | | | | | | | | | |
| | | | | | | | | | |
| B2 | DESCRIPTION | 4 PLACES \pm --- \pm --- 3 PLACES \pm --- \pm --- 2 PLACES \pm --- \pm --- 1 PLACE \pm --- \pm --- | | DRAWN BY DATE TEF 2005/12/16 CHECKED BY DATE SSS 2005/12/16 APPROVED BY DATE JDW 2005/12/16 | | TITLE SMP PLUG, EDMOUNT SMOOTH BORE, 50 OHMS EWR-2977 SMP-BP/PCB | | MOLEX INCORPORATED | |
| | | ANGULAR $\pm 2^\circ$ | | MATERIAL NO. SEE SHEET 1 | | DOCUMENT NO. SD-73415-574 | | SHEET NO. 2 OF 2 | |
| DRAFT WHERE APPLICABLE MUST REMAIN WITHIN DIMENSIONS | | SIZE C | | THIS DRAWING CONTAINS INFORMATION THAT IS PROPRIETARY TO MOLEX INCORPORATED AND SHOULD NOT BE USED WITHOUT WRITTEN PERMISSION | | | | | |