

# LED Area Light

Zoho Series



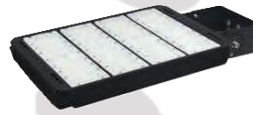
300W



**U-Bracket**  
110792



**Slip Fitter**  
110799



**Yoke Mount**  
150026



**Straight Arm**  
110794



**Photocell**  
110786

## Features

- Phillip Chip
- DLC Premium listed
- Up to 130 lumens per watt
- Meanwell HLG Series Drive
- Available in Slip fitter, Straight Arm, U Bracket and Yoke Mount
- Fits any application

## Advantage

- No UV or IR in the beam
- Easy to install and operate
- Energy saving, long lifespan
- Light is soft and uniform safe to eyes
- Instant start NO flickering, NO humming
- Green and Eco-friendly without mercury

## Recommended Use

- Security
- Streets / Parking Lots
- Outdoor Basketball / Tennis Courts
- Football Field / School Playground, Stadium
- Wide Open Areas

## Input Voltage

- 100-277 Vac 50/60Hz
- 480 Vac Optional

## Qualification



**BEYOND**<sup>®</sup>  
LED TECHNOLOGY

# LED Area Light

## Zoho Series

### Product

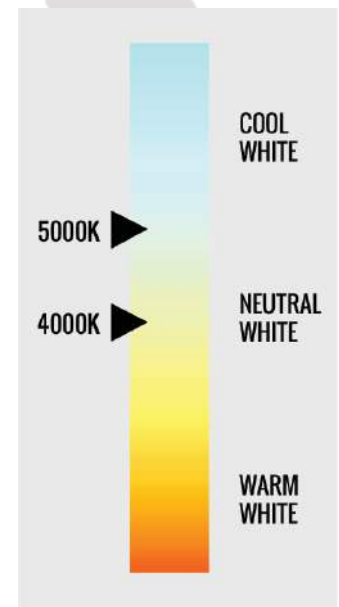
<b>PRODUCT NAME</b>	LED Area Light ZOHO Series
<b>SKU #</b>	150936
<b>MODEL #</b>	BLT-PSB-300WCT3

### Specifications

<b>COLOR TEMPERATURE</b>	4000K
<b>CCT OPTIONS</b>	4000K & 5700K
<b>LUMEN</b>	36900LM
<b>CONSUMPTION</b>	300W
<b>VIEWING ANGLE</b>	85°-150°
<b>INPUT VOLTAGE</b>	100-277Vac 50/60Hz
<b>DRIVER MODEL</b>	HLG-100-48B ( 1-10Vdc Dimmer )
<b>POWER FACTOR</b>	>0.9
<b>WATERPROOF RATING</b>	IP65

<b>LED BRAND</b>	Philips Lumileds
<b>LED TYPE</b>	Luxeon 3030 2D (1.5W)
<b>LED QUANTITY</b>	280 PCS
<b>HOUSING</b>	Aluminum Alloy
<b>HOUSING COLOR</b>	Black or Bronze
<b>OPTIONAL ACCESSORY</b>	Photocell / Surge Protector

CORRELATED  
COLOR TEMPERATURE  
(CCT)



### Others

OPERATING TEMPERATURE	APPLICATION	CRI	BEAM ANGLE	DIMMABLE
-20° TO 45°	Outdoor	>70	85°-150°	Yes

### Warranty & Qualification

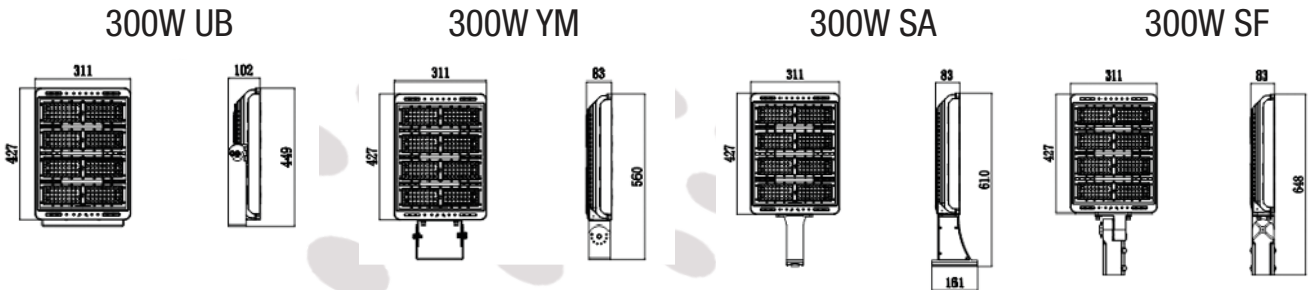
WARRANTY	UL LISTED	DLC
10 Year Limited	Yes	Yes

Due to continuous product improvement, information in this document is subject to change.  
 Revision Date: 05/22/2019  
 1939 Parker Ct Suite C Stone Mountain, GA 30087 | Phone: (866) 786-1117 |  
[www.beyondledtechnology.com](http://www.beyondledtechnology.com)

# LED Area Light

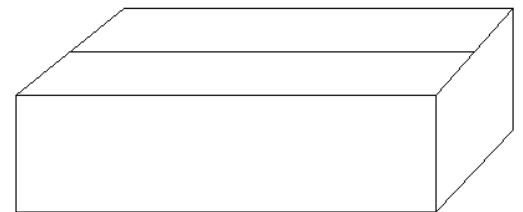
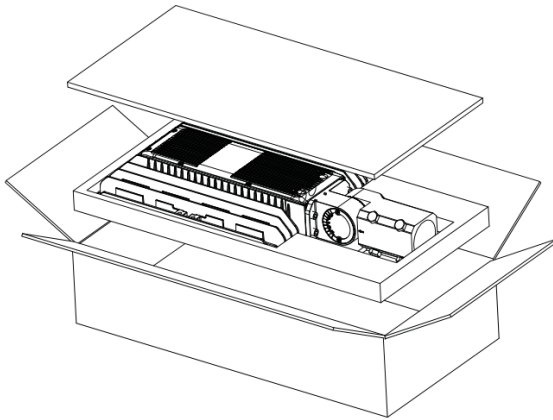
Zoho Series

## Drawing



## Package

BOX	Lamps Net Weight	SIZE	QTY / CARTON	Weight/Carton
Outer Box UB	24.5 lbs	22" x 17.7" x 4"	1	26 lbs
Outer Box YM	23 lbs	22" x 12.2" x 3.3"	1	24.5 lbs
Outer Box SA	23.8 lbs	24.4" x 12.2" x 7.4"	1	25.3 lbs
Outer Box SF	23.5 lbs	25.5" x 12.2" x 3.3"	1	25 lbs



## Notice For User

- Please turn off power before install or change assembly parts.
- The input voltage and lamps should be matched, after connecting the power line, Please make sure the wiring section is insulated
- Licensed Electrician Installation ONLY.

Due to continuous product improvement, information in this document is subject to change.  
 Revision Date: 05/22/2019  
 1939 Parker Ct Suite C Stone Mountain, GA 30087 | Phone: (866) 786-1117 |  
[www.beyondledtechnology.com](http://www.beyondledtechnology.com)

# ZOHO 2nd Gen Series

## Light Distribution Testing Parameters

DATA OF LAMP		PHOTOMETRIC DATA <span style="float: right;">Eff: 132.41 lm/W</span>			
MODEL	BLT-PSB-300WCT3	I <sub>max</sub> (cd)	13850	S/MH (C0/180)	1.74
NOMINAL POWER (W)	240	LOR (%)	100.0	S/MH (C90/270)	0.78
RATED VOLTAGE (V)	300	TOTAL FLUX (lm)	31167	η UP, DN (C0-180)	0.0, 68.4
NOMINAL FLUX (lm)	31166.6	CIE CLASS	DIRECT	η UP, DN (C180-360)	0.0, 31.6
LAMPS INSIDE	1	η up (%)	0.0	CIBSE SHR NOM	1.50
TEST VOLTAGE (V)	300	η down (%)	100.0	CIBSE SHR MAX	1.55

