

1 2 3 4 5 6 7 8

F

F

E

E

D

D

C

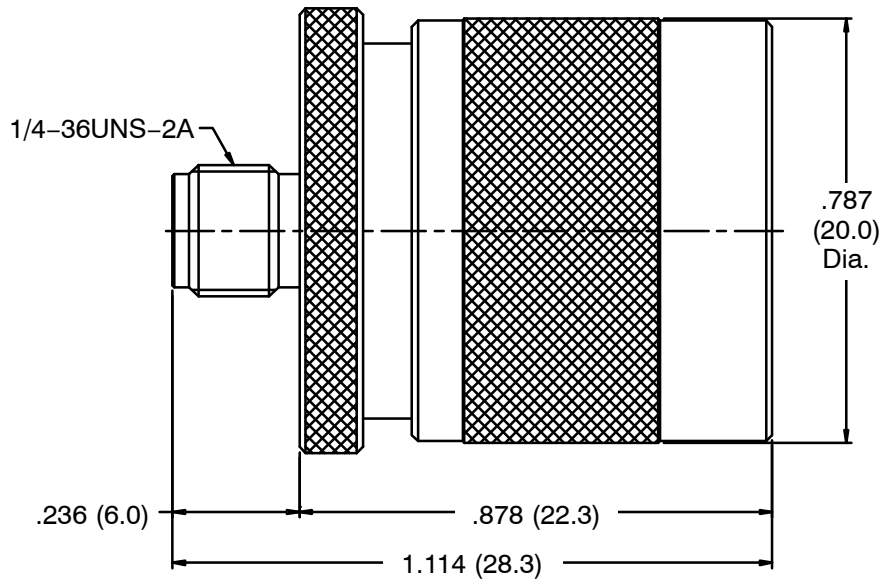
C

B

B

A

A



NOTES: Finish (Plating Thickness in Micro-inches)
 1. Brass
 2. Nickel Pl. 100 Min Thick over Copper Pl. 50 Min. Thick
 3. Phosphor Bronze
 4. Gold Pl. 3 Min Thick over Nickel Pl. 50 Min. Thick over Copper Pl. 50 Min. Thick
 5. Teflon

RoHS Compliant

Dimensions are in Inches										Part No.		NTE Electronics	
Unless Otherwise Specified Tolerances										Approved			
0.5-6 = ±0.2										Checked		Date	
6-30 = ±0.4										Drawn		Date	
30-120 = ±0.6												Title	
120-315 = ±1												SMA Female to N Male Adapter	
315-1000 = ±1.6												Drawing No.	
1000-2000 = ±2.4												06-N016	
No. Description Material Finish Q'ty Drawing No. Scale 3/1 Issue A1												File No.	

1 2 3 4 5 6 7 8