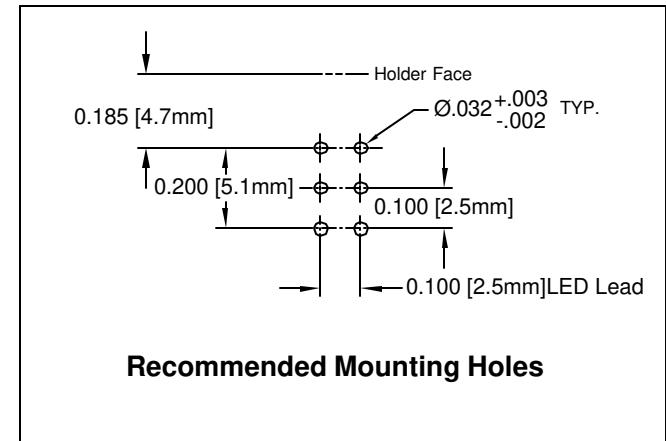
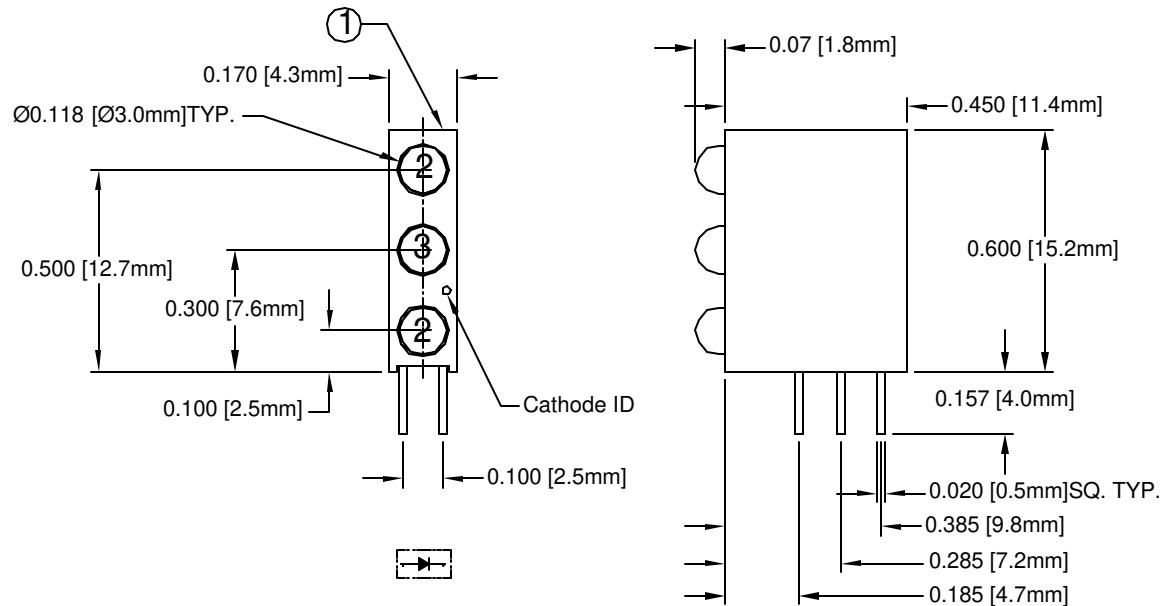


ITEM	QTY	PART NUMBER	PART DESCRIPTION
1	1	H-311C	T-1 (3mm) Tri-Level LED Holder
2	2	3YD-201	T-1 (3mm) Non-Flange LED
3	1	3GD-201	T-1 (3mm) Non-Flange LED

REV.	DESCRIPTION	DATE	APPROVED
A	Engineering Release.	01/03/07	M. C.



LED Part No.	Chip			Lens Appearance	Absolute Maximum Ratings				Electro-Optical Data @ 20mA			Viewing Angle (Deg)
	Material	Peak Wave Length $\lambda_p$ (nm)	Emitted Color		$\Delta\lambda$ (nm)	Pd (mW)	If (mA)	Peak If (mA)	Vf (V)		Iv (mcd)	
									Typ.	Max.	Typ.	
3YD-201	GaAsP/GaP	585	YELLOW	DIFFUSED	35	80	30	150	2.1	2.6	20	45
3GD-201	GaP/GaP	565	GREEN	DIFFUSED	30	80	30	150	2.2	2.6	30	45

## ABSOLUTE MAXIMUM RATINGS (Ta = 25°C)

REVERSE VOLTAGE \_\_\_\_\_ 5V  
 REVERSE CURRENT (VR=5V) \_\_\_\_\_ 100  $\mu$ A  
 OPERATING TEMPERATURE RANGE \_\_\_\_\_ -25°C ~ 85°C  
 STORAGE TEMPERATURE \_\_\_\_\_ -30°C ~ 100°C  
 LEAD SOLDERING TEMPERATURE (1/16" FROM BODY) \_\_\_\_\_ 260°C for 5 Seconds

STANDARD TOLERANCE (UNLESS OTHERWISE SPECIFIED)		BIVAR®	
DECIMALS	ANGULAR	4 THOMAS, IRVINE, CA. 92618 TEL: (949) 951-8808 FAX: (949) 951-3974	
.X $\pm$ .1	X° $\pm$ 1°	<b>TITLE:</b> T-1 (3mm) Tri-Level LED Assembly <b>PART NO.:</b> H310CYGYD <b>REVISION:</b> A	
.XX $\pm$ .02			
.XXX $\pm$ .010			
DESIGNED: <b>Sonny Dam</b>	DATE: <b>01/03/07</b>	<b>PART NO.:</b> H310CYGYD	<b>REVISION:</b> A
CHECKED: <b>D. Beckman</b>	DATE: <b>01/03/07</b>	<b>CAGE CODE :</b> 32559	<b>SHEET #</b> 1 OF 1
CAD GENERATED DOCUMENT. DO NOT MEASURE DRAWING.			