



Connectors > PCB Connectors > Wire-to-Board Connectors > Wire-to-Board Connector Assemblies & Housings



Connector Product Type: **Housing**

Connector & Housing Type: **Receptacle**

Connector System: **Wire-to-Board**

Number of Positions: **2**

Centerline (Pitch): **2.54 mm [ .1 in ]**

### Features

#### Product Type Features

Connector Product Type	Housing
Connector & Housing Type	Receptacle
Connector System	Wire-to-Board
Connector & Contact Terminates To	Wire & Cable

#### Configuration Features

Number of Positions	2
Number of Rows	1

#### Electrical Characteristics

Operating Voltage	250 VAC
-------------------	---------

#### Body Features

Primary Product Color	Green
-----------------------	-------

#### Contact Features

Contact Layout	Inline
Contact Type	Socket
Contact Current Rating (Max)	3 A

#### Termination Features

Termination Method to Wire & Cable	Crimp
------------------------------------	-------



### Mechanical Attachment

Strain Relief	With
Mating Retention Type	Lock
Mating Retention	With
Connector Mounting Type	Cable Mount (Free-Hanging)

### Housing Features

Housing Entry Configuration	Both Ends Closed
Housing Material	PA 6.6
Centerline (Pitch)	2.54 mm[.1 in]

### Dimensions

	.11 in
Row-to-Row Spacing	2.54 mm[.1 in]

### Usage Conditions

Operating Temperature Range	-65 – 105 °C[-85 – 221 °F]
-----------------------------	----------------------------

### Operation/Application

Circuit Application	Signal
---------------------	--------

### Industry Standards

Glow Wire Rating	Standard Part - Not Glow Wire
UL Flammability Rating	UL 94V-0

### Packaging Features

Packaging Quantity	100
--------------------	-----

### Product Compliance

[For compliance documentation, visit the product page on TE.com>](#)

EU RoHS Directive 2011/65/EU	Compliant
EU ELV Directive 2000/53/EC	Compliant
China RoHS 2 Directive MIIT Order No 32, 2016	No Restricted Materials Above Threshold
EU REACH Regulation (EC) No. 1907/2006	Current ECHA Candidate List: JUNE 2023 (235) Candidate List Declared Against: JAN 2023 (233) Does not contain REACH SVHC
Halogen Content	Not Low Halogen - contains Br or Cl > 900 ppm.

Solder Process Capability

Not applicable for solder process capability

Product Compliance Disclaimer

This information is provided based on reasonable inquiry of our suppliers and represents our current actual knowledge based on the information they provided. This information is subject to change. The part numbers that TE has identified as EU RoHS compliant have a maximum concentration of 0.1% by weight in homogenous materials for lead, hexavalent chromium, mercury, PBB, PBDE, DBP, BBP, DEHP, DIBP, and 0.01% for cadmium, or qualify for an exemption to these limits as defined in the Annexes of Directive 2011/65/EU (RoHS2). Finished electrical and electronic equipment products will be CE marked as required by Directive 2011/65/EU. Components may not be CE marked. Additionally, the part numbers that TE has identified as EU ELV compliant have a maximum concentration of 0.1% by weight in homogenous materials for lead, hexavalent chromium, and mercury, and 0.01% for cadmium, or qualify for an exemption to these limits as defined in the Annexes of Directive 2000/53/EC (ELV). Regarding the REACH Regulation, the information TE provides on SVHC in articles for this part number is based on the latest European Chemicals Agency (ECHA) 'Guidance on requirements for substances in articles' posted at this URL: <https://echa.europa.eu/guidance-documents/guidance-on-reach>

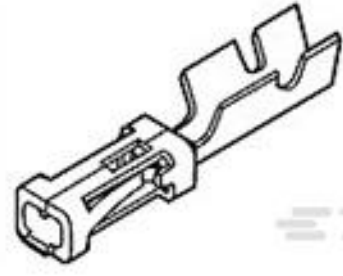
### Compatible Parts



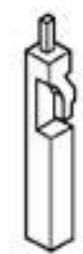
TE Part # 825433-2  
MOD 2 PINHDR 1X2 P.



TE Part # 826926-2  
AMPMODU II PIN HEADER



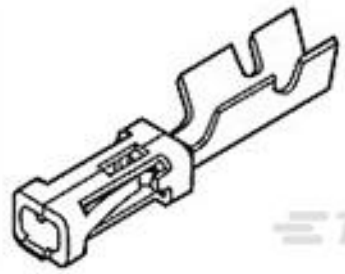
TE Part # 1-141708-1  
MOD IV RECEPTACLE, CRIMP SNAP IN, LP



TE Part # 926519-2  
KEYING PLUG



TE Part # 141708-1  
MOD-4 REC.CONT.SCP.



TE Part # 167021-2  
MOD-4 REC.CONT.SCP.



TE Part # 167301-4  
MOD-4 REC.CONT.SCP



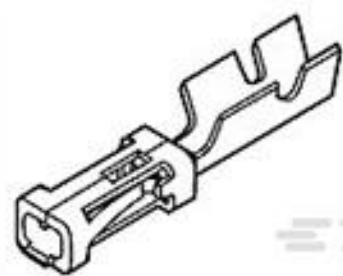
TE Part # 2-167301-4  
MOD-4 REC.CONT.SCP



TE Part # 2-167301-2  
MOD-4 REC.CONT.SCP



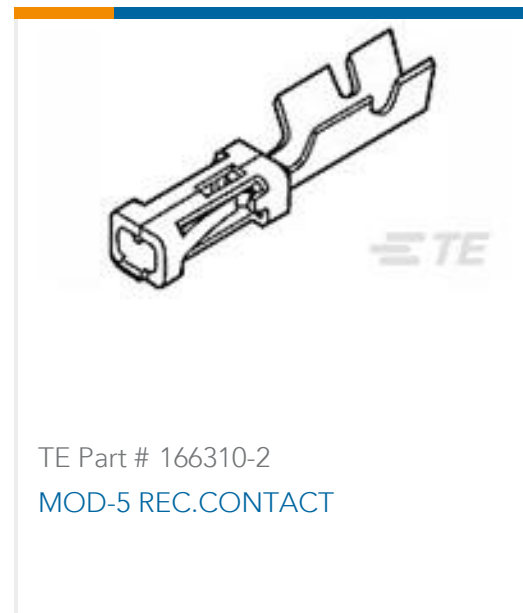
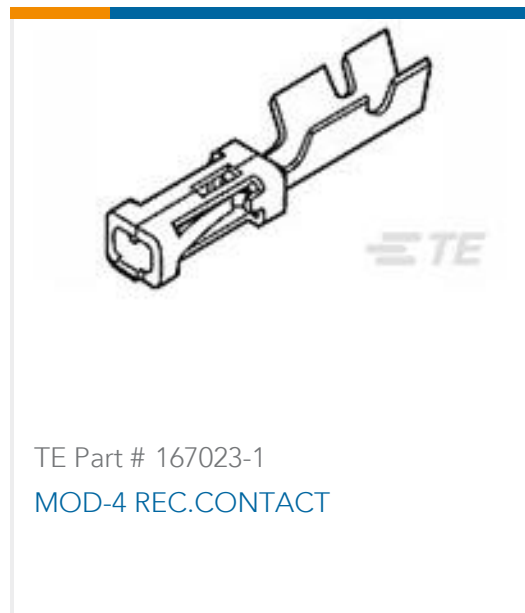
TE Part # 166309-2  
MOD-5 REC.CONTACT



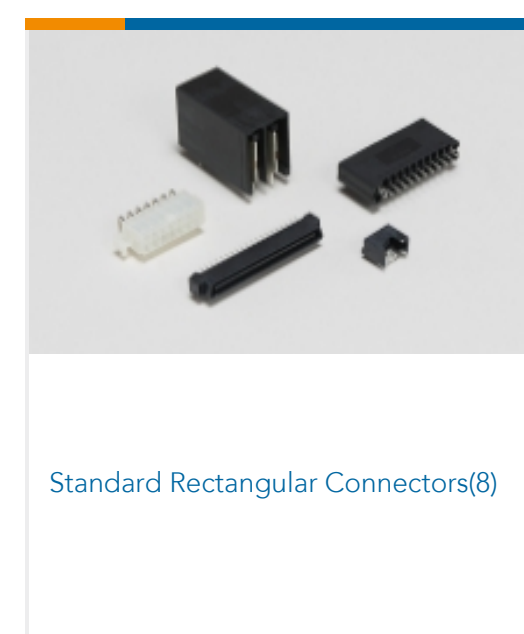
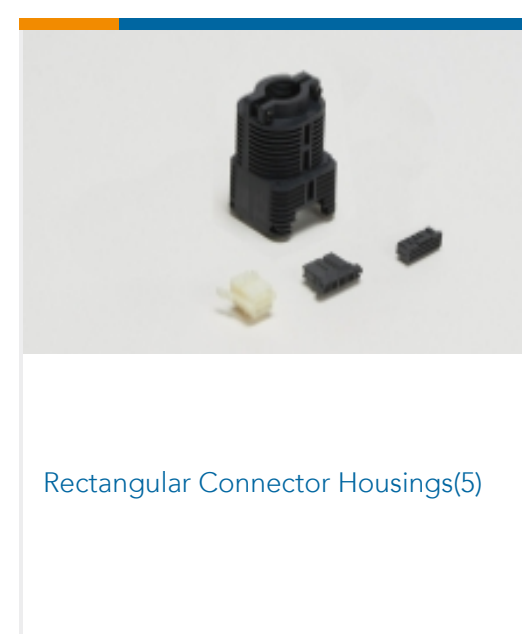
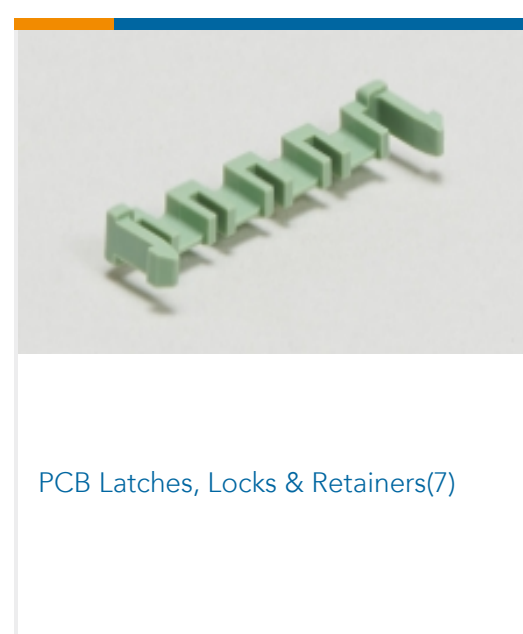
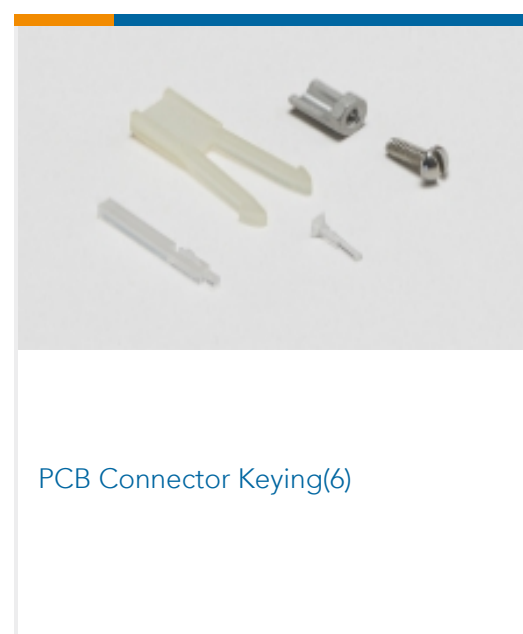
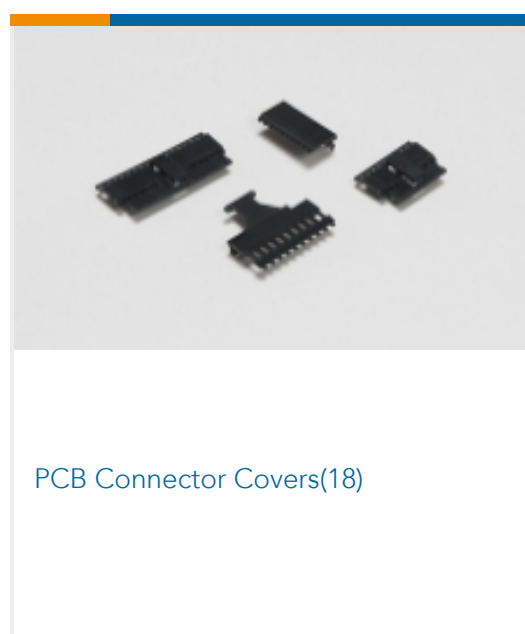
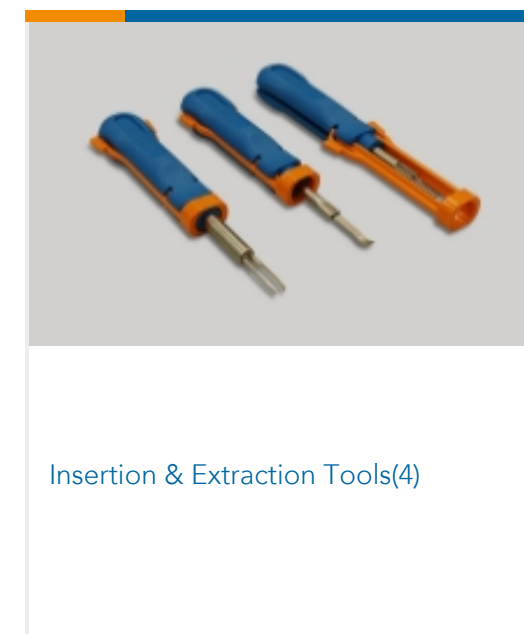
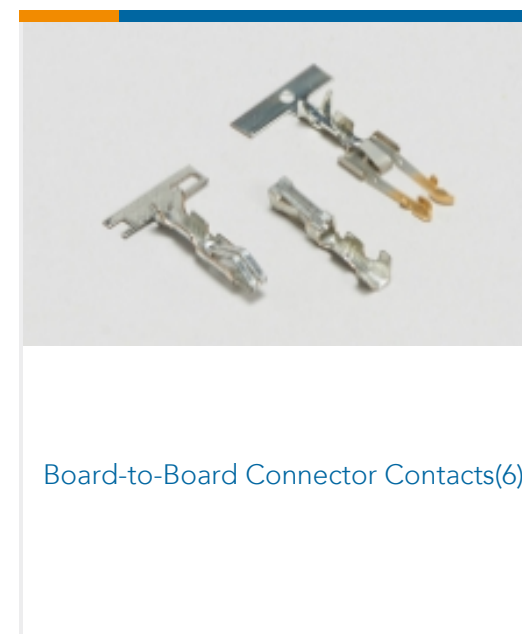
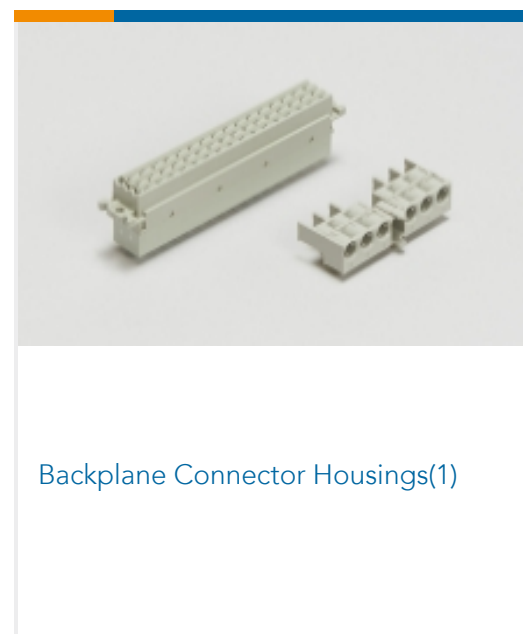
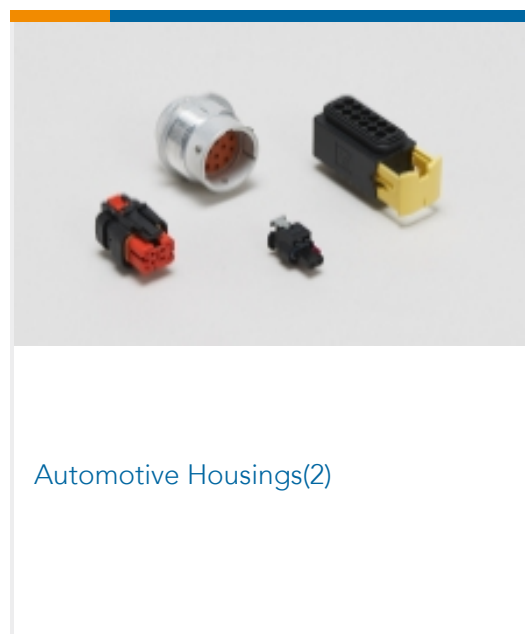
TE Part # 167024-1  
MOD-4 REC.CONT.SCP.



TE Part # 826936-2  
2P AMPMODU II STIFT LEI



Also in the Series | AMPMODU IV/V



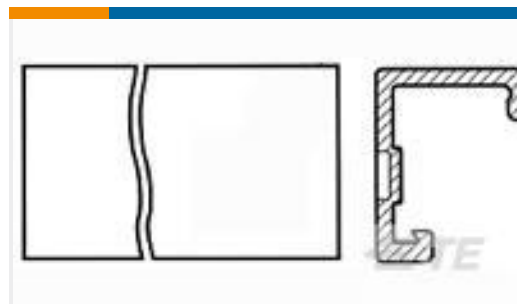
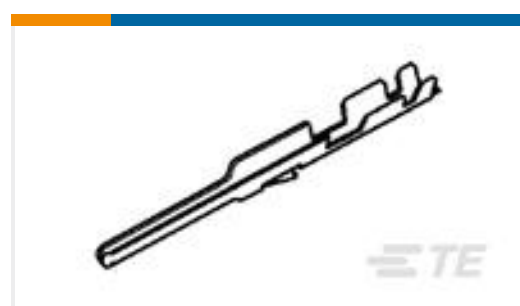
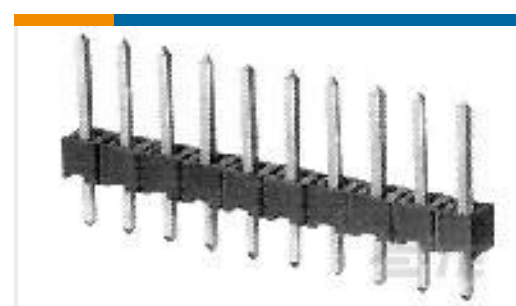
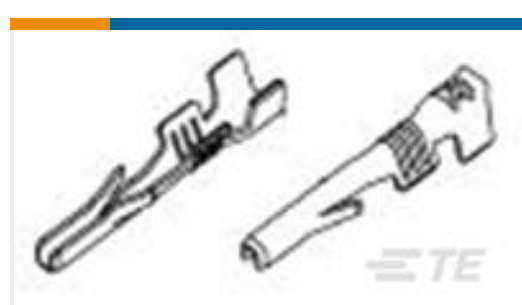


Wire-to-Board Connector Assemblies &amp; Housings(447)



Wire-to-Board Connector Contacts (322)

## Customers Also Bought

TE Part #2-1630012-8  
HSC150 22R 5%TE Part #3-640429-6  
06P MTA156 CONN ASSY 24AWG  
WHTTE Part #640551-6  
06P MTA156 COVERTE Part #3-640429-3  
03P MTA156 CONN ASSY 24AWG  
WHTTE Part #925370-2  
MOD IV REC HSG, 2X2PTE Part #102095-3  
MOD IV PIN PLTD 30 SELTE Part #1028-024-0305  
BKSHL, 3P, BLK, REC, ST, NW 8.5TE Part #3-825433-2  
MOD 2 PINHDR 1X32P.TE Part #293322-1  
CRIMPED TAB CONTACT, P.C.B.  
INTERFACETE Part #K1016602  
Limit switch G13-01-1270

## Documents

### CAD Files

3D PDF

3D

### Customer View Model

[ENG\\_CVM\\_CVM\\_925369-2\\_Y.2d\\_dxf.zip](#)

English

### Customer View Model

[ENG\\_CVM\\_CVM\\_925369-2\\_Y.3d\\_igs.zip](#)



English

**Customer View Model**

[ENG\\_CVM\\_CVM\\_925369-2\\_Y.3d\\_stp.zip](#)

English

By downloading the CAD file I accept and agree to the [Terms and Conditions](#) of use.

---

**Product Specifications**

[Application Specification](#)

English

---

**Agency Approvals**

[UL Report](#)

English