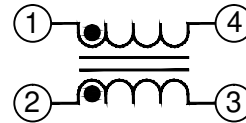
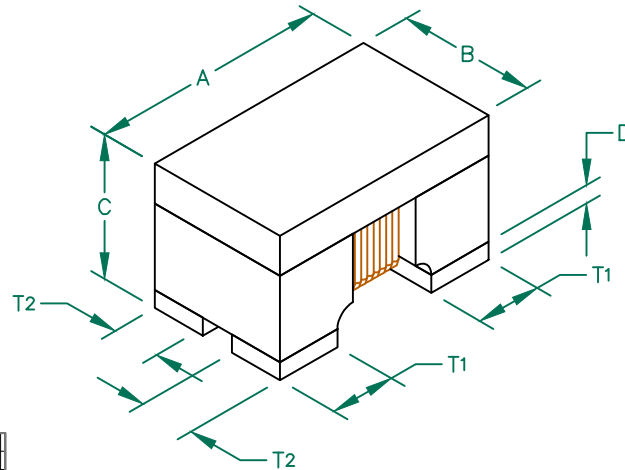


CM0805C161R-10

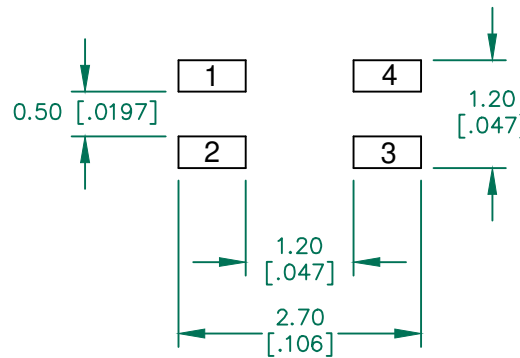
PHYSICAL DIMENSIONS:

A	2.00 [.079]	+ 0.20 [.008]
B	1.20 [.047]	+ 0.20 [.008]
C	1.20 [.047]	+ 0.20 [.008]
D	0.15 [.006]	+ 0.10 [.004]

T1	0.55 [.022]	+ 0.10 [.004]
T2	0.46 [.018]	+ 0.10 [.004]



LAND PATTERNS FOR REFLOW SOLDERING

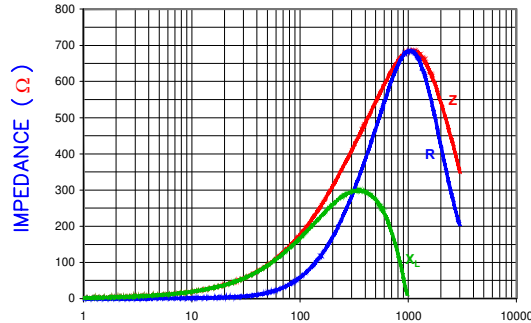


Electrical Characteristics		Nominal	Min	Max
Common Mode Impedance @ 100MHz	(Ω)	160	120	200
DCR	(Ω)	-	-	0.35
Rated Current	(mA)	-	-	300

NOTES: UNLESS OTHERWISE SPECIFIED

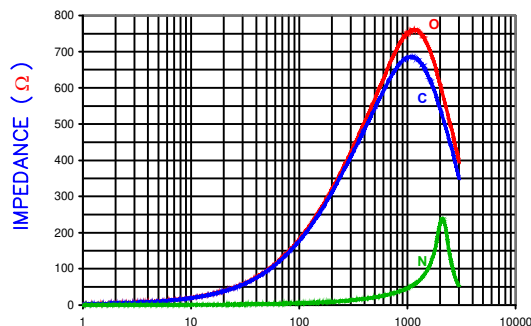
1. TAPED AND REELED PER CURRENT EIA SPECIFICATIONS 7" REELS, EMBOSSED PLASTIC TAPE 2,000 PCS/REEL.
2. TERMINATION FINISH 100% MATTE TIN.
3. COMPONENTS SHOULD BE ADEQUATELY PREHEATED BEFORE SOLDERING..
4. OPERATING TEMP. RANGE: $-40^{\circ}\text{C} \sim +125^{\circ}\text{C}$. (INCLUDING SELF-HEATING)
5. COSMETIC SPECIFICATION REFER TO WI-QA-124.

Z, R, XL vs. FREQUENCY



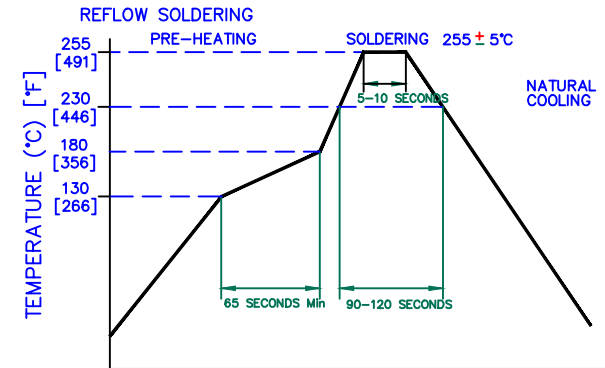
FREQUENCY (MHz)

Z vs. FREQUENCY (C,N,O)



FREQUENCY (MHz)

RECOMMENDED SOLDERING CONDITIONS



RoHS

DIMENSIONS ARE IN mm [INCHES]				This print is the property of Laird Tech. and is loaned in confidence subject to return upon request and with the understanding that no copies shall be made without the written consent of Laird Tech. All rights to design or invention are reserved.						
E	ADD OPERATING TEMPERATURE UPDATE LAIRD LOGO AND REFLOW CURVE	08/05/13	QU							
D	CHANGE T1 AND T2 DIMENSIONS	01/11/10	JUN							
C	UPDATE COMPANY LOGO	04/28/09	JRK							
B	UPDATE COMPANY LOGO	05/10/07	JRK							
A	ORIGINAL DRAFT	08/11/06	JRK							
REV				DESCRIPTION	DATE	INT	PROJECT/PART NUMBER: CM0805C161R-10	REV E	PART TYPE: CM CHOKE	DRAWN BY: JRK
				DATE: 08/11/06	SCALE: NTS		DATE: 08/11/06	SCALE: NTS	SHEET: -	1 of 1