

THIS DRAWING IS UNPUBLISHED.

RELEASED FOR PUBLICATION DEC ,2003.

REVISIONS

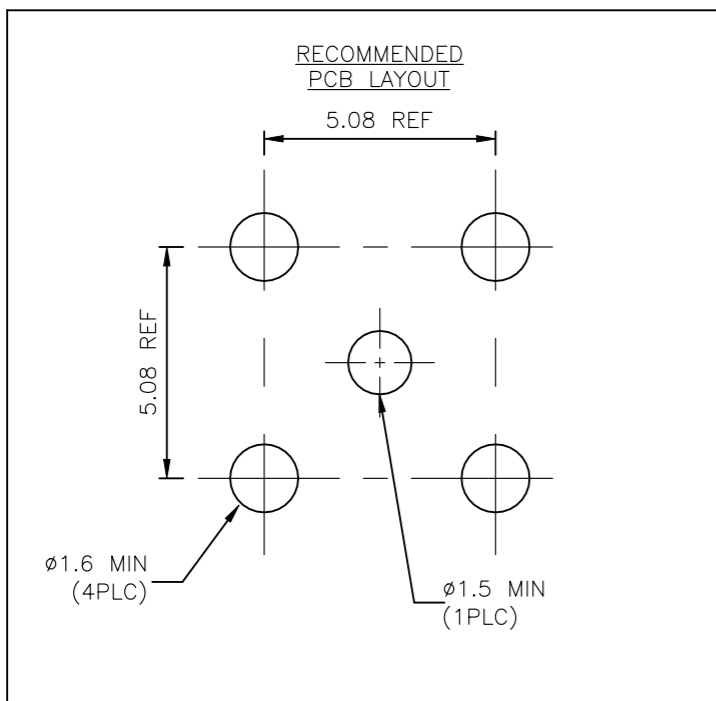
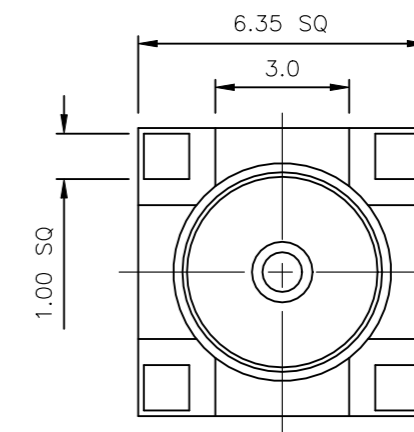
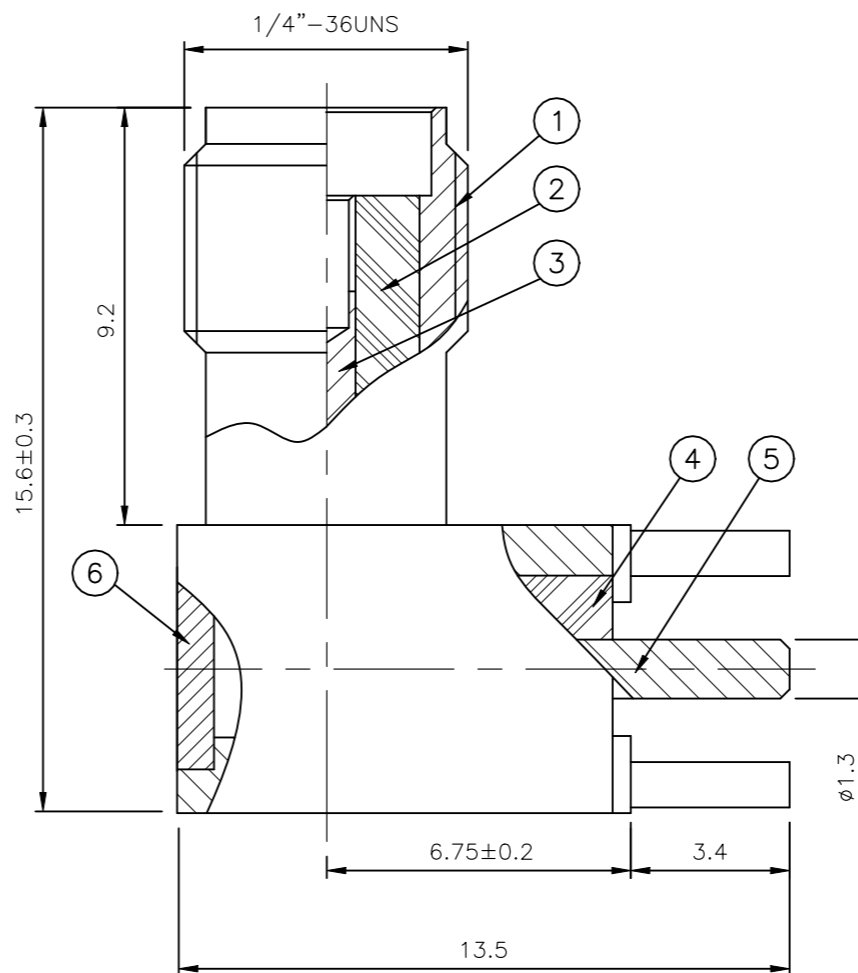
© COPYRIGHT 2003 By --

ALL RIGHTS RESERVED.

P	LTR	DESCRIPTION	DATE	DWN	APVD
	F2	ADD NEW PN 3-1478978-2	14SEP2022	ED	WH

NOTES:

- 1. SINGLE PACK IN ACCORDANCE WITH SPEC 107-3275
- 2. 30 TRAY PACK IN ACCORDANCE WITH SPEC 107-3275
- 3. 0.08µm GOLD PLATING
- 4. 0.76µm GOLD PLATING
- 5. ELECTRICAL CHARACTERISTICS
 FREQUENCY RANGE:
 STAINLESS STEEL: DC-12.4GHz
 BRASS: DC-6GHz
 NOMINAL IMPEDANCE: 50 OHMS
 INSULATION RESISTANCE: 5000 MOHMS
 WORKING VOLTAGE: 500 VOLTS MAX.
 DIELECTRIC WITHSTAND VOLTAGE: 1000 VOLTS MAX.
 VSWR: 1.23 MAX.
 RETURN LOSS: DC..6GHz<=-19.73dB
- 6. CONTACT RESISTANCE:
 CENTRE CONTACT: 3 mOHMS
 OUTER CONTACT: 2 mOHMS
- 7. MECHANICAL CHARACTERISTICS
 DURABILITY: 500 CYCLES
 TORQUE SETTING: 0.15-0.20 NM
- 8. ENVIRONMENTAL
 OPERATING TEMPERATURE: -65°~+165°
- 9. FOR TECHNICAL DATA REFER TO YOUR LOCAL TE CONNECTIVITY SALES OFFICE
- 10. ALL DIMENSIONS ARE NOMINAL FOR REFERENCE ONLY UNLESS OTHERWISE STATED
- 11. TAPE AND REEL PACKAGING



QTY	DESCRIPTION	ITEM
1	BRASS	ACCESS CAP 6
1	STAINLESS STEEL	ACCESS CAP 6
1	BRASS	PIN 5
1	BRASS	PIN 5
1	PTFE	INSULATOR 4
1	BERYLLIUM COPPER	SOCKET 3
1	PHOSPHOR BRONZE	SOCKET 3
1	PTFE	INSULATOR 2
1	BRASS	BODY 1
1	STAINLESS STEEL	BODY 1
3--2		
3--1		
3--0		
1--1		
1--0		
	MATERIAL	DESCRIPTION ITEM

THIS DRAWING IS A CONTROLLED DOCUMENT.

DWN J.SANDWELL 09DEC03
 CHK S.PARLOW 09DEC03
 APVD F.WHEELER-KING 09DEC03

STE TE Connectivity

NAME: SMA RIGHT ANGLE PCB SOCKET RECEPTACLE

SIZE: A3 CAGE CODE: 00779 DRAWING NO: C-1478978

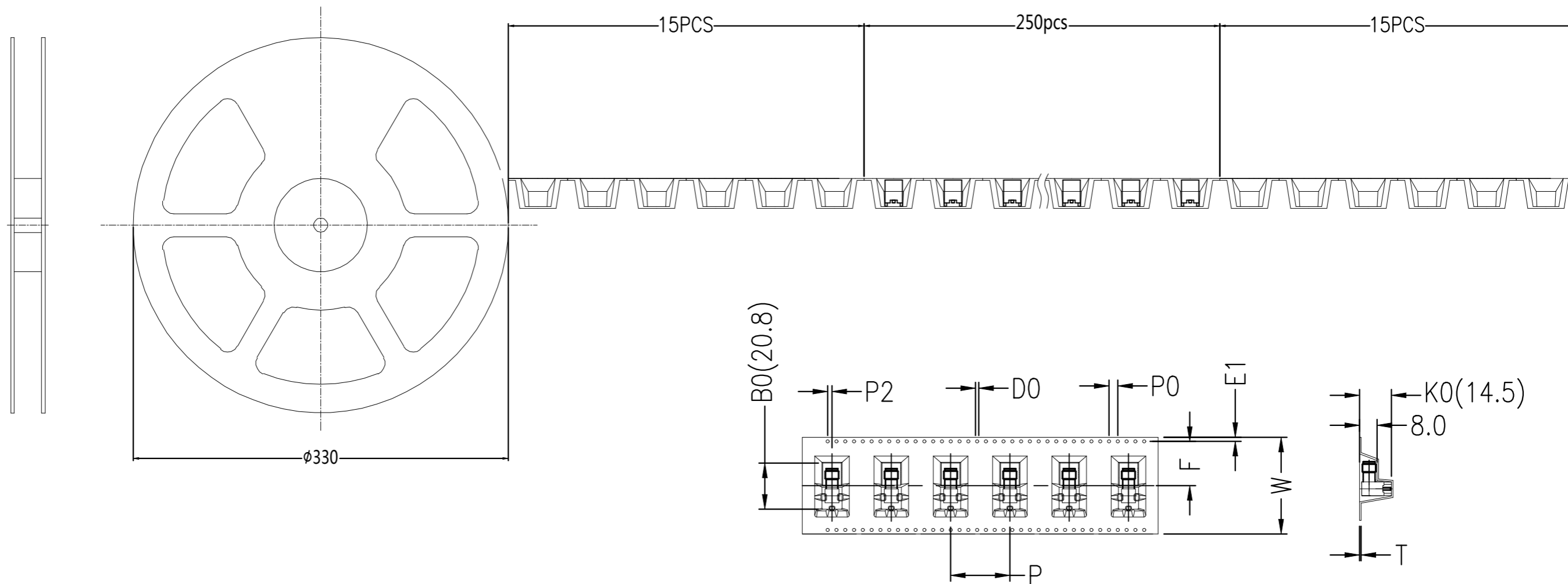
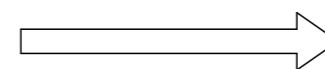
WEIGHT: 0.000000

CUSTOMER DRAWING


SCALE: NTS SHEET: 1 OF 2 REV: F2

P	LTR	DESCRIPTION	DATE	DWN	APVD
-	-	SEE SHEET 1	-	-	-

TAPE AND REEL PACKAGING SPEC FOR 3-1478978-2



symbol	AO	BO	KO	PO	P	P2
Spec	N/A	20.8±0.10	14.5±0.10	4.00±0.10	20.0±0.10	2.00±0.15
symbol	W	T	E1	F	DO	
Spec	44.0±0.30	0.50±0.05	1.75±0.10	20.2±0.15	1.50 ^{+0.1} ₀	

THIS DRAWING IS A CONTROLLED DOCUMENT.		DWN J.SANDWELL 09DEC03	 TE Connectivity														
DIMENSIONS: mm		CHK S.PARLOW 09DEC03															
TOLERANCES UNLESS OTHERWISE SPECIFIED:		APVD F.WHEELER-KING 09DEC03	NAME SMA RIGHT ANGLE PCB SOCKET RECEPTACLE														
<table border="0"> <tr> <td>0 PLC</td> <td>± -</td> </tr> <tr> <td>1 PLC</td> <td>± 0.2</td> </tr> <tr> <td>2 PLC</td> <td>± 0.1</td> </tr> <tr> <td>3 PLC</td> <td>± -</td> </tr> <tr> <td>4 PLC</td> <td>± -</td> </tr> <tr> <td>ANGLES</td> <td>± 5°</td> </tr> </table>		0 PLC	± -	1 PLC	± 0.2	2 PLC	± 0.1	3 PLC	± -	4 PLC	± -	ANGLES	± 5°	PRODUCT SPEC -	-		
0 PLC	± -																
1 PLC	± 0.2																
2 PLC	± 0.1																
3 PLC	± -																
4 PLC	± -																
ANGLES	± 5°																
MATERIAL SEE TABLE		FINISH -	APPLICATION SPEC -	SIZE A3	CAGE CODE 00779	DRAWING NO C-1478978	RESTRICTED TO -										
CUSTOMER DRAWING			WEIGHT 0.000000	SCALE NTS	SHEET 2 OF 2	REV F2											