

2-175133-4 ✓ ACTIVE

AMP CT

TE Internal #: 2-175133-4

PCB Connector Mounting, 24 Position, .079 in [2 mm] Centerline, 28 – 24 AWG Wire Size, Ivory, -22 – 221 °F [-30 – 105 °C], AMP CT

[View on TE.com >](#)



Connectors > PCB Connectors > PCB Connector Accessories > PCB Connector Hardware > PCB Connector Mounting



Number of Positions: **24**

Centerline (Pitch): **2 mm [.079 in]**

Wire Size: **28 – 24 AWG**

Primary Product Color: **Ivory**

Operating Temperature Range: **-30 – 105 °C [-22 – 221 °F]**

Features

Configuration Features

Number of Positions	24
---------------------	----

Body Features

Primary Product Material	PA 66
--------------------------	-------

Primary Product Color	Ivory
-----------------------	-------

Housing Features

Centerline (Pitch)	2 mm[.079 in]
--------------------	---------------

Dimensions

Product Width	7.55 mm[.297 in]
---------------	------------------

Product Length	28.3 mm[1.114 in]
----------------	-------------------

Product Height	6.65 mm[.261 in]
----------------	------------------

Row-to-Row Spacing	6.6 mm
--------------------	--------

Wire Size	28 – 24 AWG
-----------	-------------

Usage Conditions

Operating Temperature Range	-30 – 105 °C[-22 – 221 °F]
-----------------------------	----------------------------

Packaging Features

Packaging Quantity	1000
--------------------	------

Packaging Method	Bag
------------------	-----

Other



Connector Accessory Comment	For Use With CT Connector, Two receptacle connectors are applied per holder.
-----------------------------	--

Product Compliance

[For compliance documentation, visit the product page on TE.com>](#)

EU RoHS Directive 2011/65/EU	Compliant
EU ELV Directive 2000/53/EC	Compliant
China RoHS 2 Directive MIIT Order No 32, 2016	No Restricted Materials Above Threshold
EU REACH Regulation (EC) No. 1907/2006	Current ECHA Candidate List: JUNE 2023 (235) Candidate List Declared Against: JUNE 2023 (235) Does not contain REACH SVHC
Halogen Content	Low Halogen - Br, Cl, F, I < 900 ppm per homogenous material. Also BFR/CFR/PVC Free
Solder Process Capability	Not applicable for solder process capability

Product Compliance Disclaimer

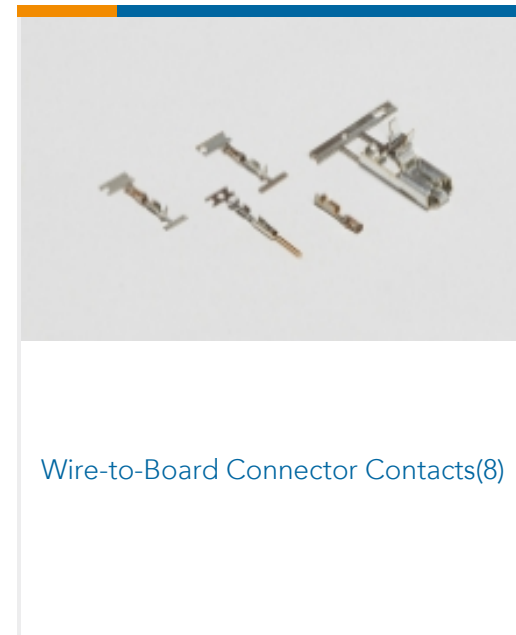
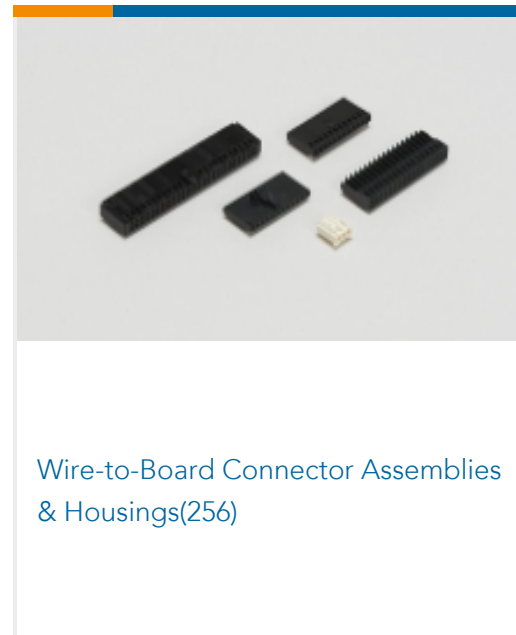
This information is provided based on reasonable inquiry of our suppliers and represents our current actual knowledge based on the information they provided. This information is subject to change. The part numbers that TE has identified as EU RoHS compliant have a maximum concentration of 0.1% by weight in homogenous materials for lead, hexavalent chromium, mercury, PBB, PBDE, DBP, BBP, DEHP, DIBP, and 0.01% for cadmium, or qualify for an exemption to these limits as defined in the Annexes of Directive 2011/65/EU (RoHS2). Finished electrical and electronic equipment products will be CE marked as required by Directive 2011/65/EU. Components may not be CE marked. Additionally, the part numbers that TE has identified as EU ELV compliant have a maximum concentration of 0.1% by weight in homogenous materials for lead, hexavalent chromium, and mercury, and 0.01% for cadmium, or qualify for an exemption to these limits as defined in the Annexes of Directive 2000/53/EC (ELV). Regarding the REACH Regulation, the information TE provides on SVHC in articles for this part number is based on the latest European Chemicals Agency (ECHA) 'Guidance on requirements for substances in articles' posted at this URL: <https://echa.europa.eu/guidance-documents/guidance-on-reach>

Compatible Parts

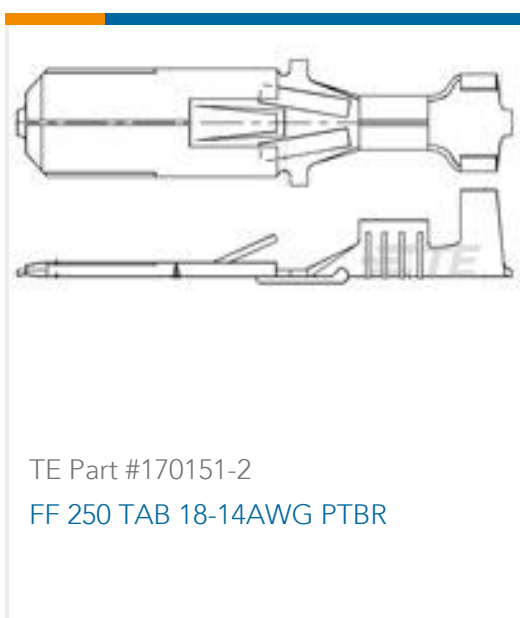
 <p>TE Part # CAT-AM7017-C7671 Common Termination Contacts — POWER TRIPLE LOCK</p>	 <p>TE Part # 2-292138-4 CT DOUBLE ROW ASSY H 24P HDR N</p>	 <p>TE Part # CAT-3980700-DRWB5V CT 2mm Dbl Row Assembly w/Boss: Vert.</p>	 <p>TE Part # CAT-AM7017-H8172 AMP COMMON TERMINATION HOUSINGS</p>
---	---	---	---



Also in the Series | AMP CT



Customers Also Bought



Documents

Product Drawings

CT DOUBLE ROW 24P HOLDER NATU.

English

CAD Files

3D PDF

3D



Customer View Model

[ENG_CVM_CVM_2-175133-4_E.2d_dxf.zip](#)

English

Customer View Model

[ENG_CVM_CVM_2-175133-4_E.3d_igs.zip](#)

English

Customer View Model

[ENG_CVM_CVM_2-175133-4_E.3d_stp.zip](#)

English

By downloading the CAD file I accept and agree to the [Terms and Conditions](#) of use.

Product Specifications

[Application Specification](#)

English

[Crimping of AMP 2.0mm Pitch, CT Crimp Typell Rec Contact](#)

English

[Application Specification](#)

English

Product Environmental Compliance

[MD_2-175133-4_01102017134_dmtec](#)

English

[MD_2-175133-4_01102017134_dmtec](#)

English

Agency Approvals

[CSA Certificate](#)

English