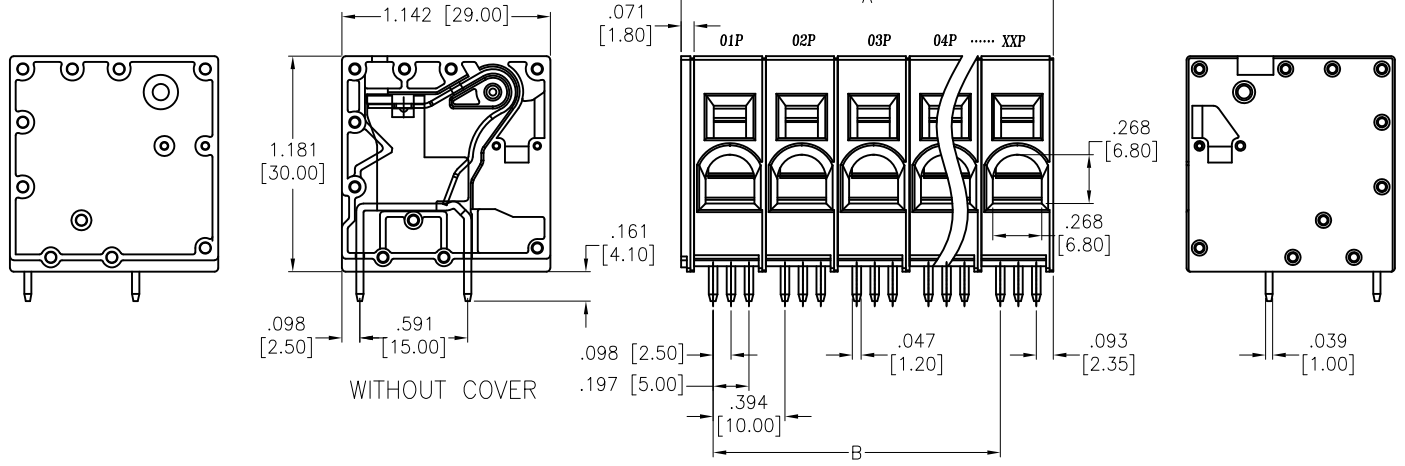
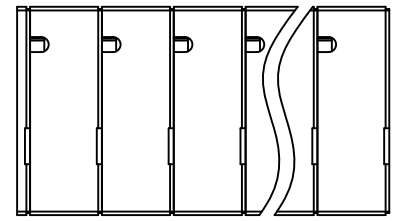
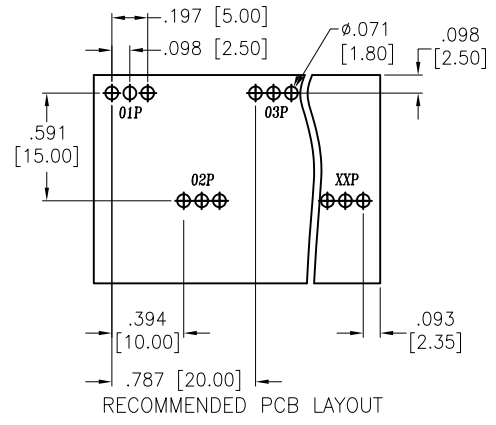


Rev	AWO #	Description	Date	Appr
-		RELEASED	11/26/18	

APPROVED: _____
 DATE: _____ TITLE: _____



SPECIFICATIONS:

Material:
 Insulator: PA, rated UL 94V-0
 Insulator color: Green
 Contact: Copper Alloy, Tin plated
 Electrical:
 Voltage rating: 600 V
 Current rating: 66 A
 Dielectric withstanding voltage: 2,200 VAC for 1 minute
 Mechanical:
 Strip length: 18~19mm
 Wire Range: 4~18 AWG
 Temperature Rating:
 Operating temperature: -40°C to +105°C
 Environmental:
 Lead free, RoHS compliant.



Poles: 01 thru XXP
 A = .394 [10.00] X No. of Positions +.071 [1.80]
 B = .394 [10.00] X No. of Spaces

UNLESS OTHERWISE SPECIFIED ALL DIMENSIONS ARE INCHES [MM] TOLERANCES: EXCEPT AS NOTED		
INCHES		HOLES
.X ± .10	Ø.X ± .10	
.XX ± .020	Ø.XX ± .015	
.XXX ± .015	Ø.XXX ± .010	
APPROVALS		DATE
DRAWN	AY	11/26/18
CHECKED	AC	11/26/18
APPROVED		

ADAM TECH INTERCONNECTS 909 Rahway Avenue,
 Union, NJ 07083
 Phone: 908-687-5000
 Fax: 908-687-5710

TITLE SPRING CLAMP EURO BLOCK, .394 [10.00] PITCH		
SIZE X	PART NO. EB167A-XX-H	REV. -
REF: S00067C	SCALE: NTS	SHEET 1 OF 1

6 5 4 3 2 1

D

D

C

C

B

B

A

A

6 5 4 3 2 1