

## CTLQ1812CF Series

From 1.0  $\mu\text{H}$  to 470  $\mu\text{H}$



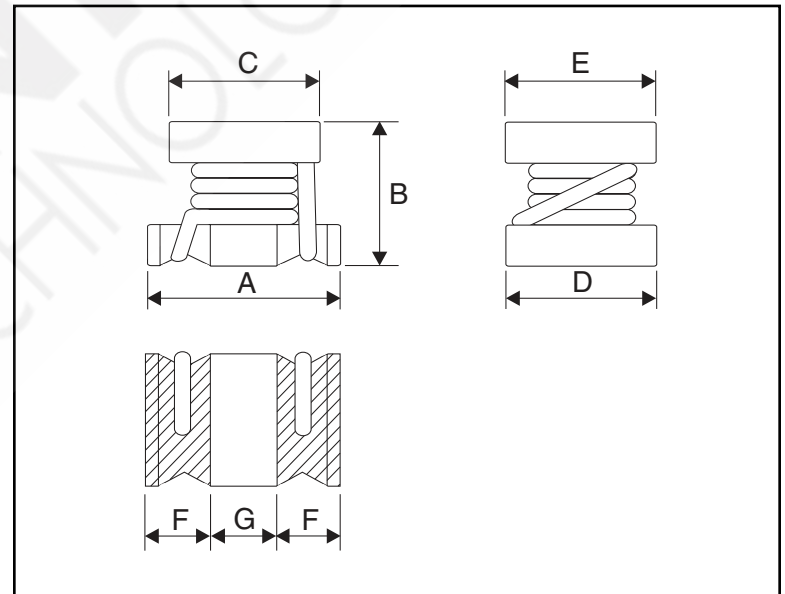
### SPECIFICATIONS

Part numbers indicate inductance tolerance available.  
K =  $\pm 10\%$ , M =  $\pm 20\%$

Part Number	Inductance ( $\mu\text{H}$ )	L Test Freq. ( $\text{Hz}$ )	DCR Max. ( $\Omega$ )	SRF Min. (MHz)	Rated DC Max. (mA)
CTLQ1812CF-1R0M	1.0	1M	0.08	100	1080
CTLQ1812CF-1R5M	1.5	1M	0.09	85	1000
CTLQ1812CF-2R2M	2.2	1M	0.11	60	900
CTLQ1812CF-3R3M	3.3	1M	0.13	47	800
CTLQ1812CF-4R7M	4.7	1M	0.15	35	750
CTLQ1812CF-6R8M	6.8	1M	0.20	30	720
CTLQ1812CF-100K	10	1M	0.24	23	650
CTLQ1812CF-150K	15	1M	0.32	20	570
CTLQ1812CF-220K	22	1M	0.60	15	420
CTLQ1812CF-330K	33	1M	1.00	12	310
CTLQ1812CF-470K	47	1M	1.10	10	280
CTLQ1812CF-680K	68	1M	1.70	8.4	220
CTLQ1812CF-101K	100	1M	2.20	6.8	190
CTLQ1812CF-151K	150	1M	3.50	5.5	130
CTLQ1812CF-221K	220	1M	4.00	4.5	110
CTLQ1812CF-331K	330	1M	6.80	3.6	100
CTLQ1812CF-471K	470	1k	8.50	3.0	90

### PHYSICAL DIMENSIONS

Size	A	B	C	D	E	F Min.	G Min.
mm	4.5 $\pm$ 0.3	2.6 $\pm$ 0.2	3.6 $\pm$ 0.2	3.2 $\pm$ 0.2	3.2 $\pm$ 0.2	1.0	1.0
inches	0.18 $\pm$ 0.01	0.10 $\pm$ 0.008	0.14 $\pm$ 0.008	0.12 $\pm$ 0.008	0.12 $\pm$ 0.008	0.04	0.04



### CHARACTERISTICS

**Description:** SMD wire-wound chip inductors

**Applications:** Power supplies for OA equipment, LCD televisions, PC notebooks, portable communication equipment, DC/DC converters.

**Operating Temperature:** -40°C to 125°C (including self-temperature rise)

**Inductance Tolerance:**  $\pm 10\%$ ,  $\pm 20\%$

**Packaging:** Tape & Reel.

**Testing:** Inductance is tested on an HP4285A at specified frequency.

**Pads:** Soft copper and pre-tinned.

**Miscellaneous:** **RoHS Compliant.**

**Additional Information:** Additional electrical & physical information available upon request.

**Samples available. See website for ordering information.**