

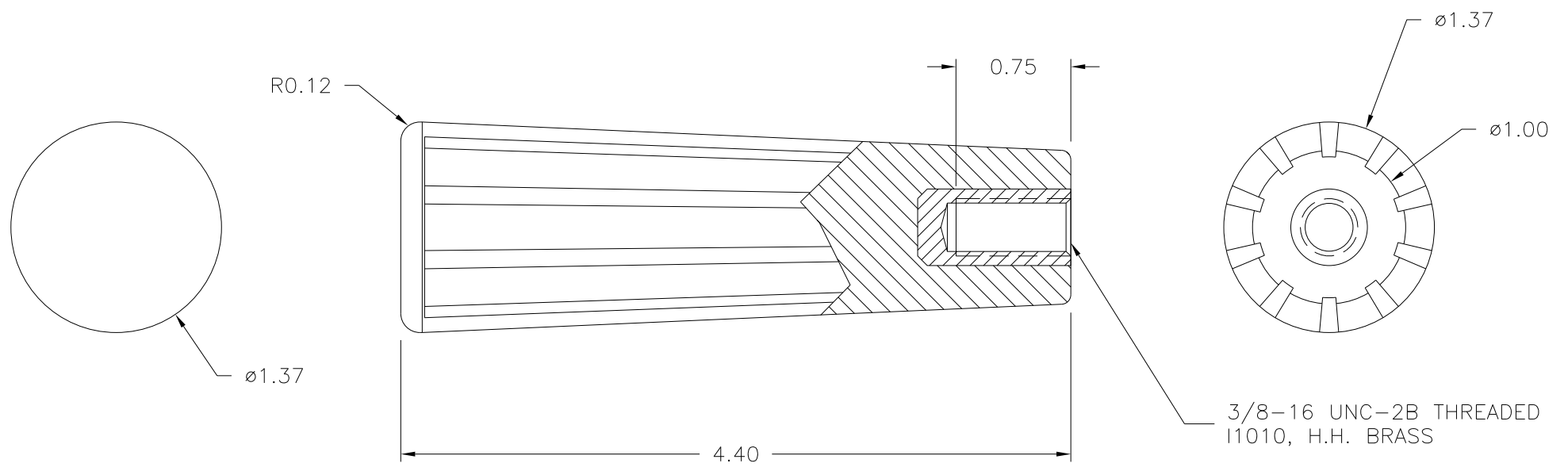
PART NAME: HANDLE SCALE: 1:1 DATE: 11/25/70 DR. BY NH

THIS DRAWING IS THE PROPERTY OF DAVIES MOLDING COMPANY, IS SUBMITTED SOLELY AS A DESIGN OR ENGINEERING PROJECT. WE ACCEPT NO RESPONSIBILITY WHATSOEVER FOR THE PRACTICAL APPLICATION OF THE PIECES MADE TO THIS DESIGN.



DESIGNERS & MANUFACTURERS OF KNOBS, HANDLES, CASES & CUSTOM PLASTIC COMPONENTS

P/N	0698-G
M ^{NO.}	5682
CAVITY	0698
PLUNGER	0698
PINS	698+698-11
PIN BARS	M-698
INSERT	I1010



MATERIAL: #4311 PLENCO PHENOLIC (B41)
 COLOR: BLACK

TOLERANCES: UNLESS OTHERWISE SPECIFIED	DO NOT SCALE DRAWING			
DECIMALS: X.XXX ± .005 X.XX ± .015	MM: X.XX ± 0.15MM X.X ± 0.4MM	- CORRECTED REDRAW	TS	12/16/99
FRACTIONS ± 1/64	ANG. ± 1°	- CAD/Redraw	HD	5/27/93
CHANGES				