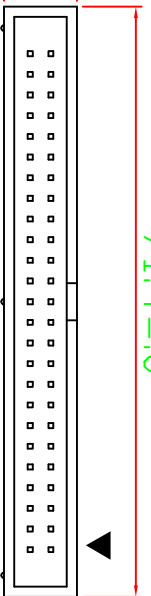
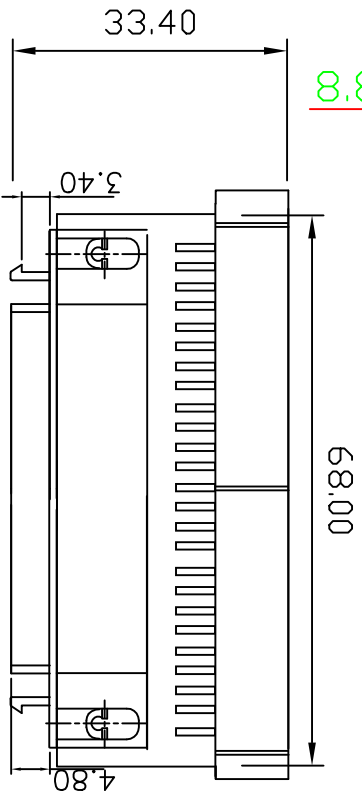


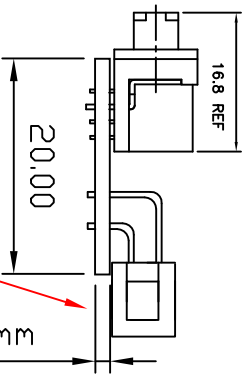
# PIN ASSIGNMENT



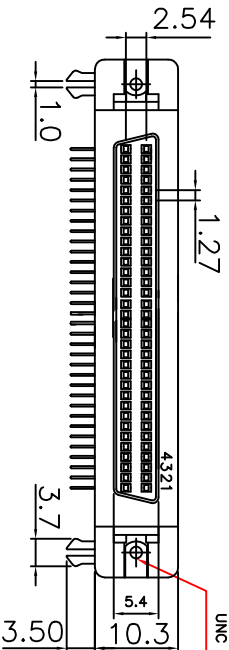
8.8 ± 0.0



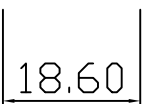
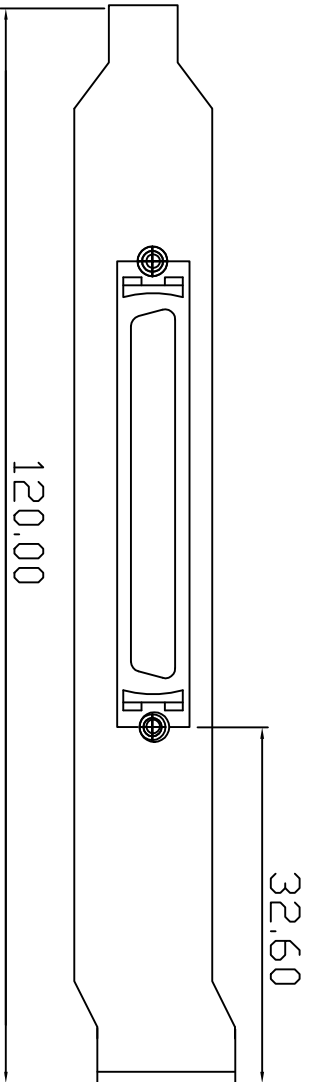
HOLE ON DOWN SIDE



P.C.B 1.6mm



UNC SEE SPC.



| A  | B | A | B  |
|----|---|---|----|
| 1  | - | X | 35 |
| 2  | - | X | 36 |
| 3  | - | X | 37 |
| 4  | - | X | 38 |
| 5  | - | X | 39 |
| 6  | - | X | 40 |
| 7  | - | X | 41 |
| 8  | - | X | 42 |
| 9  | - | X | 43 |
| 10 | - | X | 44 |
| 11 | - | X | 45 |
| 12 | - | X | 46 |
| 13 | - | X | 47 |
| 14 | - | X | 48 |
| 15 | - | X | 49 |
| 16 | - | X | 50 |
| 17 | - | X | 51 |
| 18 | - | X | 52 |
| 19 | - | X | 53 |
| 20 | - | X | 54 |
| 21 | - | X | 55 |
| 22 | - | X | 56 |
| 23 | - | X | 57 |
| 24 | - | X | 58 |
| 25 | - | X | 59 |
| 26 | - | X | 60 |
| 27 | - | X | 61 |
| 28 | - | X | 62 |
| 29 | - | X | 63 |
| 30 | - | X | 64 |
| 31 | - | X | 65 |
| 32 | - | X | 66 |
| 33 | - | X | 67 |
| 34 | - | X | 68 |

UNLESS OTHERWISE SPECIFIED TOLERANCE

ANG. ±0.5  
F0.3  
0  
F0.3  
.00  
±0.2

SCALE: 1:1 UNIT: mm

DRAWN MICHAEL 02/16/00

CHECKED / /

APPROVED / /

Assmann Electronic GmbH

DRAWN NAME: 150D11-BL

PRODUCT NO. AB 841

FILE NAME: 150D11-BL

|      |   |           |      |      |             |   |      |          |          |      |    |      |   |             |        |            |           |
|------|---|-----------|------|------|-------------|---|------|----------|----------|------|----|------|---|-------------|--------|------------|-----------|
| REV. | A | 150D11-BL | SLOT | CARD | DESCRIPTION | CARD HPD68PIN FEMALE W/BRACKET TO BOX HEADERSO MALE | DATE | 02/16/00 | APPROVED | SIZE | A4 | REV. | A | PRODUCT NO. | AB 841 | FILE NAME: | 150D11-BL |
|------|---|-----------|------|------|-------------|---|------|----------|----------|------|----|------|---|-------------|--------|------------|-----------|