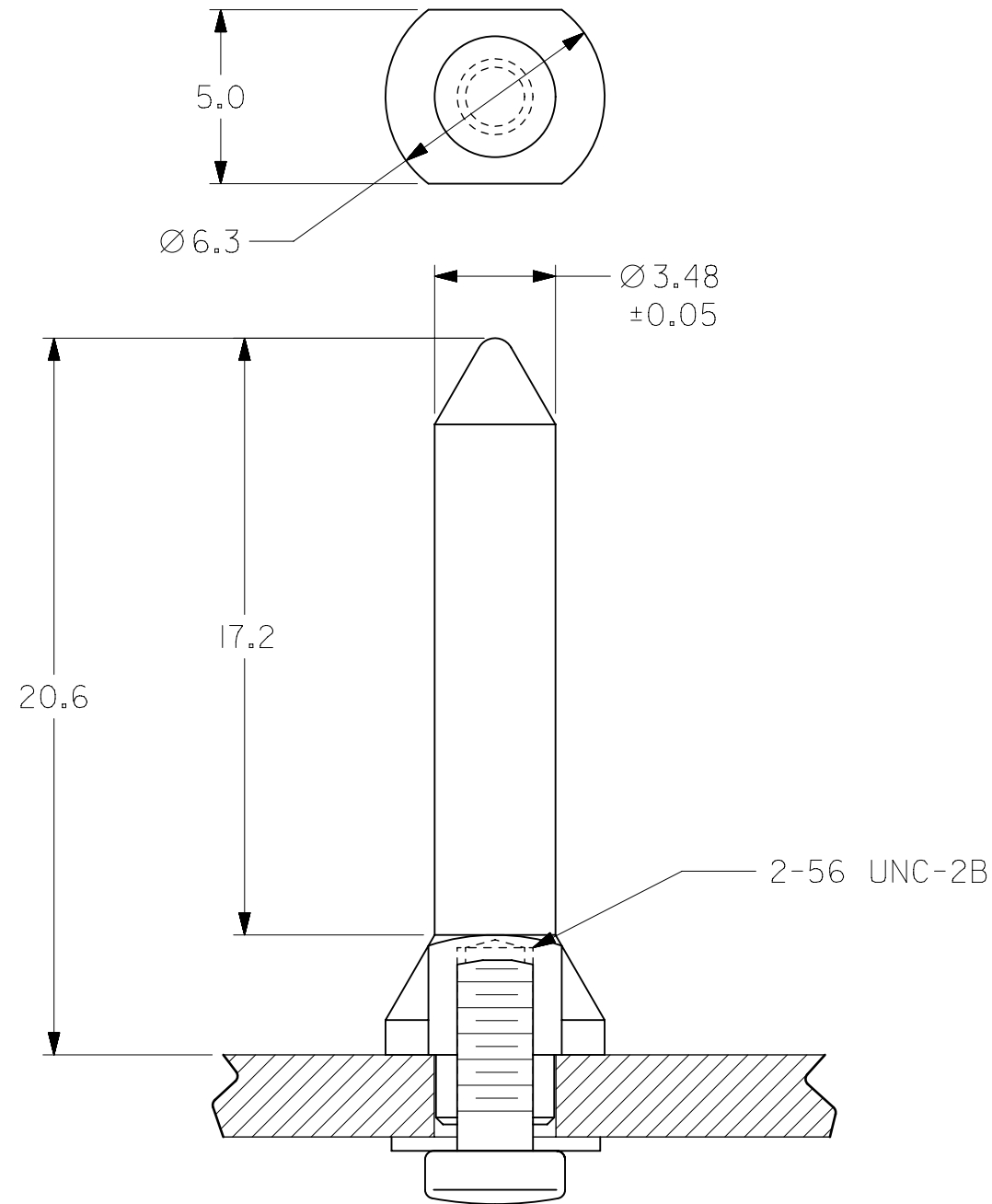
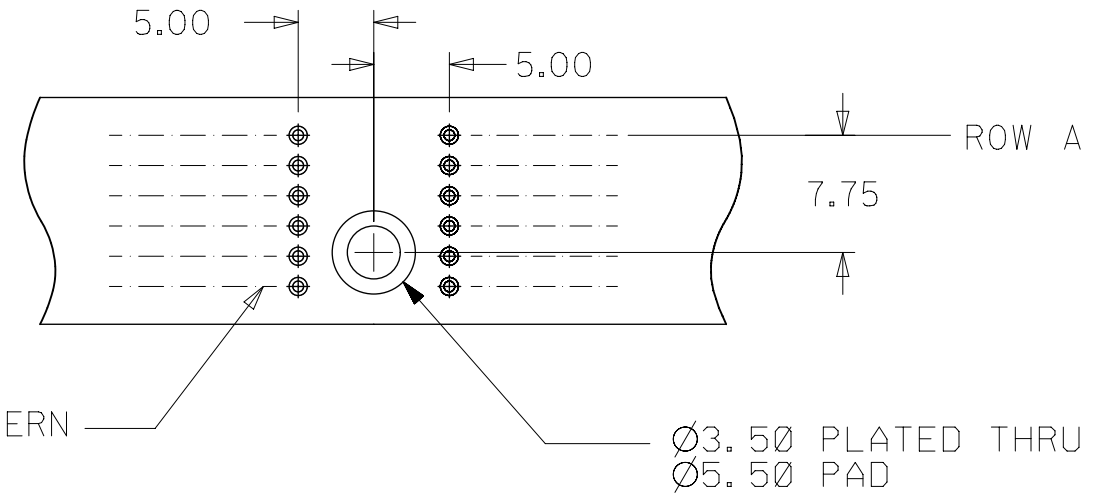


PART NUMBER	DESCRIPTION	SEMS SCREW	BOARD THICKNESS
73962-0000	STAND ALONE POST	NOT SUPPLIED	VARIOUS
73962-2000	KIT: POST w/ SCREW	73774-1015	2.50 - 5.25 mm



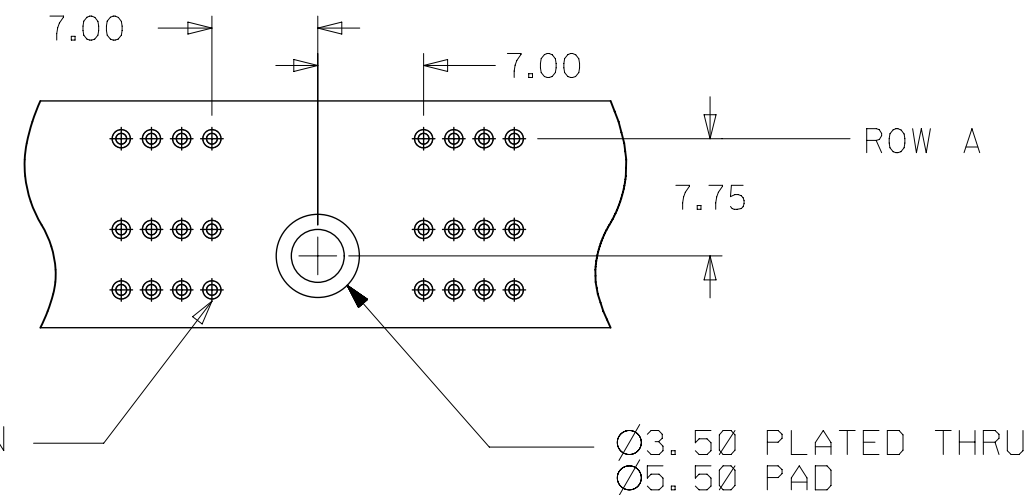
- NOTES:
1. MATERIAL: STAINLESS STEEL
 2. FINISH: PASSIVATE
 3. THIS PART CONFORMS TO MOLEX PRODUCT SPECIFICATION PS-73670-9999
 4. PARTS ARE BULK PACKED

BACKPLANE SIGNAL HOLE PATTERN
SCALE 2:1



BACKPLANE SIGNAL PATTERN
2X

BACKPLANE POWER HOLE PATTERN
SCALE 2:1



BACKPLANE POWER PATTERN
2X

PRE-RELEASE
REFERENCE
USE ONLY

THIS DRAWING CONTAINS INFORMATION THAT IS PROPRIETARY TO MOLEX ELECTRONIC TECHNOLOGIES, LLC AND SHOULD NOT BE USED WITHOUT WRITTEN PERMISSION									
DIMENSION UNITS mm		SCALE 5:1		CURRENT REV DESC: REMOVED OBSOLETE PART NUMBER AS PER PCN#511698.				molex	
GENERAL TOLERANCES (UNLESS SPECIFIED)				EC NO: 742551		HDM BACKPLANE MODULE GUIDE POST SALES ASSEMBLY			
4 PLACES ±		MM		INCH		DRWN: SANTHN 2023/03/30		PRODUCT CUSTOMER DRAWING	
3 PLACES ±		MM		INCH		CHK'D: GGA 2023/05/12		DOCUMENT NUMBER	
2 PLACES ± 0.13		MM		INCH		APPR: GGA 2023/05/12		SD-73962-002	
1 PLACE ± 0.25		MM		INCH		INITIAL REVISION:		DOC TYPE DOC PART REVISION	
0 PLACES ±		MM		INCH		DRWN: J JONIAK 2005/09/29		PSD 001 G	
ANGULAR TOL ± 0.5°		MM		INCH		APPR: J JONIAK 2005/09/29		SHEET NUMBER	
DRAFT WHERE APPLICABLE MUST REMAIN WITHIN DIMENSIONS				THIRD ANGLE PROJECTION		DRAWING B-SIZE		SERIES 73962	
DOCUMENT STATUS P1				RELEASE DATE 2023/05/12 06:17:05		MATERIAL NUMBER SEE CHART		CUSTOMER GENERAL MARKET	
								1 OF 1	