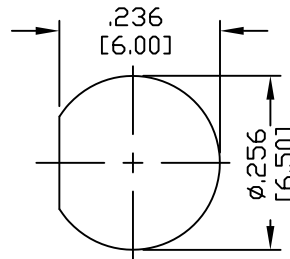
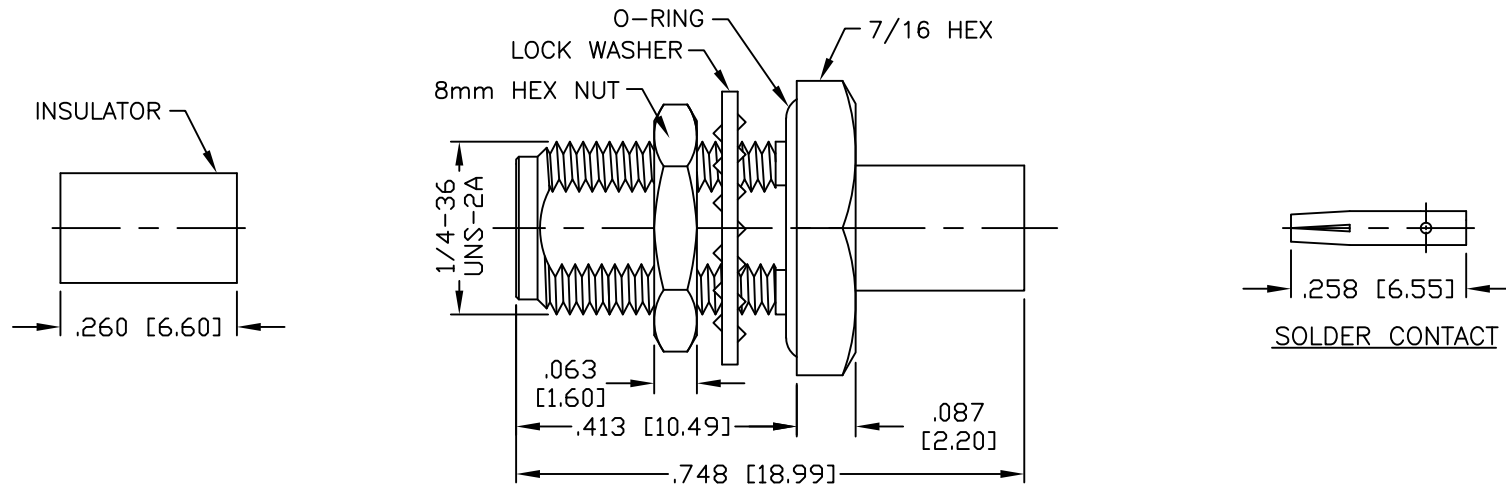
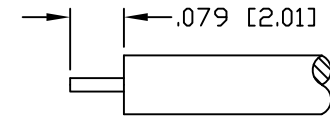


PART NO.		RSA-3560-141		
REV	DESCRIPTION	DWN	DATE	APPROVED
B	UPDATED DRAWING AND SPECS	CZS	10/20/20	JDMc



RECOMMENDED PANEL PATTERN



RECOMMENDED STRIPPING DIMENSIONS

SPECIFICATIONS:

IMPEDANCE: 50 Ohms
 FREQUENCY RANGE: 0-18 GHz
 WORKING VOLTAGE: 500 V rms Max. @ Sea Level
 INSULATION RESISTANCE: 5k M Ohms min.
 TEMPERATURE RANGE: -65°C TO 85°C
 USED ON: RG-402/U, TFT-402-LF, TFLEX-402, 1673A, SS402, EZ-FLEX-402

6	HEX NUT	1	BRASS	NICKEL
5	LOCK WASHER	1	BRASS	NICKEL
4	O-RING	1	SILICONE	RED
3	CONTACT	1	Be.Cu.	GOLD
2	INSULATOR	1	PTFE	NATURAL
1	BODY	1	BRASS	NICKEL
#	DESCRIPTION	QTY	MATERIAL	FINISH

CUSTOMER OUTLINE DRAWING	
ALL DIMENSIONS ARE REFERENCE ONLY	
UNLESS OTHERWISE SPECIFIED: DIMENSIONS ARE IN INCHES AND [MILLIMETERS]	
DRAWN C. ZUÑIGA	10/20/20
CHECKED	
ORJ DRAWN C. ZUÑIGA	4/12/01

RoHS COMPLIANT

PROPRIETARY AND CONFIDENTIAL

THIS DRAWING CONTAINS INFORMATION PROPRIETARY TO RF INDUSTRIES, ANY UNAUTHORIZED USE OF THIS DRAWING IS EXPRESSLY PROHIBITED WITHOUT WRITTEN PERMISSION FROM RF INDUSTRIES. ANY VIOLATION IS PUNISHABLE UNDER U.S. COPYRIGHT LAWS.

RFINDUSTRIES.COM
7610 MIRAMAR RD.
SAN DIEGO, CA 92126
(858) 549-6340
DIVISION OF RF INDUSTRIES, LTD. (858) 549-6345 FAX

RFconnectors

SMA JACK, BULKHEAD
DIRECT SOLDER FOR .141

CABLE GROUP SR2	DWG # RSA-3560-141	REVISION B
FORMAT A	SCALE NTS	CONTROL # 000000
		SHEET 1 OF 1