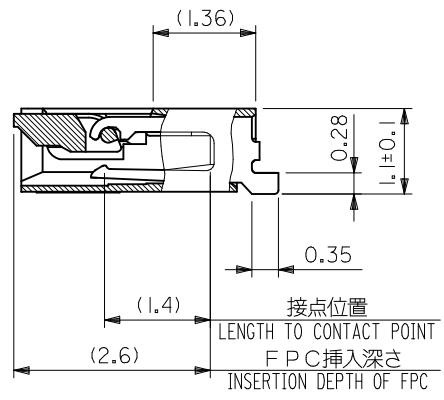
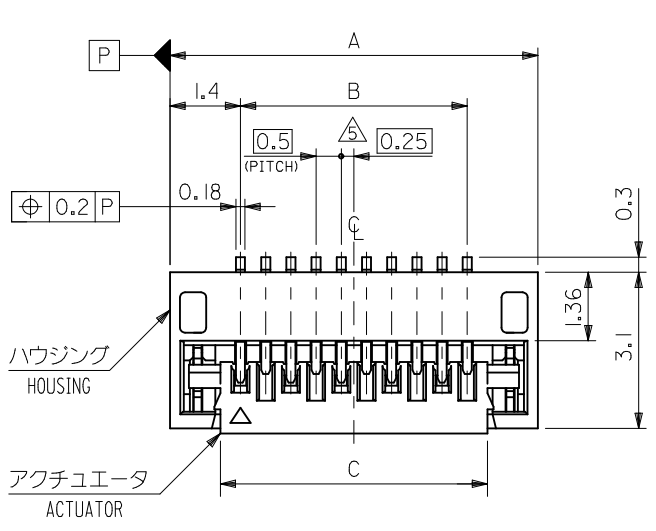
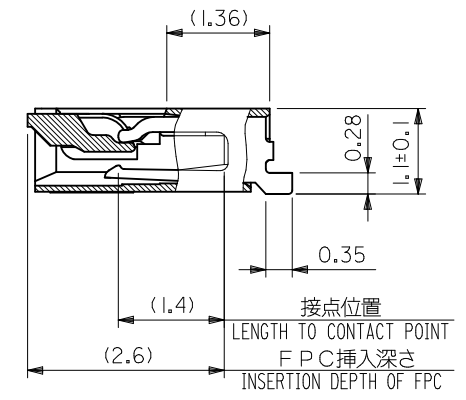


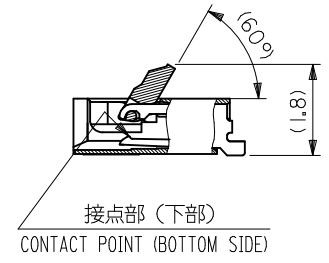
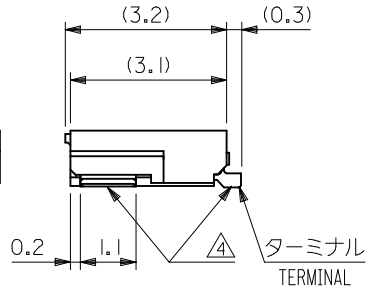
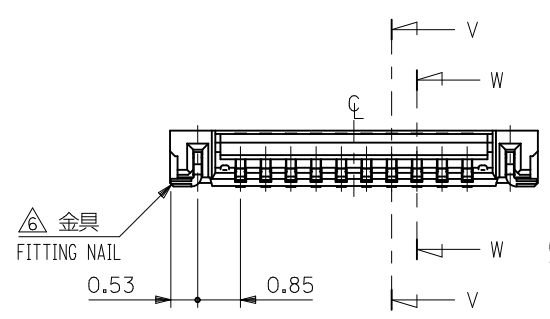
10 9 8 7 6 5 4 3 2 1



断面 V-V 奇数極
SECT. V-V (ODD CKT)



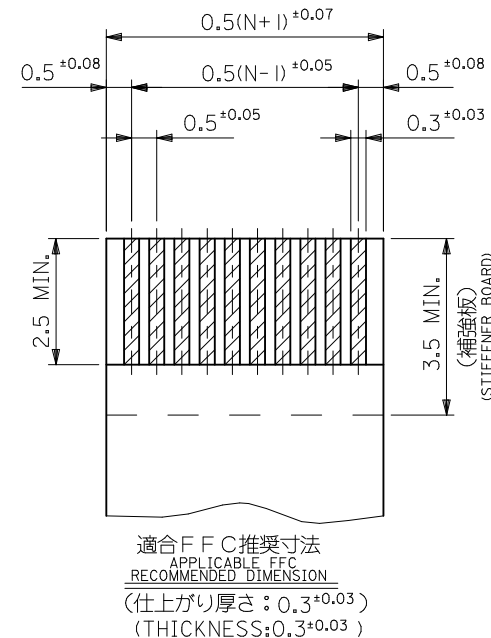
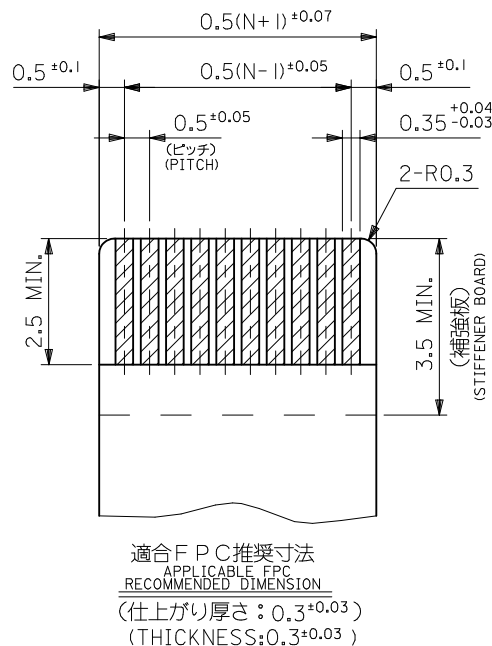
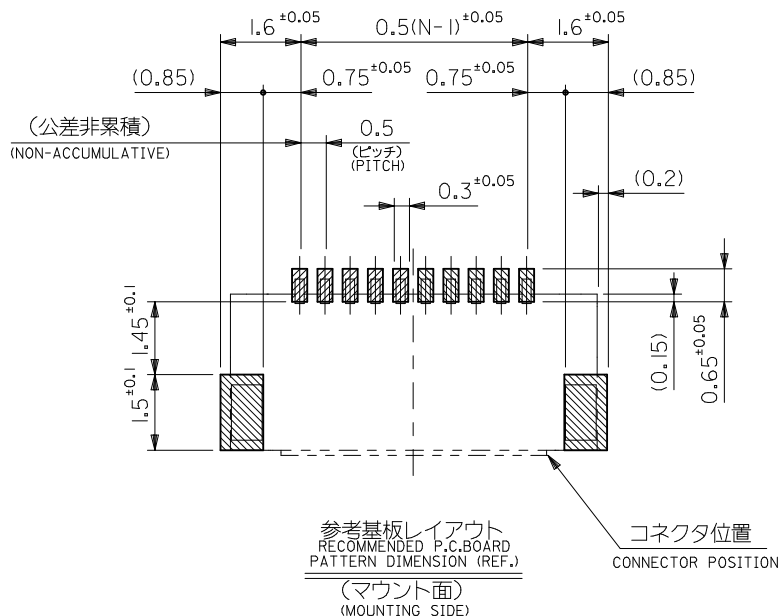
断面 W-W 偶数極
SECT. W-W (EVEN CKT)



(アクチュエータが開いた状態)
(WHEN ACTUATOR IS OPENED)

| | | | | |
|---------------------------------|------|------|------------------|---------|
| 12.3 | 11.5 | 14.3 | 51441-2472 | 24 |
| 11.3 | 10.5 | 13.3 | 51441-2272 | 22 |
| 10.3 | 9.5 | 12.3 | 51441-2072 | 20 |
| 6.3 | 5.5 | 8.3 | 51441-1272 | 12 |
| 5.8 | 5.0 | 7.8 | 51441-1172 | 11 |
| 5.3 | 4.5 | 7.3 | 51441-1072 | 10 |
| 4.3 | 3.5 | 6.3 | 51441-0872 | 8 |
| C | B | A | EMBOSSED TAPE | 極数 |
| | | | ORDER No. オーダー番号 | CIRCUIT |
| CONNECTOR SERIES NO. 51441-**28 | | | | |

| | | | | | | | | | |
|---|-------------|---------------------------------------|--|----------------------------|---|--|------------------------|------------------------|--|
| REVISED EC NO: J2010-1656 DRWN: TONO 2010/02/15 CHKD: SHIMOMIYAMA 2010/02/15 APPR: KMORIKAWA 2010/02/15 | DESCRIPTION | GENERAL TOLERANCES (UNLESS SPECIFIED) | | DIMENSION STYLE MM ONLY | | SCALE 10:1 | DESIGN UNITS METRIC | THIRD ANGLE PROJECTION | |
| | | 10 UNDER | ±0.2 | DRAWN BY M. NABEI | DATE '05/06/29 | TITLE 0.5 FPC CONN. (E/O) HSG ASSY BTM CONT(H=1.1) | | | |
| | | 10 OVER 30 UNDER | ±0.25 | CHECKED BY K. TOYODA | DATE '05/06/29 | MOLEX INCORPORATED DOCUMENT NO. SD-51441-012 SHEET NO. 1 OF 2 | | | |
| | | 30 OVER | ±0.3 | APPROVED BY N. UKITA | DATE '05/06/29 | | | | |
| G | REV | ANGULAR ±3 ° | DRAFT WHERE APPLICABLE MUST REMAIN WITHIN DIMENSIONS | SIZE A3 | THIS DRAWING CONTAINS INFORMATION THAT IS PROPRIETARY TO MOLEX INCORPORATED AND SHOULD NOT BE USED WITHOUT WRITTEN PERMISSION | | | | |



注記 NOTES

1. 使用材料 MATERIAL

ハウジング : 液晶ポリマー ガラス充填, UL94V-0 (ベージュ)
HOUSING LIQUID CRYSTAL POLYMER GLASS FILLED, UL94V-0(BEIGE)
アクチュエータ: ポリフェニレンサルファイド ガラス充填, UL94V-0 (黒)
ACTUATOR POLYPHENYLENE SULFIDE GLASS FILLED, UL94V-0(BLACK)
ターミナル : リン青銅 (t=0.18)
TERMINAL PHOSPOR BRONZE
金具 : リン青銅 (t=0.15)
FITTING NAIL PHOSPOR BRONZE

2. メッキ仕様 PLATING

ターミナル TERMINAL
ニッケル下地金メッキ
GOLD OVER NICKEL PLATING
金具 FITTING NAIL
ニッケル下地金メッキ
TIN OVER NICKEL PLATING

3. エンボステープ梱包時は、アクチュエータが閉じた状態とする。
IN THE PACKAGE, ACTUATOR OF PART NO.51441-**-II SHOULD BE CLOSED.
- △ソルダータール及び金具の平坦度は、0.1以下。
SOLDER TAIL AND FITTING NAIL COPLANARITY TO BE 0.1 MAXIMUM.
- △偶数極に適用。
APPLY FOR EVEN CIRCUIT.
- △パターンはくり止め用金具
FITTING NAIL FOR PREVENTION OF PEELING OF PCB PATTERN.
7. 本製品は 51441-**-29 の部分金メッキ品である。
THIS PRODUCT IS SELECTIVE GOLD OF 51441-**-29.
8. ELV AND RoHS COMPLIANT.

FPC/FFCについて:

打抜き方向は導体側から補強板側を推奨いたします。
導体部については軟銅箔35マイクロメートルまたは50マイクロメートルを推奨いたします。
ABOUT FPC/FFC
RECOMMENDED PUNCHER DIRECTION : FROM CONDUCTOR SIDE TO STIFFENER FILM SIDE.
RECOMMENDED CONDUCTOR SPEC :
THICKNESS OF SOFT COPPER FOIL : 35 MICROMETER OR 50 MICROMETER

FPCについて:

補強フィルム材質はポリイミドを推奨します。
接着剤は熱硬化接着剤を推奨します。
ABOUT FPC
RECOMMENDED MATERIAL :
STIFFENER FILM : POLYIMIDE
BONDING AGENT : THERMOSETTING BONDING AGENT

| | | | | | | | | | |
|---|-------------|---------------------------------------|--|----------------------------|-------------------|---|---|------------------------|--|
| REVISED EC NO: J2010-1656 DRWN: TONO 2010/02/15 CHKD: HSHIMOIYAMA 2010/02/15 APPR: KMORIKAWA 2010/02/15 | DESCRIPTION | GENERAL TOLERANCES (UNLESS SPECIFIED) | | DIMENSION STYLE MM ONLY | | SCALE 10:1 | DESIGN UNITS METRIC | THIRD ANGLE PROJECTION | |
| | | 10 UNDER | ±0.2 | DRAWN BY M. NABEI | DATE '05/06/29 | TITLE 0.5 FPC CONN. (E/O) HSG ASSY BTM CONT(H=1.1) | | | |
| | | 10 OVER 30 UNDER | ±0.25 | CHECKED BY K. TOYODA | DATE '05/06/29 | MOLEX INCORPORATED DOCUMENT NO. SD-51441-012 SHEET NO. 2 OF 2 | | | |
| | | 30 OVER | ±0.3 | APPROVED BY N. UKITA | DATE '05/06/29 | | | | |
| REV | DESCRIPTION | ANGULAR ±3 ° | DRAFT WHERE APPLICABLE MUST REMAIN WITHIN DIMENSIONS | | SEE SHEET 1 | | THIS DRAWING CONTAINS INFORMATION THAT IS PROPRIETARY TO MOLEX INCORPORATED AND SHOULD NOT BE USED WITHOUT WRITTEN PERMISSION | | |