

10 9 8 7 6 5 4 3 2 1

F

E

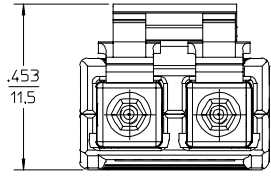
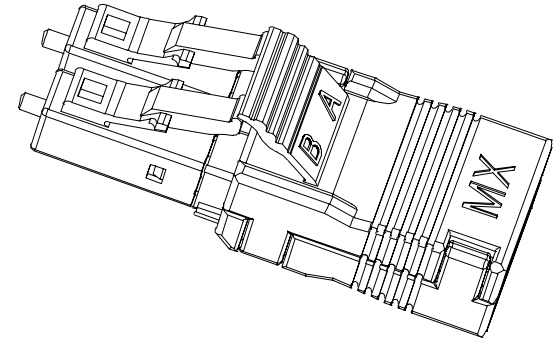
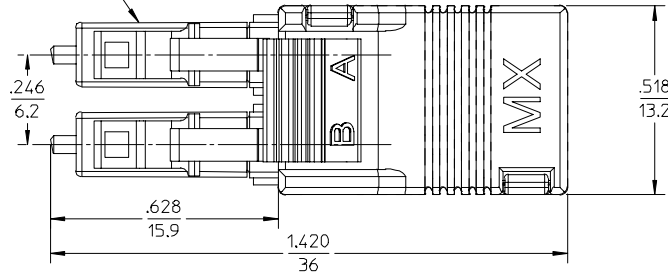
D

C

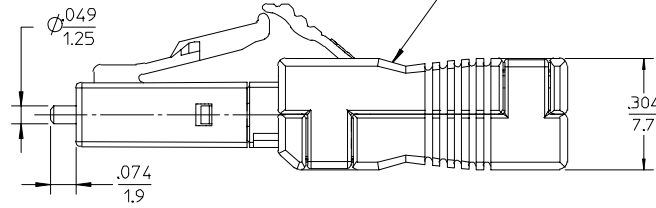
B

A

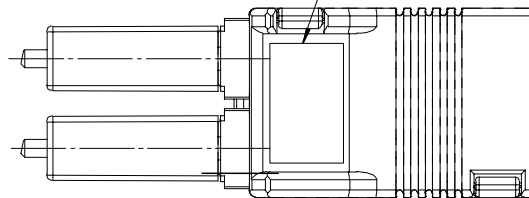
LC/APC CONNECTOR HEAD  
(2x)



LC LOOPBACK BODY,  
GREEN



LABEL  
SEE NOTE 6



NOTES:

1. ALL DIMENSIONS ARE FOR REFERENCE ONLY.
2. DUST CAPS ARE NOT SHOWN, BUT INCLUDED.
3. FIBER TYPE - SINGLEMODE.
4. MAXIMUM INSERTION LOSS PER CONNECTOR (TWO MATED PAIRS):  
AT 1550nm: 3.0dB.  
AT 1310nm: 3.0dB.
5. OPERATING TEMPERATURE RANGE: -40° TO +85°C.
6. LABEL IS PRINTED WITH "APC" AND "3dB" AND PLACED ON THE BACK SIDE OF THE CONNECTOR AS SHOWN.

ENTER DESCRIPTION EC NO: MF2006-0361 DRWNR:RPACIF1C1 CHKD: 2005/12/01 APPR:IGUMIN 2005/12/01 REV A	QUALITY SYMBOLS ▽=0 ▽=0	GENERAL TOLERANCES (UNLESS SPECIFIED)		DIMENSION STYLE IN/MM	SCALE 2:1	DESIGN UNITS INCH	THIRD ANGLE PROJECTION	
		4 PLACES ± --- ±.0002 3 PLACES ±0.005 ±.005 2 PLACES ±0.13 ±.01 1 PLACE ±0.25 ± ---	DRAWN BY RPACIF1C1	DATE 2005/11/22	TITLE LC/APC LOOPBACK SM 9/125UM, GREEN			
		ANGULAR ±1/2°	CHECKED BY	DATE	APPROVED BY			
		DRAFT WHERE APPLICABLE MUST REMAIN WITHIN DIMENSIONS	MATERIAL NO. 1060520050	DOCUMENT NO. SD-106052-0050	MOLEX INCORPORATED			
		SIZE B	THIS DRAWING CONTAINS INFORMATION THAT IS PROPRIETARY TO MOLEX INCORPORATED AND SHOULD NOT BE USED WITHOUT WRITTEN PERMISSION					

9 8 7 6 5 4 3 2 1