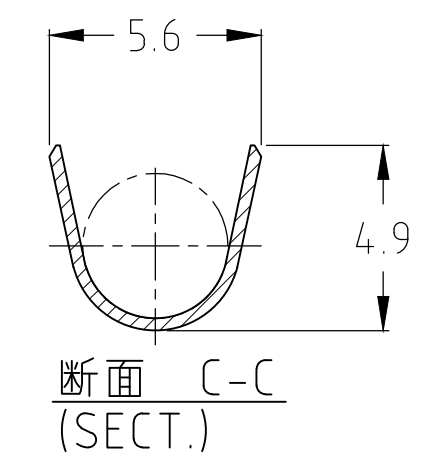
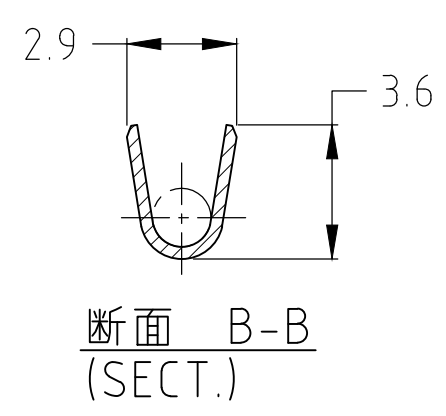
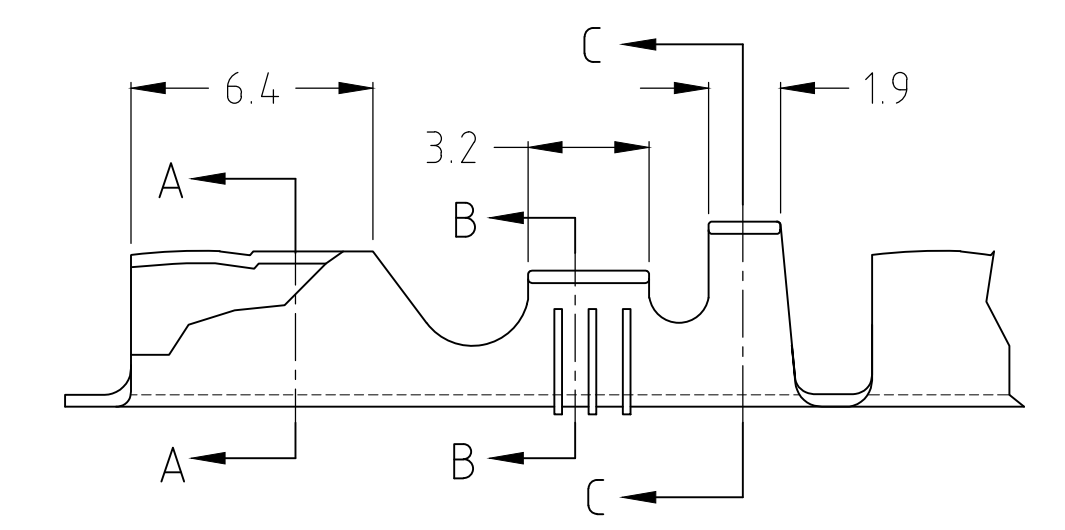
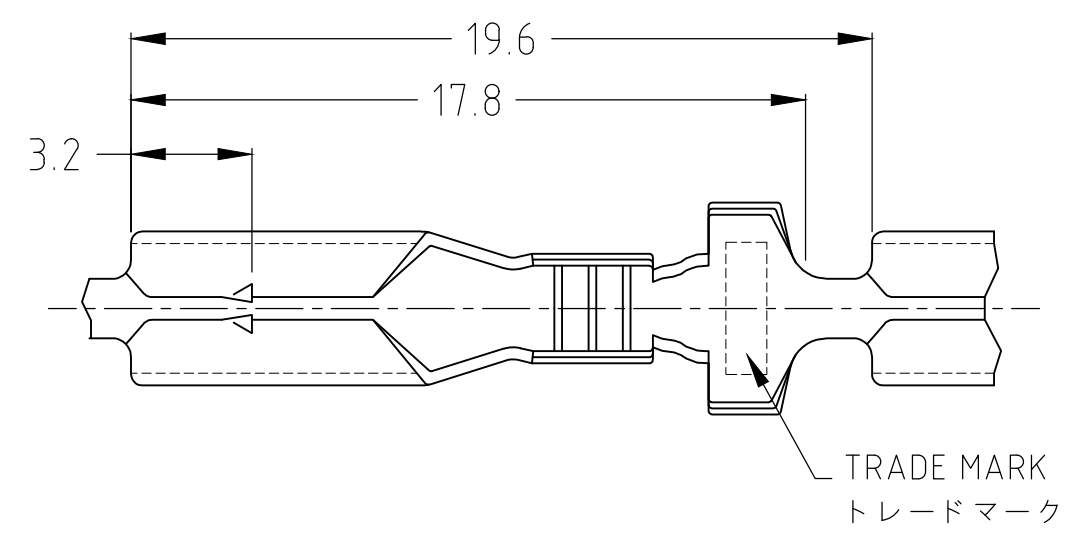


THIS DRAWING IS UNPUBLISHED. RELEASED FOR PUBLICATION  
 © COPYRIGHT BY TYCO ELECTRONICS CORPORATION. ALL RIGHTS RESERVED.

LOC	DIST	REVISIONS 変更					
J		P	LTR	DESCRIPTION	DATE	DWN	APVD
			J1	REVISED PER ECR-17-016303	15NOV2017	BDA	FV



OBSOLETE	1-170012-1	—//—	25000	108-5004	BRIGHT DIP 光沢処理
OBSOLETE	—1-170012-0—	—//—	24000	↑	BRIGHT DIP 光沢処理
	170012-2	170021-1	6000		TIN PLATING 錫めっき
	170012-1	—//—	7000	108-5004	BRIGHT DIP 光沢処理
PART NUMBER 端子型番	LOOSE PIECE NUMBER バラ端子型番		QTY/REEL 1リール当たり数量	PRODUCT SPECIFICATION NUMBER 製品規格番号	FINISH 仕上げ
			0.51~1.42mm <sup>2</sup> (AWG #20~#16)	2.1~3.7mm	
			抱合電線断面積 (WIRE RANGE)	被覆外径 (INSULATION DIA)	

THIS DRAWING IS A CONTROLLED DOCUMENT.		DWN J.SATO 24MAY2007	Tyco Electronics AMP K.K. Kawasaki, Japan		
DIMENSIONS: 単位: 耗 mm		CHK S.MANABE 25MAY2007			
TOLERANCES UNLESS OTHERWISE SPECIFIED: 一般公差		APVD S.MANABE 25MAY2007	PRODUCT SPEC 製品規格 SEE TABLE		
		APPLICATION SPEC 取付適用規格		SIZE A3	CAGE CODE 00779
MATERIAL 材料 BRASS		FINISH 仕上 SEE TABLE		DRAWING NO 番号 C-170012	
WEIGHT 0.45g			RESTRICTED TO —		
CUSTOMER DRAWING			SCALE 尺度 5:1	SHEET 1 OF 1	REV J1