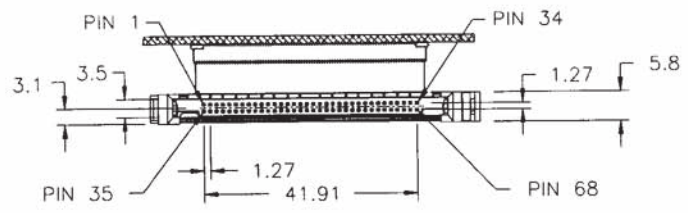
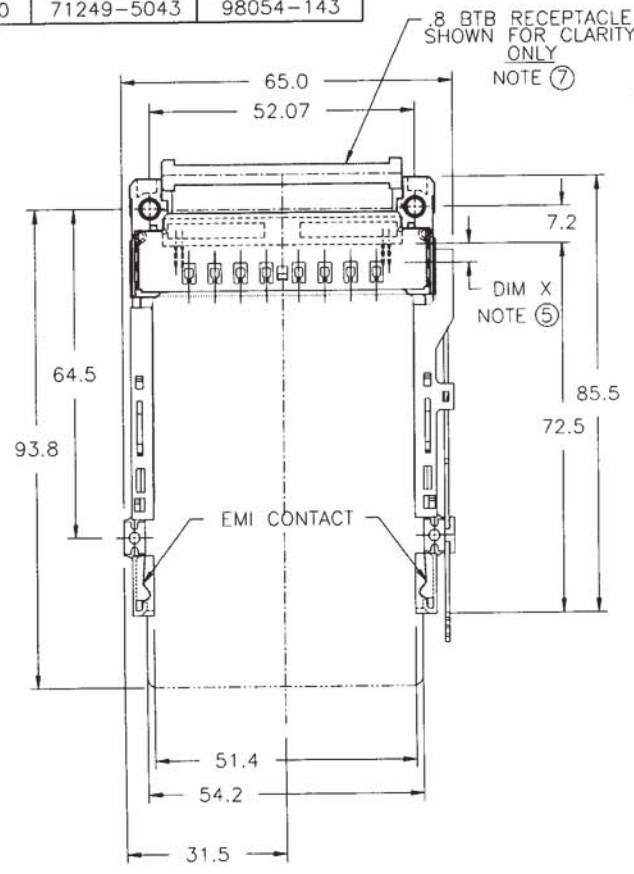


All rights strictly reserved. Reproduction or issue to third parties in any form
 whatever is not permitted without written authority from the proprietor.
 Property of ©BERG ELECTRONICS Copyright BERG ELECTRONICS INC.

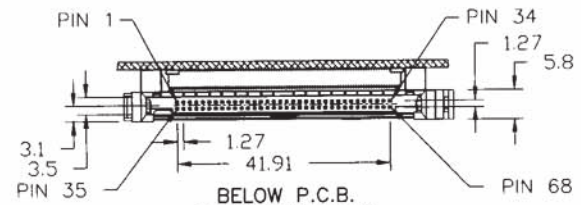
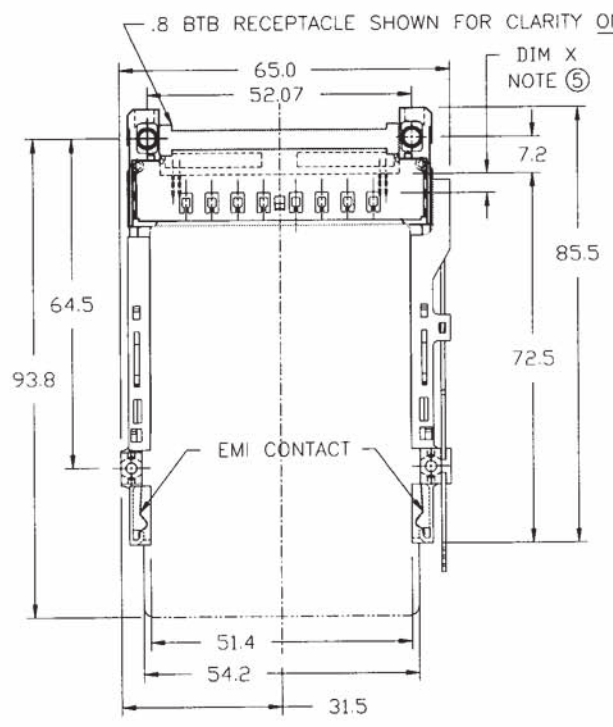
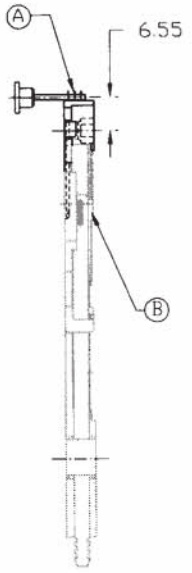
BERG
 ELECTRONICS

Tous droits strictement réservés. Reproduction ou communication à des tiers interdite
 sous quelque forme que ce soit sans autorisation écrite du propriétaire.
 Propriété de ©BERG ELECTRONICS. Droits de reproduction BERG ELECTRONICS INC.

PRODUCT NO.	HEADER ASSY. (A)	MECH. ASSY. (B)
98055-545	71249-5543	98054-100
98055-540	71249-5043	98054-143



BELOW P.C.B.
RIGHT PUSH-ROD
98055-545



BELOW P.C.B.
RIGHT PUSH-ROD
98055-540

mat'l. code				tolerances unless otherwise specified		CUSTOMER COPY		BERG ELECTRONICS			
ltr	ecn no	dr	date	linear	.X ±.3	projection	title	CARDBUS ASSY			
A	V90587	CGC	2/25/99		.XX ±.13			WITHOUT PUSH BUTTON		product family	MCS
					.XXX ±.051			code	-		
				angles	0° ±2'	mm	scale	size	dwg no		
				dr	G.CLEMENS			2/25/99	A4	98055	sheet
				engr	D.BRANN			2/25/99		1 of 2	
				chr	D.BRANN	2/25/99					
				appd	D.BRANN	2/25/99					
sheet index	revision sheet	A	A					cage code	22526		

Tous droits strictement réservés. Reproduction ou communication à des tiers interdite sous quelque forme que ce soit sans autorisation écrite du propriétaire.
 Property of ©BERG ELECTRONICS. Droits de reproduction BERG ELECTRONICS INC.



All rights strictly reserved. Reproduction or issue to third parties in any form whatever is not permitted without written authority from the proprietor.
 Property of ©BERG ELECTRONICS. Copyright BERG ELECTRONICS INC.

HEADER PINOUT	TYPE	BTB 100 POS RECEPTACLE	HEADER PINOUT	TYPE	BTB 100 POS RECEPTACLE	SHIELD PINOUT	TYPE	BTB 100 POS RECEPTACLE
1	GND	1	35	GND	51	1	GND	4 & 54
2	SIG	2	36	DET	52	2	GND	7 & 57
3	SIG	3	37	SIG	53	3	GND	10 & 60
4	SIG	5	38	SIG	55	4	GND	13 & 63
5	SIG	6	39	SIG	56	5	GND	16 & 66
6	SIG	8	40	SIG	58	6	GND	19 & 69
7	SIG	9	41	SIG	59	7	GND	22 & 72
8	SIG	11	42	SIG	61	8	GND	25 & 75
9	SIG	12	43	SIG	62	9	GND	26 & 76
10	SIG	14	44	SIG	64	10	GND	29 & 79
11	SIG	15	45	SIG	65	11	GND	32 & 82
12	SIG	17	46	SIG	67	12	GND	35 & 85
13	SIG	18	47	SIG	68	13	GND	38 & 88
14	SIG	20	48	SIG	70	14	GND	41 & 91
15	SIG	21	49	SIG	71	15	GND	44 & 94
16	SIG	23	50	SIG	73	16	GND	47 & 97
17	PWR	24	51	PWR	74			
18	SIG	27	52	SIG	77			
19	SIG	28	53	SIG	78			
20	SIG	30	54	SIG	80			
21	SIG	31	55	SIG	81			
22	SIG	33	56	SIG	83			
23	SIG	34	57	SIG	84			
24	SIG	36	58	SIG	86			
25	SIG	37	59	SIG	87			
26	SIG	39	60	SIG	89			
27	SIG	40	61	SIG	90			
28	SIG	42	62	SIG	92			
29	SIG	43	63	SIG	93			
30	SIG	45	64	SIG	95			
31	SIG	46	65	SIG	96			
32	SIG	48	66	SIG	98			
33	SIG	49	67	DET	99			
34	GND	50	68	GND	100			

NOTES:

- 8mm MIN CARD EJECT.
- EJECT TRAVEL: 9.5mm
- MATERIAL:
 - 3.1 HEADER ASSY:
 PLASTIC HOUSING: LCP UL94V-0 NATURAL (WHITE) - BELOW PCB
 PIN: PHOSPHOR BRONZE
 PCB: FR4
 - 3.2 EJECT MECHANISM ASSY:
 PLASTIC GUIDE: POLYPHTHARAMID UL94V-0 BLACK
 COVER PLATE, EJECT PLATE, LINK ARM,
 PUSH ROD: STAINLESS STEEL
 EMI CONTACT: PHOSPHOR BRONZE
 - 3.3 .8 BTB RECEPTACLE: (73277-101000)
 PLASTIC: LCP 94V-0 BLACK
 CONTACT: BeCu
- FINISH (PIN)
 UNDER PLATING: 0.5um Ni
 CONTACT AREA: 0.1um GOLD OVER
 0.5um Pd-Ni
 SOLDER TAIL: 2.5um Sn-Pb

⑤ DIM "X"

4.25±0.1	3.5±0.1	5.0±0.1
OTHERS	36,67	1,17,34,35,51,68

- RECOMMENDED SCREW TORQUE: 1.0 TO 1.5 MAX in-lbs. (1.2-1.7 cm-kgs).
 RECOMMENDED HOLD-DOWN: 2mm SCREWS AND HEX NUTS.
 SEE DRAWINGS 95121 AND 92869 FOR CHARTED INFORMATION.
- ORDER MATING RECEPTACLE P/N 73277-101000 SEPARATELY.
- REFER TO TA-1050, PAGE 2, FOR PCB LAYOUT.

mat'l. code		tolerances unless otherwise specified		CUSTOMER COPY		BERG ELECTRONICS	
lfr	ecr no	dr	date	linear	X ±.3	projection	title CARDBUS ASSEMBLY WITHOUT PUSH BUTTON
A					.XX ±.13		
				angles	.XXX ±.051	mm	product family MCS
					0° ±2°		
		dr	G.CLEMENS	2/25/99	scale 1:1	A4	product family size 98055
		enrg	D.BRANN	2/25/99			
		chr	D.BRANN	2/25/99			
		appd	D.BRANN	2/25/99			
sheet index	revision sheet						code 22526