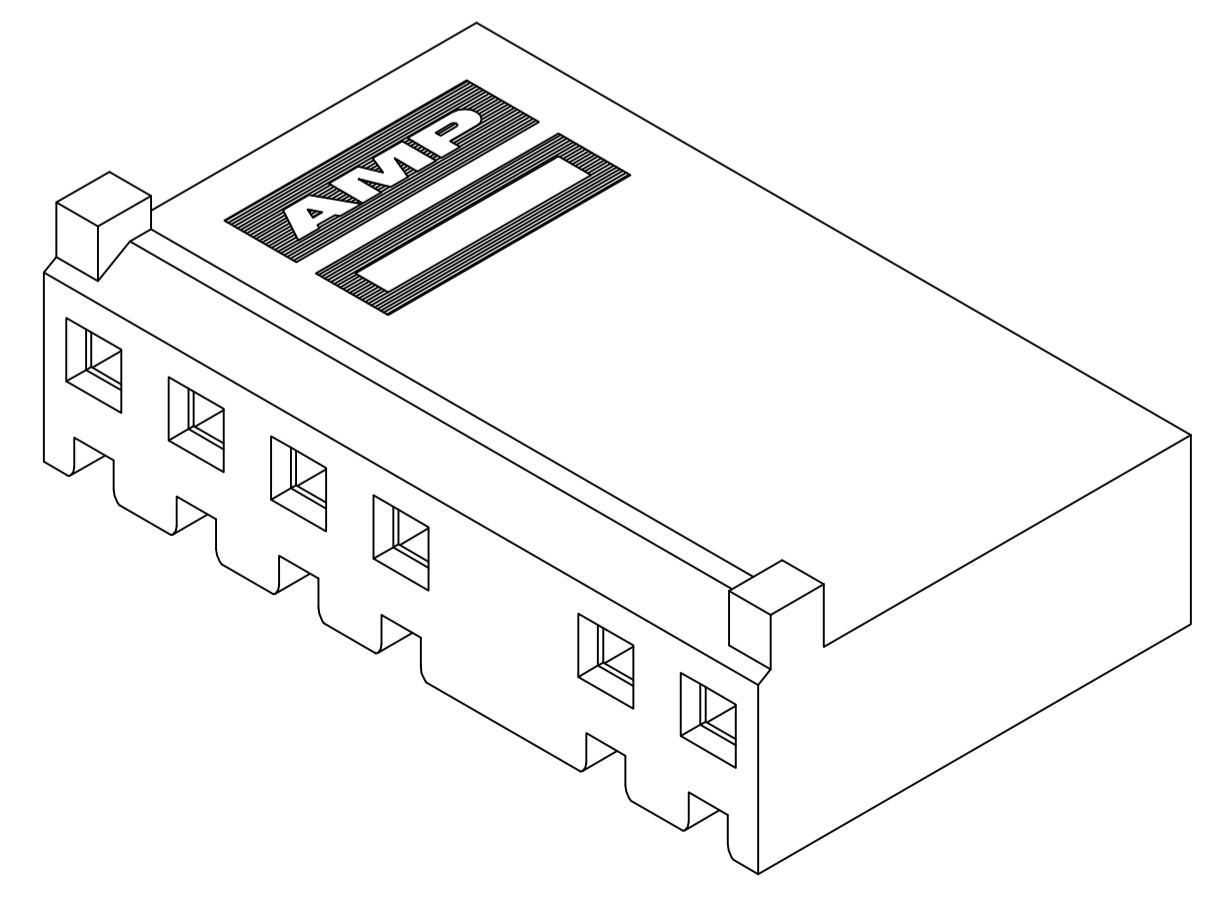
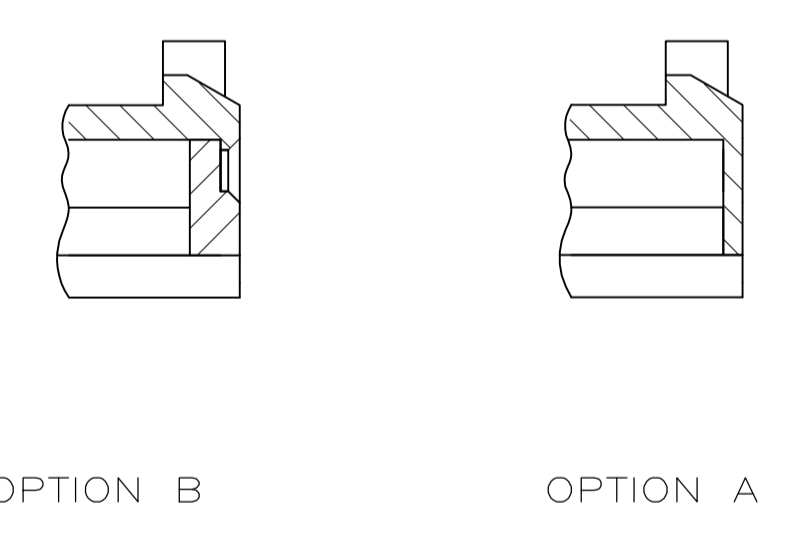
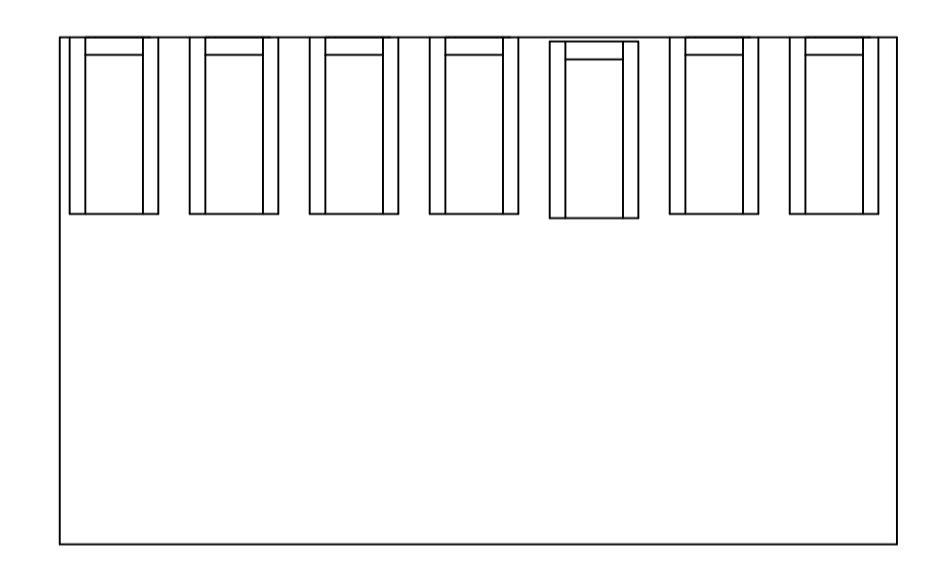
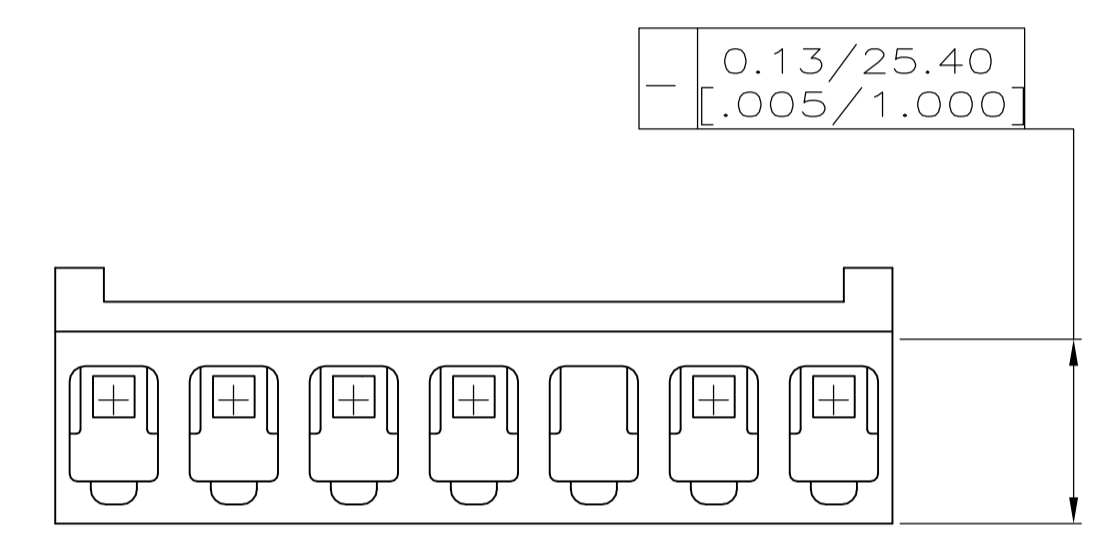
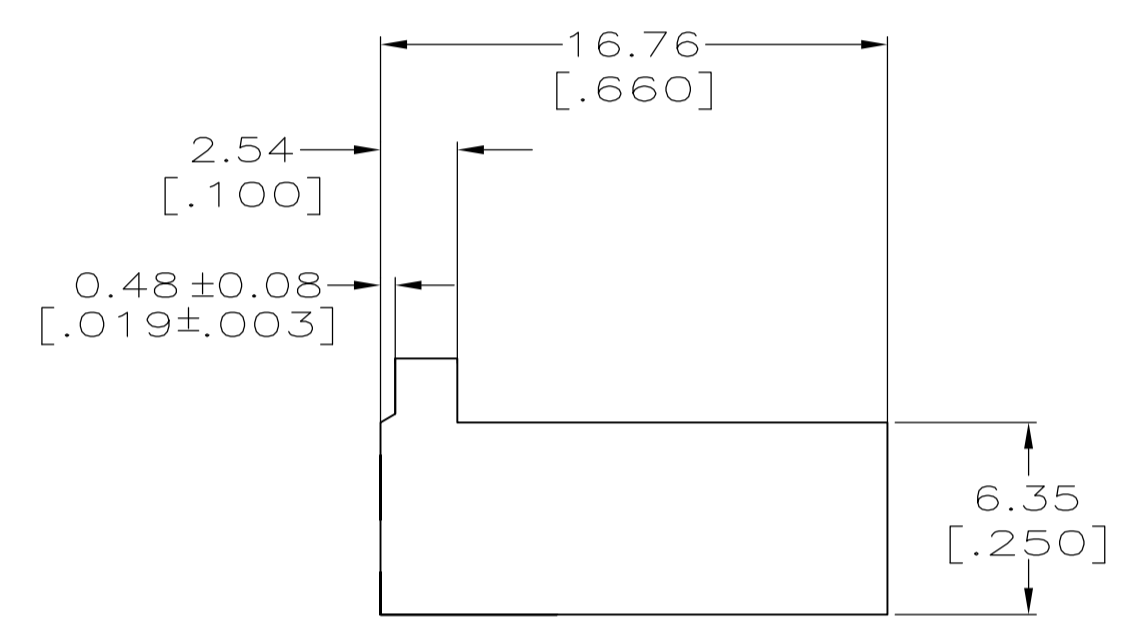
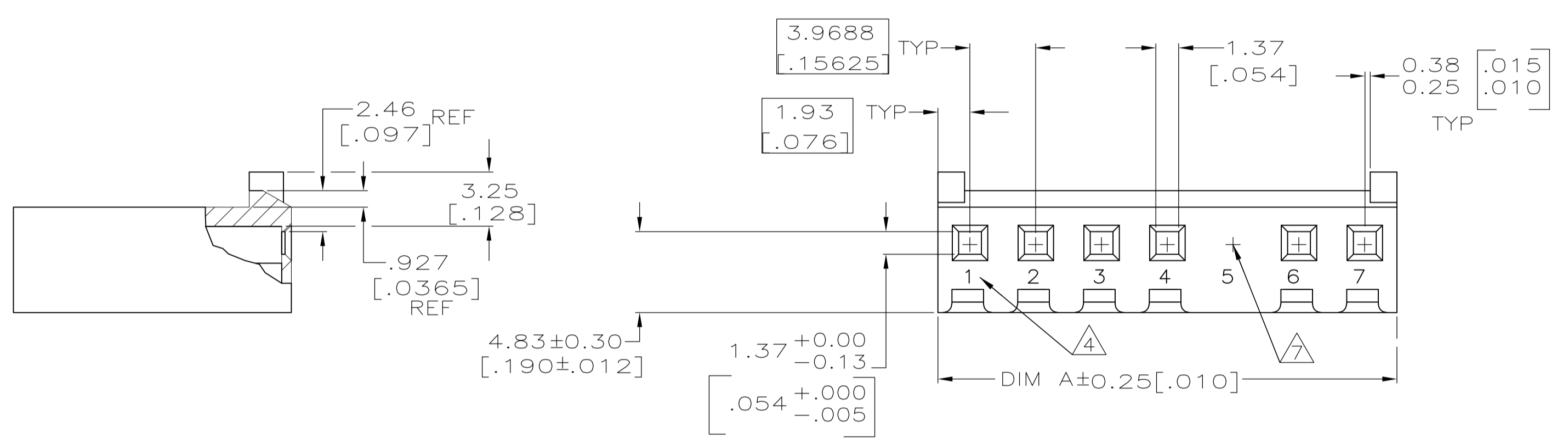
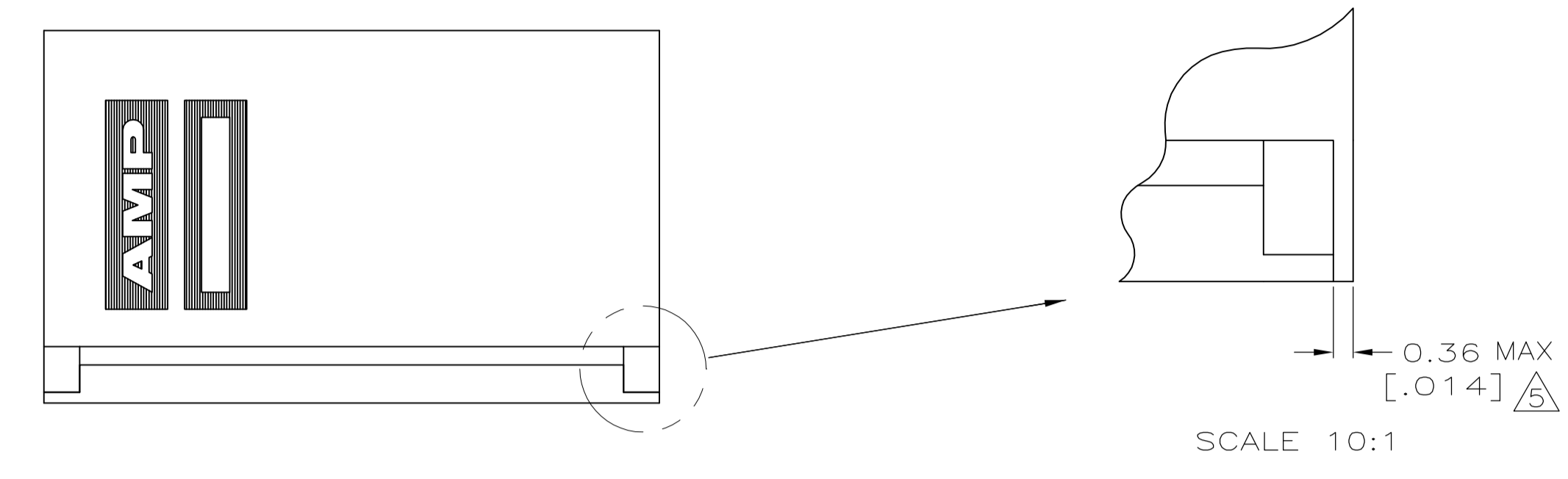


LOC		DIST		REVISIONS			
CM	54	P	LTR	DESCRIPTION	DATE	DMN	APVD
		B		REVISED PER ECO-12-007810	27JUL12	KH	SM

- 1 UNIT ACCEPTS 1.14[.045] SQUARE OR ROUND POST.
- 2 UNIT ACCEPTS STANDARD SL-156 CONTACTS.
- 3 UNIT ACCEPTS KEYING PLUG 640254-1 AND KEYING PIN 640255-1.
- 4 IDENTIFICATION NUMBER FOR ALL POSITIONS, OR FOR POSITION 1 ONLY, WILL BE LOCATED AS SHOWN.
- 5 OPTIONAL CONSTRUCTION, BOTH ENDS.
- 6 DIMENSIONS IN BRACKETS ARE IN INCHES.
- 7 CIRCUIT NO.5 IS MOLDED CLOSED, USING EITHER OPTION A OR OPTION B.



3-DIMENSIONAL MODEL NTS

27.69[1.090]	7	647175-7
DIM A	NO OF POSN	PART NUMBER

THIS DRAWING IS A CONTROLLED DOCUMENT.		DIN B LEWIS 3-05-98		TE Connectivity	
DIMENSIONS: mm [INCHES]		CIRK R SWING 3-05-98		NAME	
TOLERANCES UNLESS OTHERWISE SPECIFIED:		APVD B GENTRY 3-5-98		HOUSING WITH LOCKING RAMP AND POLARIZING TABS, CIRCUIT NO. 5 CLOSED, SL-156	
0 PLC ± -	1 PLC ± -	2 PLC ± -	3 PLC ± 0.13 [.005]	4 PLC ± -	ANGLES ± -
MATERIAL NYLON, UL 94V-0	FINISH -	WEIGHT -	SIZE A1	CAGE CODE 00779	DRAWING NO. 647175
CUSTOMER DRAWING			SCALE 4:1	SHEET 1 OF 1	REV B