

Xtrinsic MMA27XXW/17XXW DSI3 Inertial Sensor

MMA27XXW/17XXW family, a SafeAssure solution, includes the DSI3 compatible overdamped X-axis or Z-axis satellite accelerometers.

Features

- ± 25 g, ± 125 g, ± 187 g, ± 250 g, ± 375 g, X-axis nominal full-scale range
- ± 250 g, Z-axis nominal full-scale range
- DSI3 compatible
 - Discovery Mode for physical location identification
 - High-side bus switch output driver
 - Command and Response Mode support for device configuration
 - Periodic Data Collection Mode support for acceleration data transfers
 - Background Diagnostic Mode support during Periodic Data Collection Mode
- -40°C to 125°C operating temperature range
- 16 μs internal sample rate, with interpolation to 1 μs
- Six selectable low-pass filter options from 180 Hz to 1200 Hz
- Single-pole, IIR high-pass filter with fast startup and optional output rate limiting
- Pb-Free, 16-pin QFN, 6 x 6 package

Referenced Documents

- DSI3 Standard Revision 1.0, Dated February 16, 2011
- AEC-Q100, Revision G, dated May 14, 2007

ORDERING INFORMATION

Part Number	Axis	Range	Package	Shipping
MMA2702W	X	± 25 g	2086-01	Rail
MMA2712W	X	± 125 g	2086-01	Rail
MMA2718W	X	± 187 g	2086-01	Rail
MMA2725W	X	± 250 g	2086-01	Rail
MMA2737W	X	± 375 g	2086-01	Rail
MMA1725W	Z	± 250 g	2086-01	Rail
MMA2702WR2	X	± 25 g	2086-01	Tape & Reel
MMA2712WR2	X	± 125 g	2086-01	Tape & Reel
MMA2718WR2	X	± 187 g	2086-01	Tape & Reel
MMA2725WR2	X	± 250 g	2086-01	Tape & Reel
MMA2737WR2	X	± 375 g	2086-01	Tape & Reel
MMA1725WR2	Z	± 250 g	2086-01	Tape & Reel

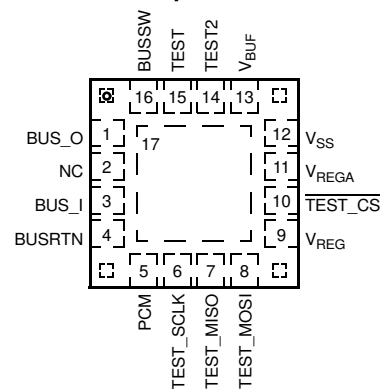
MMA27XXW
MMA17XXW

Bottom View



16-PIN QFN
6 MM X 6 MM X 2 MM
CASE 2086-01

Top View



Pin Connections

This document contains information on a new product. Specifications and information herein are subject to change without notice. Freescale reserves the right to change the detail

© 2013 Freescale Semiconductor, Inc. All rights reserved.

Contents

1	Block Diagram, Pin Descriptions, Application Diagram, and Device Orientation	3
1.1	Block diagram	3
1.2	Pin descriptions	4
1.3	Application diagram	5
1.4	Device orientation and device marking	6
2	Electrical Characteristics	7
2.1	Maximum ratings	7
2.2	Operating range	7
2.3	Electrical characteristics - supply and I/O	8
2.4	Electrical Characteristics - sensor and signal chain	9
2.5	Electrical characteristics - self-test and overload	10
2.6	Dynamic electrical characteristics - DSI3	11
2.7	Dynamic electrical characteristics - signal chain	12
2.8	Dynamic electrical characteristics - supply and support circuitry	13
3	Functional Description	14
3.1	User-accessible data array	14
3.2	OTP and Read/Write register array CRC verification	31
3.3	Voltage regulators	33
3.4	Internal oscillator	37
3.5	Acceleration signal path	38
3.6	DSI3 physical layer	55
3.7	Data transmission modes	58
3.8	Initialization timing	59
3.9	Overload response	60
4	DSI3 Protocol	61
4.1	Address assignment	61
4.2	DSI3 Command and Response Mode	62
4.3	DSI3 Periodic Data Collection Mode and Background Diagnostic Mode	72
4.4	Maximum number of devices on a network	77
5	Exception Handling	78
6	Recommended Footprint	79
7	Package Dimensions	80
8	Revision History	83

Related Documentation

The MMA27XXW and MMA17XXW devices features and operations are described in a variety of reference manuals, user guides, and application notes. To find the most-current versions of these documents:

- Go to the Freescale homepage at:
<http://www.freescale.com/>
- In the Keyword search box at the top of the page, enter the device number MMA27XXW or MMA17XXW.
- In the Refine Your Result pane on the left, click on the Documentation link.

MMA27XXW

1 Block Diagram, Pin Descriptions, Application Diagram, and Device Orientation

1.1 Block diagram

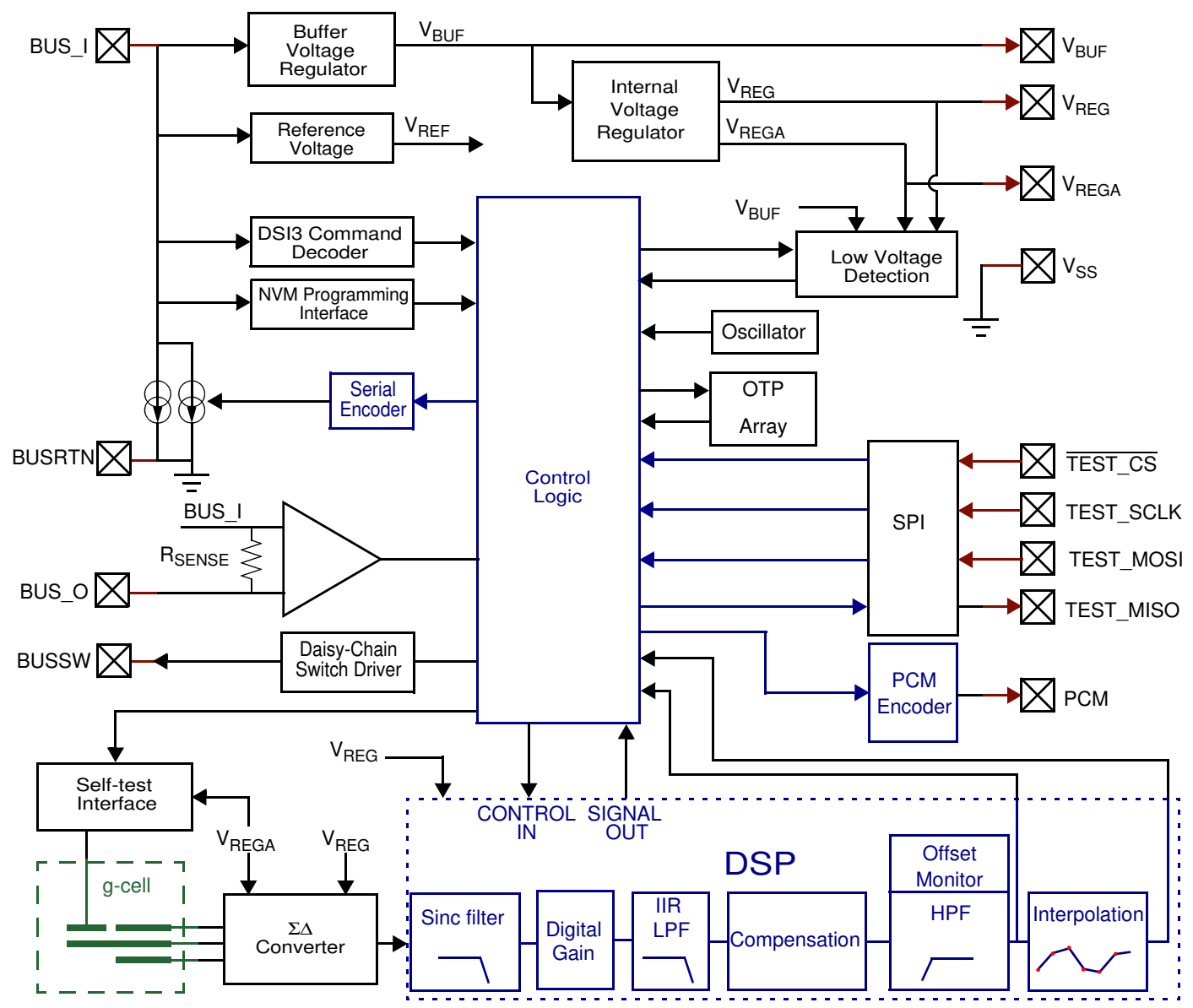


Figure 1. Internal block diagram

1.2 Pin descriptions

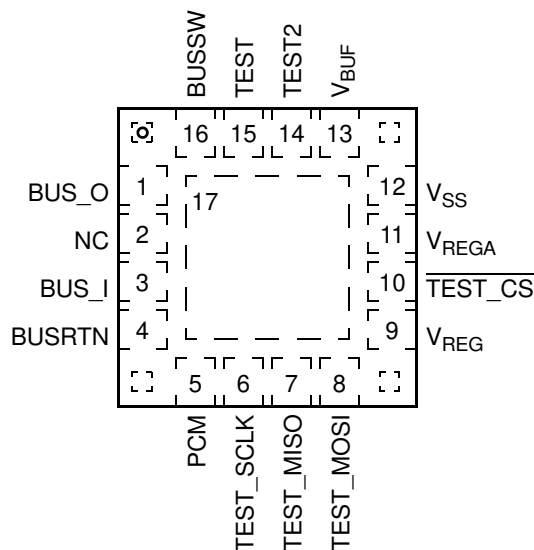


Figure 2. Pin connections

Table 1. Pin descriptions

Pin	Pin name	Formal name	Definition
1	BUS_O	Supply out	This pin is connected to the BUS_I pin through an internal sense resistor and provides the supply connection to the next slave in a daisy-chain configuration. An external capacitor must be connected between this pin and V_{SS} . Reference Figure 3 .
2	NC	Not connected	This pin is not internally connected and must be left unconnected or tied to V_{SS} in the application.
3	BUS_I	Supply and communication	This pin is connected to the DSI supply line and supplies power to the device. An external capacitor must be connected between this pin and BUSRTN. Reference Figure 3 .
4	BUSRTN	Supply return	This pin is the DSI supply return node.
5	PCM	Pulse code modulated output	If the PCM output is enabled, this pin provides a 4 MHz PCM signal proportional to the acceleration data for test purposes. If PCM is unused, this pin must be left unconnected.
6	TEST_SCLK	SPI clock	This input pin provides the serial clock to the SPI port for test purposes. An internal pull-down device is connected to this pin. This pin must be grounded or left unconnected in the application.
7	TEST_MISO	SPI data out	This pin functions as the serial data output from the SPI port for test purposes. This pin must be left unconnected in the application.
8	TEST_MOSI	SPI data in	This pin functions as the serial data input to the SPI port for test purposes. An internal pull-down device is connected to this pin. This pin must be grounded or left unconnected in the application.
9	V_{REG}	Internal supply	This pin is connected to the power supply for the internal circuitry. An external capacitor must be connected between this pin and V_{SS} . Reference Figure 3 .
10	$\overline{TEST_CS}$	Chip select	This input pin provides the chip select to the SPI port for test purposes. An internal pullup device is connected to this pin. This pin must be left unconnected in the application.
11	V_{REGA}	Internal supply	This pin is connected to the power supply for the internal circuitry. An external capacitor must be connected between this pin and V_{SSA} . Reference Figure 3 .
12	V_{SS}	Internal supply return	This pin is the power supply return node for the internal power supplies and must be connected to BUSRTN in this application.
13	V_{BUF}	Power supply	This pin is connected to a buffer regulator for the internal circuitry. The buffer regulator supplies the internal regulators to provide immunity from EMC and supply dropouts. An external capacitor must be connected between this pin and V_{SS} . Reference Figure 3 .
14	TEST2	Test pin	This pin is must be connected to V_{SS} in the application.
15	TEST	Test pin	This pin is must be connected to V_{SS} in the application.
16	BUSSW	Bus switch gate drive	This pin is the drive for a high-side, daisy-chain switch. When switch is connected, daisy-chain mode is used, this pin is connected to the gate of a p-channel FET which connects BUS_I to the next slave in the daisy chain. An external pullup resistor is required on the gate of the p-channel FET. Reference Section 3.6.4 . If unused, this pin must be left unconnected.
17	PAD	Die attach pad	This pin is the die attach flag, and is internally connected to V_{SS} . Reference Section 6 for die attach pad connection details.
	Corner pads	Corner pads	The corner pads are internally connected to V_{SS} .

1.3 Application diagram

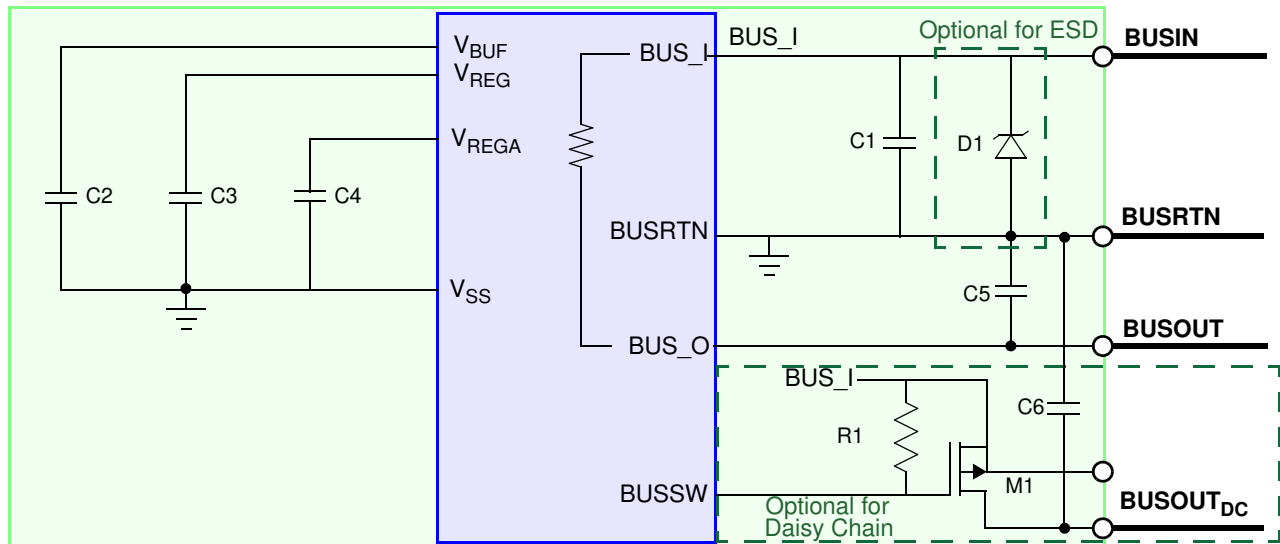


Figure 3. MMA27XXW/17XXW application diagram

Table 2. External component recommendations

Ref Des	Type	Description	Purpose
C1	Ceramic	220 pF, 10%, 50 V minimum, X7R	BUSIN EMC and ESD protection. Capacitor value is dependent on the DSI3 master device and must be chosen by the system implementer.
C2	Ceramic	1 μ F, 10%, 10 V minimum, X7R	Voltage regulator output capacitor
C3	Ceramic	1 μ F, 10%, 10 V minimum, X7R	Voltage regulator output capacitor
C4	Ceramic	1 μ F, 10%, 10 V minimum, X7R	Voltage regulator output capacitor
C5	Ceramic	100 pF, 10%, 50 V minimum, X7R	BUSOUT EMC and ESD protection
C6	Ceramic	100 pF, 10%, 50 V minimum, X7R	BUSOUT EMC and ESD protection
R1	General purpose	100 k Ω , 5%, 200 PPM	Pullup resistor for external high-side, daisy-chain FET
M1	P-channel MOSFET		High-side, daisy-chain transistor
D1	Zener diode	MMBZ27Vxxxx or equivalent	ESD protection diode

1.4 Device orientation and device marking

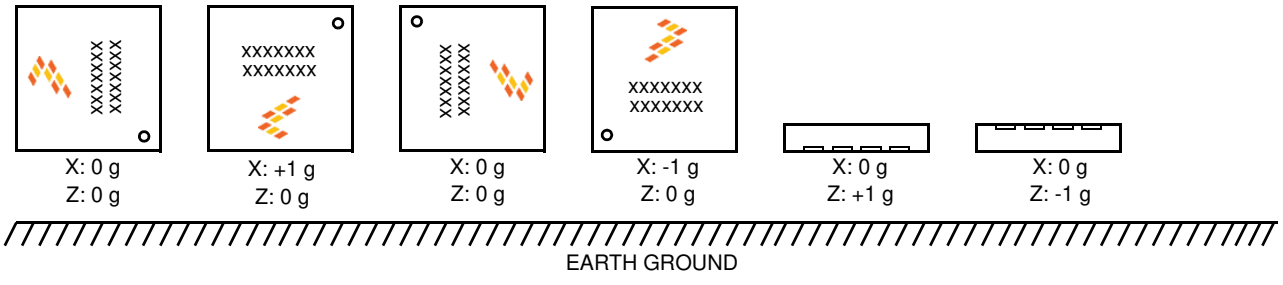


Figure 4. Device orientation diagram

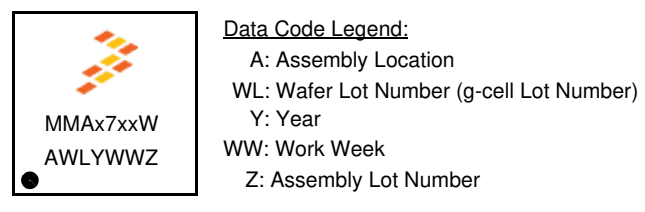


Figure 5. Device marking

2 Electrical Characteristics

2.1 Maximum ratings

Maximum ratings are the extreme limits to which the device can be exposed without permanently damaging it.

#	Rating	Symbol	Value	Unit	
1	Supply voltage (BUS_I, BUS_O, BUSSW)				
2	Reverse current ≤ 160 mA, $t \leq 80$ ms	BUS_I_REV	-0.7	V	(6)
3	Continuous	BUS_I_MAX	+20.0	V	(6)
4	Transient (< 10 us)	BUS_I_TRANS	+25.0	V	(9)
5	V_{BUF}		-0.3 to +4.0	V	(6)
6	V_{REG} , V_{REGA} , TEST_SCLK, TEST_CS, TEST_MOSI, TEST_MISO, PCM		-0.3 to +3.0	V	(6)
7	BUS_I, BUS_O and BUSRTN current				
8	Maximum duration 560 μ s, with 10 ms repetition rate	I_{IN}	200	mA	(6)
9	Continuous	I_{IN}	150	mA	(6)
10	Powered shock (six sides, 0.5 ms duration)	g_{pms}	± 2000	g	(5)
11	Unpowered shock (six sides, 0.5 ms duration)	g_{shock}	± 2000	g	(5)
12	Drop shock (to concrete, tile or steel surface, 10 drops, any orientation)	h_{DROP}	1.2	m	(5)
13	Electrostatic discharge (per AEC-Q100), external pins				
14	BUS_I, BUS_O, BUSRTN, HBM (100 pF, 1.5 k Ω)	V_{ESD}	± 4000	V	(5)
15	Electrostatic discharge (per AEC-Q100)				
16	HBM (100 pF, 1.5 k Ω)	V_{ESD}	± 2000	V	(5)
17	CDM (R = 0 Ω)	V_{ESD}	± 500	V	(5)
18	MM (200 pF, 0 Ω)	V_{ESD}	± 200	V	(5)
19	Temperature range				
20	Storage	T_{stg}	-40 to +125	$^{\circ}$ C	(5)
21	Junction	T_J	-40 to +150	$^{\circ}$ C	(9)
22	Thermal resistance	θ_{JC}	2.5	$^{\circ}$ C/W	(9,11)

2.2 Operating range

$V_{BUS_I_L} \leq (V_{BUS_I} - V_{SS}) \leq V_{BUS_I_H}$, $T_L \leq T_A \leq T_H$, $\Delta T \leq 12^{\circ}$ C/min, unless otherwise specified.

#	Characteristic	Symbol	Min	Typ	Max	Units	
23	Supply voltage (measured at BUS_I pin)						
24	V_{HIGH}	* $V_{BUS_I_HIGH_max}$	—	—	20.0	V	(1,6)
25	V_{LOW} rising	$V_{BUS_I_LOW_Rise}$	4.5	—	—	V	(9)
26	V_{LOW} falling	* $V_{BUS_I_LOW_Fall}$	4.0	—	—	V	(1)
27	Supply voltage (undervoltage)	$V_{BUS_I_UV}$	$V_{BUS_I_UV_F}$	—	$V_{BUS_I_LOW_Fall}$	V	(3,6)
28	Programming voltage ($I_{RD} \leq 85$ mA) Applied to BUS_I	VPP	14.0	—	$V_{BUS_I_HIGH_max}$	V	(6)
29	ESD operating voltage						
30	(No device reset, $C_{BUS_IN} = 220$ pF, D1 = MMBZ27Vxxxx)						
31	Maximum ± 15 kV air discharge, 330 pF, 2.0 k Ω	$V_{BUS_I_ESD}$	—	—	12.0	V	(9)
32	Operating temperature range		T_L		T_H		
33		T_A	-40	—	+105	$^{\circ}$ C	(1)
34		T_A	-40	—	+125	$^{\circ}$ C	(5,6)

2.3 Electrical characteristics - supply and I/O

$V_{BUS_I_L} \leq (V_{BUS_I} - V_{SS}) \leq V_{BUS_I_H}$, $T_L \leq T_A \leq T_H$, $\Delta T \leq 12$ °C/min, unless otherwise specified.

#	Characteristic	Symbol	Min	Typ	Max	Units	
35	Quiescent supply current $V_{BUS_I} = 4$ V, $V_{BUS_I} = 20$ V	I_q	4.0	—	8.0	mA	(1)
36	Response current Low	I_{RESP}	$I_{q+} 10.50$	$I_{q+} 12.0$	$I_{q+} 13.5$	mA	(1)
37	High	$2 * I_{RESP}$	$I_{q+} 21.0$	$I_{q+} 24.0$	$I_{q+} 27.0$	mA	(1)
38	V_{BUF} current limit	I_{INRUSH_MAX}	—	—	30	mA	(6)
39	Internally regulated voltages V_{BUF} , $V_{BUS_I} = 4$ V, $V_{BUS_I} = 20$ V	V_{BUF}	3.250	3.400	3.550	V	(1)
40	V_{REG} , $V_{BUS_I} = 4$ V	V_{REG}	2.400	2.500	2.600	V	(1)
41	V_{REGA} , $V_{BUS_I} = 4$ V, $V_{BUS_I} = 20$ V	V_{REGA}	2.425	2.500	2.575	V	(1)
42	Low-voltage detection threshold BUS_I falling	$V_{BUS_I_UV_F}$	3.60	3.75	3.90	V	(3,6)
43	V_{BUF} falling	$V_{BUF_UV_F}$	2.80	3.05	3.20	V	(3,6)
44	V_{REG} falling	$V_{REG_UV_F}$	2.15	2.25	2.35	V	(3,6)
45	V_{REGA} falling	$V_{REGA_UV_F}$	2.15	2.25	2.35	V	(3,6)
46	Low-voltage detection hysteresis	V_{HYST}	0.04	—	—	V	(6)
47	External capacitor (V_{BUF} , V_{REG} , V_{REGA}) Capacitance	C_{VBUF} , C_{VREG} , C_{VREGA}	500	1000	1500	nF	(9)
48	ESR (including interconnect resistance)	ESR	0	—	200	mΩ	(9)
49	V_{LOW} detection threshold (Section 3.6.1) V_{LOW} detection threshold	V_{DELTA_THRESH}	$V_{HIGH} - 1.25$	$V_{HIGH} - 1.0$	$V_{HIGH} - 0.75$	V	(3,6)
50	V_{LOW} detection hysteresis	$V_{DELTA_THRESH_Hyst}$	40	60	80	mV	(6)
51	Discovery Mode current sense (Section 3.6.3) Sense resistor	R_{SENSE}	1.3	2.15	3	Ω	(6)
52	I_{RESP} detection threshold ($I_{BUS_O_q} \leq 24$ mA)	I_{RESP_Det} , V_{IRESP_Offset}	6	12	18	mA	(3,6)
53	Bus switch output low voltage (Section 3.6.4) $I_{Load} = 100$ μA	$V_{BUS_SW_OL}$	0.0	—	0.45	V	(3,6)
54	Bus switch open drain output leakage current (BUSSW) $V_{BUSSW} = 20$ V	$I_{BUS_SW_ODL}$	—	—	10	μA	(3,6)
55	Output high voltage (PCM) $I_{Load} = -100$ μA	V_{OH}	$V_{REG} - 0.1$	—	—	V	(3)
56	Output low voltage (PCM) $I_{Load} = 100$ μA	V_{OL}	—	—	0.1	V	(3)

2.4 Electrical Characteristics - sensor and signal chain

$V_{BUS_I_L} \leq (V_{BUS_I} - V_{SS}) \leq V_{BUS_I_H}$, $T_L \leq T_A \leq T_H$, $\Delta T \leq 12 \text{ }^\circ\text{C/min}$, unless otherwise specified.

#	Characteristic	Symbol	Min	Typ	Max	Units	
57	Sensitivity ($T_A = 25^\circ\text{C}$, 10-bit output @ 100 Hz, referenced to 0Hz: $\pm 5\%$) $\pm 25 \text{ g}$ range	* SENS ₀₂₅	19.456	20.480	21.504	LSB/g	(1)
58	$\pm 125 \text{ g}$ range	* SENS ₁₂₅	3.8912	4.0960	4.3008	LSB/g	(1)
59	$\pm 187 \text{ g}$ range	* SENS ₁₈₇	2.5944	2.7310	2.8676	LSB/g	(1)
60	$\pm 250 \text{ g}$ range	* SENS ₂₅₀	1.9456	2.0480	2.1504	LSB/g	(1)
61	$\pm 375 \text{ g}$ range	* SENS ₃₇₅	1.2967	1.3650	1.4333	LSB/g	(1)
62	Sensitivity ($T_L \leq T_A \leq T_H$, $V_{BUS_I_UV_F} \leq V_{BUS_I} \leq V_{LOW}$ 10-bit output @ 100 Hz, referenced to 0 Hz: $\pm 7\%$) $\pm 25 \text{ g}$ range	* SENS ₀₂₅	19.046	20.480	21.914	LSB/g	(1)
63	$\pm 125 \text{ g}$ range	* SENS ₁₂₅	3.8092	4.0960	4.3828	LSB/g	(1)
64	$\pm 187 \text{ g}$ range	* SENS ₁₈₇	2.5398	2.7310	2.9222	LSB/g	(1)
65	$\pm 250 \text{ g}$ range	* SENS ₂₅₀	1.9046	2.0480	2.1914	LSB/g	(1)
66	$\pm 375 \text{ g}$ range	* SENS ₃₇₅	1.2694	1.3650	1.4606	LSB/g	(1)
67	Digital offset before offset cancellation (10-bit) $\pm 25 \text{ g}$, $\pm 125 \text{ g}$, $\pm 250 \text{ g}$ Z-axis	* OFF _{10Bit}	-100	0	+100	LSB	(1)
68	$V_{BUS_I_UV_F} \leq V_{BUS_I} \leq V_{LOW}$, $\pm 25 \text{ g}$, $\pm 125 \text{ g}$, $\pm 250 \text{ g}$ Z-axis	OFF _{10Bit}	-100	0	+100	LSB	(6)
69	$\pm 187 \text{ g}$, $\pm 250 \text{ g}$ X-axis, $\pm 375 \text{ g}$	* OFF _{10Bit}	-52	0	+52	LSB	(1)
70	$V_{BUS_I_UV_F} \leq V_{BUS_I} \leq V_{LOW}$, $\pm 187 \text{ g}$, $\pm 250 \text{ g}$ X-axis, $\pm 375 \text{ g}$	OFF _{10Bit}	-52	0	+52	LSB	(6)
71	Digital offset after offset cancellation (10-bit, all filter options)	OFF _{10Bit}	-1	0	+1	LSB	(6,8,9)
72	Continuous offset monitor limit 10-bit output, before compensation, $\pm 25 \text{ g}$	OFF _{MON}	-150	—	+150	LSB	(7,8)
73	10-bit output, before compensation, $\pm 125 \text{ g}$, $\pm 250 \text{ g}$ Z-axis	OFF _{MON}	-120	—	+120	LSB	(7,8)
74	10-bit output, before compensation, $\pm 187 \text{ g}$, $\pm 250 \text{ g}$ X-axis, $\pm 375 \text{ g}$	OFF _{MON}	-70	—	+70	LSB	(7,8)
75	Range of output (10-bit mode) Acceleration (signed)	RANGE _{Signed}	-511	—	+511	LSB	(7,8)
76	Acceleration (unsigned)	RANGE _{Unsigned}	1	—	1023	LSB	(7,9)
77	Error code (signed)	ERR _{Signed}	—	-512	—	LSB	(7,8)
78	Error code (unsigned)	ERR _{Unsigned}	—	0	—	LSB	(7,9)
79	Cross-axis sensitivity Z-axis to X-axis	V _{ZX}	-5	—	+5	%	(6)
80	Y-axis to X-axis	V _{YX}	-5	—	+5	%	(6)
81	X-axis to Z-axis	V _{XZ}	-5	—	+5	%	(6)
82	Y-axis to Z-axis	V _{YZ}	-5	—	+5	%	(6)
83	System output noise peak (peak value of 100 samples @ 2 kHz) 10-bit mode, LPF = 180 Hz, 2-Pole, All Ranges	n _{Peak_180}	-3	—	+3	LSB	(1)
84	10-bit mode, LPF = 400 Hz, 4-Pole, All Ranges	n _{Peak_400}	-4	—	+4	LSB	(6)
85	System output noise average (average value of 100 samples @ 2 kHz) 10-bit mode, LPF = 180 Hz, 2-pole, all ranges	* n _{RMS_180}	—	—	+1.0	LSB	(1)
86	10-bit mode, LPF = 400 Hz, 4-pole, all ranges	* n _{RMS_400}	—	—	+1.0	LSB	(6)
87	Nonlinearity (10-bit output, all ranges)	NL _{OUT}	-2	—	+2	%	(6)

2.5 Electrical characteristics - self-test and overload

$V_{BUS_I_L} \leq (V_{BUS_I} - V_{SS}) \leq V_{BUS_I_H}$, $T_L \leq T_A \leq T_H$, $\Delta T \leq 12^\circ\text{C}/\text{min}$, unless otherwise specified.

#	Characteristic	Symbol	Min	Typ	Max	Units	
88	10-bit output during active self-test ±25 g range, X-axis	g_{ST10_25X}	ΔST_{MIN} 124	ΔST_{NOM} —	ΔST_{MAX} 208	LSB	(1)
89	±125 g range, X-axis	g_{ST10_125X}	236	—	395	LSB	(1)
90	±187 g range, X-axis	g_{ST10_187X}	156	—	263	LSB	(1)
91	±250 g range, X-axis	g_{ST10_250X}	117	—	198	LSB	(1)
92	±375 g range, X-axis	g_{ST10_375X}	77	—	131	LSB	(1)
93	±250 g range, Z-axis	g_{ST10_250Z}	80	—	160	LSB	(1)
94	Self-test accuracy: Δ from stored value, including sensitivity error -40°C ≤ T_A ≤ 125°C (Section 3.5.2)	ΔST_{ACC}	-10	—	+10	%	(1,5)
95	Transducer clipping limit ±25 g, X-axis, positive/negative	$g_{g-cell_ClipLowX}$	400	470	500	g	(9)
96	±125 g, ±187 g, ±250 g, ±375 g, X-axis, positive/negative	$g_{g-cell_ClipHiX}$	1700	2100	2300	g	(9)
97	±250 g, Z-axis positive	$g_{g-cell_ClipHiZP}$	2200	2700	3300	g	(9)
98	±250 g, Z-axis negative	$g_{g-cell_ClipHiZN}$	-3700	-3200	-2700	g	(9)
99	Sinc filter clipping limit ±25 g, X-axis, positive/negative (MMA2702WR2)	$g_{ADC_Clip_25X_H}$	190	210	240	g	(9)
100	±125 g, X-axis, positive/negative (MMA2712WR2)	$g_{ADC_Clip_125X_H}$	920	1100	1300	g	(9)
101	±187 g, X-axis positive/negative (MMA2718WR2)	$g_{ADC_Clip_187X_H}$	1600	1900	2200	g	(9)
102	±250 g, X-axis positive/negative (MMA2725WR2)	$g_{ADC_Clip_250X_H}$	1600	1900	2200	g	(9)
103	±375 g, X-axis positive/negative (MMA2737WR2)	$g_{ADC_Clip_375X_H}$	1600	1900	2200	g	(9)
104	±250 g, Z-axis, positive (MMA1725WR2)	$g_{ADC_Clip_250ZPH}$	1500	2000	2500	g	(9)
105	±250 g, Z-axis, negative (MMA1725WR2)	$g_{ADC_Clip_250ZNH}$	-3200	-2900	-2500	g	(9)

2.6 Dynamic electrical characteristics - DSI3

$V_{BUS_IL} \leq (V_{BUS_I} - V_{SS}) \leq V_{BUS_IH}$, $T_L \leq T_A \leq T_H$, $\Delta T \leq 12^\circ\text{C}/\text{min}$, unless otherwise specified.

#	Characteristic	Symbol	Min	Typ	Max	Units	
106	Reset recovery (all modes, excluding V_{BUS_I} voltage ramp time)						
	POR to 1st command (Section 3.6)	t_{DSI_POR}	—	5	—	ms	(7,8)
107	POR to acceleration data ready (Section 3.6)	t_{DSP_POR}	—	t_{DSI_POR}	—	s	(7,8)
	Command reception (general)						
108	V_{HIGH} low-pass filter time constant (Section 3.6.1)	t_{VHIGH_RC}	60	120	180	μs	(8,9)
109	V_{HIGH} detection analog delay (Section 3.6.1)	t_{VHIGH_Delay}	—	—	600	ns	(8,9)
110	i_q low-pass filter time constant (Section 3.6.3)	t_{IQ_RC}	200	400	600	μs	(8,9)
111	Command valid time (Section 3.6.1)	t_{Cmd_Valid}	—	2	—	μs	(7,9)
	Response transmission (general, Section 4.2.3)						
112	Response slew time: 2.0 mA to 10.0 mA, 10.0 mA to 2.0 mA	t_{SLEW1_RESP}	200	400	600	ns	(6,8)
113	Response slew time: 4.0 mA to 20.0 mA, 20.0 mA to 4.0 mA	t_{SLEW2_RESP}	200	400	600	ns	(6,8)
114	$t_{SLEW1_RESP} - t_{SLEW2_RESP}$	Δt_{SLEW}	-100	—	100	ns	(8,9)
115	$t_{SLEW1_RESP_Rise} - t_{SLEW2_RESP_Fall}$	Δt_{SLEW_rf}	-250	—	250	ns	(8,9)
116	Response current activation time: current activated to 50%	t_{ACT_RESP}	200	—	400	ns	(8,9)
	Command reception (Discovery Mode)						
117	Command start time (Section 4.1)	t_{START_DISC}	t_{DSI_POR}	—	12	ms	(7,8)
118	Command bit time (Section 4.1)	$t_{DISC_BitTime}$	—	16	—	μs	(7,8)
119	Command transmission period (Section 4.1)	t_{PER_DISC}	$1000/f_{OSC}$	—	—	s	(7,8)
120	Command blocking time, Discovery Mode (Section 3.6.1)	$t_{CmdBlock_DISC}$	—	96	—	μs	(7,8)
121	I_{CCQ} sample delay time (Section 3.6.3)	t_{Disc_Dly}	—	48	—	μs	(7,9)
122	I_{CCQ} sample time (Section 3.6.3)	$t_{Disc_Iccqsamp}$	—	15	—	μs	(7,9)
123	I_{DISC} sample delay time (Section 3.6.3)	$t_{Discsmp_Dly}$	—	65	—	μs	(7,9)
124	I_{DISC} sample time (Section 3.6.3)	$t_{Discsmp}$	—	31	—	μs	(7,9)
	Response transmission (Discovery Mode)						
125	Response start delay (Section 4.1)	$t_{START_DISC_RSP}$	—	64	—	μs	(7,8)
126	Response ramp time (Section 4.1)	$t_{DISC_Ramp_RSP}$	—	16	—	μs	(7,8)
127	Response ramp rate (Section 4.1)	I_{DISC_Ramp}	—	1.5	—	$\text{mA}/\mu\text{s}$	(6,8)
128	Response idle time (Section 4.1)	$t_{DISC_Idle_RSP}$	—	16	—	μs	(7,8)
129	Response peak current (Section 4.1)	I_{DISC_Peak}	—	$2 \cdot I_{RESP}$	—	mA	(6,8)
	Command reception (Command and Response Mode)						
130	Command bit time (Section 4.2)	$t_{Cmd_BitTime}$	—	8	—	μs	(7,8)
131	Command transmission period (Section 4.2)	t_{PER_CRM}	t_{PER_PDCM}	—	$8 \times t_{PER_PDCM}$	s	(7,8)
132	Command blocking time, CRM (Section 3.6.1)	$t_{CmdBlock_CRM}$	—	456	—	μs	(7,8)
133	Command blocking start time, CRM (Section 3.6.1)	$t_{CmdBlock_ST_CRM}$	—	268	—	μs	(7,8)
	Response transmission (Command and Response Mode)						
134	Response chip time	t_{CHIP_CRM}	—	5	—	μs	(7,8)
135	Response start time (Section 4.2)	t_{START_CRM}	—	295	—	μs	(7,8)
	Command reception (Periodic Data Collection Mode)						
136	Command bit time (Section 4.3)	$t_{Cmd_BitTime}$	—	8	—	μs	(7,8)
137	Command transmission period (Section 4.3)	t_{PER_PDCM}	100	—	5000	μs	(7,8)
138	Command transmission period resolution	$t_{PER_PDCM_Res}$	—	5	—	μs	(7,8)
139	Command blocking time, PDCM (Section 4.3.2)	$t_{CmdBlock_PDCM}$	1	—	4095	μs	(7,8)
140	Command blocking time resolution, PDCM (Section 4.3.2)	$t_{CmdBlockRes_PDCM}$	—	1	—	μs	(7,8)
141	Command blocking start time, PDCM (Section 4.3.2)	$t_{CmdBlock_ST_PDCM}$	—	20	—	μs	(7,8)
142	Command blocking start time, BDM command	$t_{CmdBlock_ST_BDM}$	—	44	—	μs	(7,8)
	Response transmission (Periodic Data Collection Mode)						
143	Response chip time typical (Section 3.1.15.3)	t_{CHIP_PDCM}	3	—	6.5	μs	(7,8)
144	Response chip resolution (Section 3.1.15.3)	$t_{CHIPRes_PDCM}$	—	0.5	—	μs	(7,8)
145	Response start time typical (Section 4.3)	t_{START_PDCM}	20	—	4095	μs	(7,8)
146	Response start time typical, BDM enabled (Section 4.3)	$t_{START_PDCM_BDM}$	44	—	4095	μs	(7,8)
147	Response start time resolution	$t_{ST_RES_PDCM}$	—	1	—	μs	(7,8)
	Response transmission (Background Diagnostic Mode)						
148	Response start time (Section 4.3)	t_{START_BDM}	—	20	—	μs	(7,8)
149	Register write to BUSSW active	t_{BS}	—	456	—	μs	(7,8)
150	DSI data latency	t_{LAT_DSI}	—	0.5	6.25	μs	(7,9)
151	OTP program timing Time to program the user OTP array	$t_{NVM_WRITE_MAX}$	—	—	60	ms	(7,8)

2.7 Dynamic electrical characteristics - signal chain

$V_{BUS_LL} \leq (V_{BUS_I} - V_{SS}) \leq V_{BUS_IH}$, $T_L \leq T_A \leq T_H$, $\Delta T \leq 12$ °C/min, unless otherwise specified.

Table 3.

#	Characteristic	Symbol	Min	Typ	Max	Units	
152	DSP low-pass filter						
153	Cutoff frequency LPF0, 2-pole (referenced to 0 Hz)	f_{C_LPF0}	—	180	—	Hz	(6,7)
154	Cutoff frequency LPF6, 3-pole (referenced to 0 Hz)	f_{C_LPF6}	—	325	—	Hz	(6,7)
155	Cutoff frequency LPF8, 3-pole (referenced to 0 Hz)	f_{C_LPF8}	—	400	—	Hz	(7,8)
156	Cutoff frequency LPF9, 4-pole (referenced to 0 Hz)	f_{C_LPF9}	—	400	—	Hz	(7,8)
157	Cutoff frequency LPF11, 4-pole (referenced to 0 Hz)	f_{C_LPF11}	—	800	—	Hz	(7,8)
158	Cutoff frequency LPF14, 4-pole (referenced to 0 Hz)	f_{C_LPF14}	—	1200	—	Hz	(7,8)
159	DSP offset cancellation low-pass filter						
160	Offset Cancellation low-pass filter Input sample Rate	$t_{OC_SampleRate}$	—	256	—	µs	(7,9)
161	Cutoff frequency, startup Phase 1, 1-pole	f_{C_OCPH1}	—	10.0	—	Hz	(7,9)
162	Startup Phase 1 time	t_{OCPH1}	—	80	—	ms	(7,9)
163	Cutoff frequency, startup Phase 2, 1-pole	f_{C_OCPH2}	—	1.0	—	Hz	(7,9)
164	Startup Phase 2 time	t_{OCPH2}	—	70	—	ms	(7,9)
165	Offset cancellation output update rate (10-bit)	$t_{OffRate}$	—	2	—	s	(7,9)
166	Offset cancellation output step size (10-bit)	OFF_{Step}	—	0.5	—	LSB	(7,9)
167	Offset monitor update rate	$OFFMON_{OSC}$	—	500	—	µs	(7,8)
168	Offset monitor count limit	$OFFMON_{CNTLIMIT}$	—	4096	—	1	(7,8)
168	Offset monitor counter size	$OFFMON_{CNTSIZE}$	—	8192	—	1	(7,8)
169	Signal delay excluding LPF group delay and interpolation	t_{SIG_DELAY}	—	—	100	µs	(7,9)
170	Interpolation latency	t_{LAT_INTERP}	—	16	—	µs	(7,9)
171	Self-test response time (CS Rising to 90% g_{ST10_xxx})						
172	Self-test activation time (180 Hz LPF)	$t_{ST_ACT_180}$	2.00	—	4.00	ms	(3,6)
173	Self-test deactivation time (180 Hz LPF)	$t_{ST_DEACT_180}$	2.00	—	4.00	ms	(3,6)
174	Self-test activation time (325 Hz LPF, 3 Pole)	$t_{ST_ACT_325}$	1.30	—	2.70	ms	(6)
175	Self-test deactivation time (325 Hz LPF, 3 Pole)	$t_{ST_DEACT_325}$	1.30	—	2.70	ms	(6)
176	Self-test activation time (400 Hz LPF, 3 or 4 Pole)	$t_{ST_ACT_400}$	1.00	—	2.50	ms	(6)
177	Self-test deactivation time (400 Hz LPF, 3 or 4 Pole)	$t_{ST_DEACT_400}$	1.00	—	2.50	ms	(6)
178	Self-test activation time (800 Hz LPF)	$t_{ST_ACT_800}$	0.50	—	1.75	ms	(6)
179	Self-test deactivation time (800 Hz LPF)	$t_{ST_DEACT_800}$	0.50	—	1.75	ms	(6)
180	Self-test activation time (1200 Hz LPF)	$t_{ST_ACT_800}$	0.40	—	1.50	ms	(6)
180	Self-test deactivation time (1200 Hz LPF)	$t_{ST_DEACT_800}$	0.40	—	1.50	ms	(6)
181	Sensing element rolloff frequency (-3 db)						
182	±25 g, X-axis	$f_{gcell_3dB_xlo}$	938	1600	2592	Hz	(6)
183	±125 g, ±187 g, ±250 g, ±375 g, X-axis	$f_{gcell_3dB_xhi}$	3952	7200	14370	Hz	(6)
183	±250 g, Z-axis	$f_{gcell_3dB_zhi}$	3100	4500	6500	Hz	(6)
184	Sensing element natural frequency						
185	±25 g, X-axis	f_{gcell_xlo}	12651	13200	13871	Hz	(9)
186	±125 g, ±187 g, ±250 g, ±375 g, X-axis	f_{gcell_xhi}	26000	27500	28700	Hz	(9)
186	±250 g, Z-axis	f_{gcell_zhi}	15000	17000	17500	Hz	(9)
187	Sensing element damping ratio						
188	±25 g, X-axis	ζ_{gcell_xlo}	2.76	4.20	6.77		(9)
189	±125 g, ±187 g, ±250 g, ±375 g, X-axis	ζ_{gcell_xhi}	1.26	2.00	3.60		(9)
189	±250 g, Z-axis	ζ_{gcell_zhi}	1.40	2.00	2.90		(9)
190	Sensing element delay (@100 Hz)						
191	±25 g, X-axis	$f_{gcell_delay100_xlo}$	63	100	170	µs	(9)
192	±125 g, ±187 g, ±250 g, ±375 g, X-axis	$f_{gcell_delay100_xhi}$	13	24	40	ms	(9)
192	±250 g, Z-axis	$f_{gcell_delay100_zhi}$	35	40	55	µs	(9)
193	Package resonance frequency	$f_{Package}$	100	—	—	kHz	(9)

2.8 Dynamic electrical characteristics - supply and support circuitry

$V_{BUS_I_L} \leq (V_{BUS_I} - V_{SS}) \leq V_{BUS_I_H}$, $T_L \leq T_A \leq T_H$, $\Delta T \leq 12$ °C/min, unless otherwise specified

#	Characteristic	Symbol	Min	Typ	Max	Units	
194	Internal oscillator period Untrained *	f_{OSC}	7.600	8.000	8.400	MHz	(1)
195	With oscillator training	f_{OSC}	7.879	8.000	8.121	MHz	(7,8,9)
196	Oscillator training (Section 3.4.1) Oscillator training time (CRM and PDCM)	$t_{OscTrain}$	—	4	—	ms	(7)
197	Oscillator training window (CRM and PDCM)	$OscTrain_{WIN}$	3.4	—	4.6	ms	(7)
198	Oscillator training adjustment threshold (CRM and PDCM)	$OscTrain_{ADJ}$	-60	—	60	µs	(7)
199	Oscillator training step size (CRM and PDCM)	$OscTrain_{RES}$	—	28	—	µs	(7)
200	Quiescent current settling time (power applied to $I_q = I_{IDLE} \pm 2$ mA)	t_{SET}	—	—	4	ms	(6)
201	BUS_I microcut Survival time (BUS_I disconnect without reset, $C_{BUF}=C_{REG}=C_{REGA}=700$ nF)	$t_{BUS_I_MICROCUT}$	30	—	—	µs	(8)
202	Reset time (BUS_I disconnect time to reset, $C_{BUF}=C_{REG}=C_{REGA}=1$ µF)	$t_{BUS_I_RESET}$	—	—	1000	µs	(8)
203	BUS_I undervoltage detection delay $BUS_I < V_{BUS_I_UV_F}$ to I_{RESP} deactivation	$t_{BUS_I_POR}$	—	—	5	µs	(6)
204	V_{BUF} undervoltage detection delay $V_{BUF} < V_{BUF_UV_F}$ to I_{RESP} deactivation	$t_{V_{BUF}_POR}$	—	—	5	µs	(6)
205	V_{REG} , V_{REGA} undervoltage reset delay $V_{REG} < V_{REG_UV_F}$ to POR assertion, $V_{REGA} < V_{REGA_UV_F}$ to \overline{POR} assertion	$t_{V_{REG}_POR}$	—	—	50	µs	(6)
206	V_{BUF} , V_{REG} , V_{REGA} capacitor monitor POR to capacitor disconnect	$t_{POR_CAPTEST}$	—	950	—	µs	(7,8)
207	Disconnect time	t_{CAPTST_TIME}	—	1.5	—	µs	(7,8)

NOTES

- Parameter tested 100% at final test. Temperature = -40°C, 25°C and 105°C, $V_{BUS_I} = 8$ V, Unless otherwise stated.
- Not Applicable.
- Parameter verified by pass/fail testing at final test
- Parameter verified by pass/fail testing at final test during safe launch.
- Parameter verified by qualification testing.
- Parameter verified by characterization.
- Functionality guaranteed by modeling, simulation and/or design verification. Circuit integrity assured through IDDQ and scan testing. Timing is determined by internal system clock frequency.
- Parameter verified by functional evaluation.
- Parameter verified by simulation.
- Not Applicable.
- Thermal resistance between the die junction and the exposed pad; cold plate is attached to the exposed pad.

* Indicates critical characteristic.

3 Functional Description

3.1 User-accessible data array

A user-accessible data array allows for each device to be customized. The array consists of an OTP factory-programmable block, an OTP user-programmable block, and read-only registers for data and device status. The OTP blocks incorporate independent data verification (reference [Section 3.2](#)). Portions of the factory-programmable array are reserved for factory-programmed trim values.

Table 4. User-accessible data

Byte Addr	Register	Bit Function				Bit Function				Type
		7	6	5	4	3	2	1	0	
\$00	ICTYPEID	0	0	0	0	0	0	0	1	R
\$01	ICMFGID	0	0	0	0	0	0	1	0	R
\$02	ICREVID	0	0	1	ICREVID[4]	0	0	0	0	R
\$03	MODTYPE	0	0	0	0	0	MODTYPE[2]	MODTYPE[1]	MODTYPE[0]	U,R
\$04	MODMFGID	0	0	0	0	0	MODMFGID[2]	MODMFGID[1]	MODMFGID[0]	U,R
\$05	MODREV	0	0	0	0	0	MODREV[2]	MODREV[1]	MODREV[0]	U,R
\$06	USERID1	USERID1[7]	USERID1[6]	USERID1[5]	USERID1[4]	USERID1[3]	USERID1[2]	USERID1[1]	USERID1[0]	U,R
\$07 - \$08	RESERVED	RESERVED	RESERVED	RESERVED	RESERVED	RESERVED	RESERVED	RESERVED	RESERVED	R
\$09	PN	PN[7]	PN[6]	PN[5]	PN[4]	PN[3]	PN[2]	PN[1]	PN[0]	F,R
\$0A	SN0	SN[7]	SN[6]	SN[5]	SN[4]	SN[3]	SN[2]	SN[1]	SN[0]	F,R
\$0B	SN1	SN[15]	SN[14]	SN[13]	SN[12]	SN[11]	SN[10]	SN[9]	SN[8]	F,R
\$0C	SN2	SN[23]	SN[22]	SN[21]	SN[20]	SN[19]	SN[18]	SN[17]	SN[16]	F,R
\$0D	SN3	SN[31]	SN[30]	SN[29]	SN[28]	SN[27]	SN[26]	SN[25]	SN[24]	F,R
\$0E - \$0F	RESERVED	RESERVED	RESERVED	RESERVED	RESERVED	RESERVED	RESERVED	RESERVED	RESERVED	R
\$10	DSIREV	0	0	0	0	0	0	0	1	R
\$11	PHYSADDR	0	0	0	0	PADDR[3]	PADDR[2]	PADDR[1]	PADDR[0]	U,R/W
\$12	BDM_CFG	0	0	0	0	0	0	0	BDM_EN	R/W
\$13	CRM_CFG	0	0	0	CK_CAL_RST	CRM_PER[1]	CRM_PER[0]	CK_CAL_EN	SS_EN	R/W
\$14	PDCM_CFG	0	0	0	0	0	0	DATALENGTH	STATLENGTH	R/W
\$15	PDCM_EN	PDCM_EN	0	0	0	0	0	0	0	R/W
\$16	CHIPTIME	0	0	0	0	0	CHIPTIME[2]	CHIPTIME[1]	CHIPTIME[0]	R/W
\$17	PDCM_PER	0	0	0	0	0	PDCM_PER[2]	PDCM_PER[1]	PDCM_PER[0]	R/W
\$18	RESERVED	RESERVED	RESERVED	RESERVED	RESERVED	RESERVED	RESERVED	RESERVED	RESERVED	R/W
\$19	PDCM_RSPST_L	PDCM_RSPST[7]	PDCM_RSPST[6]	PDCM_RSPST[5]	PDCM_RSPST[4]	PDCM_RSPST[3]	PDCM_RSPST[2]	PDCM_RSPST[1]	PDCM_RSPST[0]	R/W
\$1A	PDCM_RSPST_H	0	0	0	0	PDCM_RSPST[11]	PDCM_RSPST[10]	PDCM_RSPST[9]	PDCM_RSPST[8]	R/W
\$1B	PDCM_CMD_B_L	PDCM_CMD_B[7]	PDCM_CMD_B[6]	PDCM_CMD_B[5]	PDCM_CMD_B[4]	PDCM_CMD_B[3]	PDCM_CMD_B[2]	PDCM_CMD_B[1]	PDCM_CMD_B[0]	R/W
\$1C	PDCM_CMD_B_H	0	0	0	0	PDCM_CMD_B[11]	PDCM_CMD_B[10]	PDCM_CMD_B[9]	PDCM_CMD_B[8]	R/W
\$1D	SOURCEID	0	0	0	0	SOURCEID[3]	SOURCEID[2]	SOURCEID[1]	SOURCEID[0]	R/W
\$1E	BUSSW_CTRL	0	0	0	0	0	0	0	BUSSW_CTRL	R/W
\$1F	RESERVED	RESERVED	RESERVED	RESERVED	RESERVED	RESERVED	RESERVED	RESERVED	RESERVED	R
\$20	DEVLOCK	LOCK_U	0	0	0	0	0	0	0	U,R
\$21	DEVSTAT	RESERVED	DEVRES	OSCTRAIN_ERR	BUSSW	TESTMODE	ST_ACTIVE	OFFSET_ERR	OC_INIT	R
\$22	DEVSTAT2	F_OTP_ERR	U_OTP_ERR	U_RW_ERR	U_UNLOCKED	RESERVED	ST_INCMPLT	VBUF_UV_ERR	BUSI_UV_ERR	R
\$23	ST_CONTROL	RESERVED	RESERVED	RESERVED	RESERVED	RESERVED	ST_5_PTRN	ST_A_PTRN	SELFTST	R/W
\$24	WRITE_NVM_EN	0	0	0	0	0	0	WR_NVM_EN[1]	WR_NVM_EN[0]	R/W
\$25	C_CRMCRCPLY	C_CRMCRCPLY[7]	C_CRMCRCPLY[6]	C_CRMCRCPLY[5]	C_CRMCRCPLY[4]	C_CRMCRCPLY[3]	C_CRMCRCPLY[2]	C_CRMCRCPLY[1]	C_CRMCRCPLY[0]	R/W
\$26	R_CRMCRCPLY	R_CRMCRCPLY[7]	R_CRMCRCPLY[6]	R_CRMCRCPLY[5]	R_CRMCRCPLY[4]	R_CRMCRCPLY[3]	R_CRMCRCPLY[2]	R_CRMCRCPLY[1]	R_CRMCRCPLY[0]	R/W
\$27	PDCMCRCPLY	PDCMCRCPLY[7]	PDCMCRCPLY[6]	PDCMCRCPLY[5]	PDCMCRCPLY[4]	PDCMCRCPLY[3]	PDCMCRCPLY[2]	PDCMCRCPLY[1]	PDCMCRCPLY[0]	R/W
\$28 - \$2F	RESERVED	RESERVED	RESERVED	RESERVED	RESERVED	RESERVED	RESERVED	RESERVED	RESERVED	R
\$30	ACC_FCTCFG	0	PCM	AXIS	RNG[4]	RNG[3]	RNG[2]	RNG[1]	RNG[0]	F,R
\$31	ACC_STDATA	ACC_ST[7]	ACC_ST[6]	ACC_ST[5]	ACC_ST[4]	ACC_ST[3]	ACC_ST[2]	ACC_ST[1]	ACC_ST[0]	F,R
\$32	ACC_CFG	LPF[3]	LPF[2]	LPF[1]	LPF[0]	SD	OC_FILT[2]	OC_FILT[1]	OC_FILT[0]	R/W
\$33	ACC_DATA1	ACC_D[7]	ACC_D[6]	ACC_D[5]	ACC_D[4]	ACC_D[3]	ACC_D[2]	ACC_D[1]	ACC_D[0]	R
\$34	ACC_DATAH	ACC_D[15]	ACC_D[14]	ACC_D[13]	ACC_D[12]	ACC_D[11]	ACC_D[10]	ACC_D[9]	ACC_D[8]	R
\$35	ACC_STAT	0	0	0	0	0	ST_ACTIVE	OFFSET_ERR	OC_INIT	R

Type codes:

F: Freescale programmed OTP location.

U: User programmable OTP location.

R: Readable register.

R/W: User writable register.

3.1.1 IC Type register

The IC Type register is a read-only register which contains the IC type as defined in the DSI3 standard.

Table 5. IC Type register

Location		Bit							
Address	Register	7	6	5	4	3	2	1	0
\$00	ICTYPEID	0	0	0	0	0	0	0	1

3.1.2 IC Manufacturer Identification register

The IC Manufacturer Identification register is a read-only register which contains the IC manufacturer ID as defined in the DSI3 standard.

Table 6. IC Manufacturer Identification register

Location		Bit							
Address	Register	7	6	5	4	3	2	1	0
\$01	ICMFGID	0	0	0	0	0	0	1	0

3.1.3 IC Manufacturer Revision register

The IC revision register is a read-only register which contains the IC revision as defined in the DSI3 standard. ICREVID[4] is set to '0' for the MMAx7xxJWR2 part numbers and set to '1' for the MMAx7xxWR2 part numbers.

Table 7. IC Manufacturer Revision register

Location		Bit							
Address	Register	7	6	5	4	3	2	1	0
\$02	ICREVID	0	0	1	ICREVID[4]	0	0	0	0

3.1.4 Module Type register (MODTYPE)

The module type register is a user programmed OTP register which contains user specific module identification information as defined in the DSI3 Standard. The register is included in the user programmed OTP verification described in [Section 3.2](#).

Table 8. Module Type register

Location		Bit							
Address	Register	7	6	5	4	3	2	1	0
\$03	MODTYPE	0	0	0	0	0	MODTYPE[2]	MODTYPE[1]	MODTYPE[0]
Factory Default		0	0	0	0	0	0	0	0

3.1.5 Module Manufacturer ID register (MODMFGID)

The module manufacturer identification register is a user-programmed OTP register which contains user specific module identification information as defined in the DSI3 Standard. The register is included in the user programmed OTP verification described in [Section 3.2](#).

Table 9. Module Manufacturer ID register

Location		Bit							
Address	Register	7	6	5	4	3	2	1	0
\$04	MODMFGID	0	0	0	0	0	MODMFGID[2]	MODMFGID[1]	MODMFGID[0]
Factory Default		0	0	0	0	0	0	0	0

3.1.6 Module Revision register (MODREV)

The Module Revision register is a user programmed OTP register which contains user specific module identification information as defined in the DSI3 Standard. The register is included in the user programmed OTP verification described in [Section 3.2](#).

Table 10. Module Revision register (MODREV)

Location		Bit							
Address	Register	7	6	5	4	3	2	1	0
\$05	MODREV	0	0	0	0	0	MODREV[2]	MODREV[1]	MODREV[0]
Factory Default		0	0	0	0	0	0	0	0

3.1.7 User ID 1 registers (USERID1)

User ID registers 1 is a user programmable OTP register which contains user specific information. The bits have no impact on the device performance. The register is included in the user programmed OTP verification described in [Section 3.2](#).

Table 11. User ID 1 registers

Location		Bit							
Address	Register	7	6	5	4	3	2	1	0
\$06	USERID1	USERID1[7]	USERID1[6]	USERID1[5]	USERID1[4]	USERID1[3]	USERID1[2]	USERID1[1]	USERID1[0]
Factory Default		0	0	0	0	0	0	0	0

3.1.8 Part Number register

The Part Number register is a factory-programmed OTP register which includes the numeric portion of the device part number. The register is included in the factory-programmed OTP verification described in [Section 3.2](#). Beyond this, the contents of the part number register have no impact on device operation or performance.

Table 12. Part Number register

Location		Bit							
Address	Register	7	6	5	4	3	2	1	0
\$09	PN	PN[7]	PN[6]	PN[5]	PN[4]	PN[3]	PN[2]	PN[1]	PN[0]
Factory Default		N/A	N/A	N/A	N/A	N/A	N/A	N/A	N/A

PN Register Value		Range (g)	Transducer
Decimal	HEX		
2	0x02	25	Medium-g Lateral
12	0x0C	125	High-g Lateral
18	0x12	187	High g Lateral
25	0x19	250	High-g Lateral / High-g Vertical
37	0x25	375	High-g Lateral

3.1.9 Device Serial Number registers

The serial number registers are factory-programmed OTP registers which include a unique serial number and lot number combination for each device, regardless of range or axis of sensitivity. Serial numbers begin at 1 for all produced devices in each lot and are sequentially assigned. Lot numbers begin at 1 and are sequentially assigned. No lot will contain more devices than can be uniquely identified by the 13-bit serial number. Depending on lot size and quantities, all possible lot numbers and serial numbers may not be assigned. The serial number registers are included in the factory-programmed OTP verification described in [Section 3.2](#). Beyond this, the contents of the serial number registers have no impact on device operation or performance.

Table 13. Device Serial Number registers

Location		Bit							
Address	Register	7	6	5	4	3	2	1	0
\$0A	SN0	SN[7]	SN[6]	SN[5]	SN[4]	SN[3]	SN[2]	SN[1]	SN[0]
\$0B	SN1	SN[15]	SN[14]	SN[13]	SN[12]	SN[11]	SN[10]	SN[9]	SN[8]
\$0C	SN2	SN[23]	SN[22]	SN[21]	SN[20]	SN[19]	SN[18]	SN[17]	SN[16]
\$0D	SN3	SN[31]	SN[30]	SN[29]	SN[28]	SN[27]	SN[26]	SN[25]	SN[24]
Factory Default		N/A	N/A	N/A	N/A	N/A	N/A	N/A	N/A

The serial number is composed of the following information:

Bit range	Content
SN[12:0]	Serial Number
SN[31:13]	Lot Number

3.1.10 DSI Protocol Revision register (DSI_REV)

The factory-configuration register is a read-only register which contains the DSI revision supported, as specified in the DSI3 standard. The protocol revision value for DSI3 is \$01.

Table 14. DSI Protocol Revision register

Location		Bit							
Address	Register	7	6	5	4	3	2	1	0
\$10	DSIREV	0	0	0	0	0	0	0	1

3.1.11 Physical Address register (PHYSADDR)

The physical address register is a user programmed OTP register which contains the physical address of the slave.

If the physical address is zero, the address is assigned either during Discovery Mode as described in [Section 4.1.3](#) or during Command and Response Mode as described in [Section 4.1.2](#).

If the physical address is non-zero, the device ignores Discovery Mode and uses the programmed physical address for Command and Response Mode, as described in [Section 4.2](#). The physical address register value can be changed by a Command and Response Mode register write command. However, if the LOCK_U bit is set, the value will always be reset to the OTP array value after a reset.

The OTP register value is included in the user programmed OTP verification described in [Section 3.2](#). The value is also stored in a secondary register that can be written as described above. This secondary register is included in the read/write array verification described in [Section 3.2](#).

Table 15. Physical Address register

Location		Bit							
Address	Register	7	6	5	4	3	2	1	0
\$11	PHYSADDR	0	0	0	0	PADDR[3]	PADDR[2]	PADDR[1]	PADDR[0]
Factory Default		0	0	0	0	0	0	0	0

3.1.12 DSI3 Background Diagnostic Mode Configuration register (BDM_CFG)

The DSI3 Background Diagnostic Mode configuration register is a user programmed read/write register which contains user specific configuration information for DSI3 Background Diagnostic Mode. The register is included in the read/write array verification described in [Section 3.2](#). Reference [Section 4.3](#) for details regarding Background Diagnostic Mode.

Table 16. DSI3 Background Diagnostic Mode Configuration register

Location		Bit							
Address	Register	7	6	5	4	3	2	1	0
\$12	BDM_CFG	0	0	0	0	0	0	0	BDM_EN
Factory Default		0	0	0	0	0	0	0	0

3.1.12.1 Background Diagnostic Mode Enable (BDM_EN)

The Background Diagnostic Mode enable bit enables Background Diagnostic Mode as described below and in [Section 3.1.14](#). Reference [Section 4.3](#) for details regarding Background Diagnostic Mode.

BDM_EN	BDM command fragment length
0	Disabled
1	4

3.1.13 DSI3 Command and Response Mode Configuration register (CRM_CFG)

The DSI3 Command and Response Mode configuration register is a user programmed read/write register which contains user specific configuration information for DSI3 Command and Response Mode. The register is included in the read/write array verification described in [Section 3.2](#).

Table 17. DSI3 Command and Response Mode Configuration register

Location		Bit							
Address	Register	7	6	5	4	3	2	1	0
\$13	CRM_CFG	0	0	0	CK_CAL_RST	CRM_PER[1]	CRM_PER[0]	CK_CAL_EN	SS_EN
Factory Default		0	0	0	0	0	0	0	0

3.1.13.1 Clock Calibration Value Reset (CK_CAL_RST)

The clock calibration reset bit controls the state of the oscillator training when the CK_CAL_EN bit is cleared as described in the table in [Section 3.1.13.3](#). Reference [Section 3.4.1](#) for details regarding oscillator training.

3.1.13.2 Command and Response Mode Period (CRM_PER[1:0])

The Command and Response Mode Period bits set the period for Command and Response Mode commands in increments of the Periodic Data Collection Mode Period (PDCM_PER). This value is only necessary for oscillator training and is only used if the CK_CAL_EN bit is set in the CRM_CFG register. Command and Response Mode commands will be decoded and responded to regardless of the value of this register as long as the general Command and Response Mode timing parameters specified in [Section 2.6](#) are met. Reference [Section 3.4.1](#) for details regarding oscillator training.

CRM_PER[1]	CRM_PER[0]	Command and Response Mode period (Multiples of the Periodic Data Collection Mode period)
0	0	1
0	1	2
1	0	4
1	1	8

3.1.13.3 Clock Calibration Enable (CK_CAL_EN)

The clock calibration enable bit enables oscillator training over the DSI communication interface. Reference [Section 3.4.1](#) for details regarding oscillator training.

CK_CAL_EN	CK_CAL_RST	Oscillator training
0	0	The oscillator value is maintained at the last trained value prior to clearing the CK_CAL_RST bit.
0	1	The oscillator value is reset to the untrained value with a tolerance specified in Section 2.8 .
1	x	Oscillator is trained as specified in Section 3.4.1

3.1.13.4 Simultaneous Sampling Enable (SS_EN)

The simultaneous sampling enable bit selects between one of two data latency methods. Reference [Section 3.7](#) for details regarding sample timing.

SS_EN	Data latency
0	Synchronous Sampling Mode: Latency relative to transmission start time (PDCM_RSPST)
1	Simultaneous Sampling Mode: Latency relative to the start of the Periodic Data Collection Mode command (falling edge)

3.1.14 Periodic Data Collection Mode Enable register (PDCM_EN)

The Periodic Data Collection Mode register is a read/write register which contains the Periodic Data Collection Mode Enable bit. The register is included in the read/write array verification described in [Section 3.2](#).

Table 18. Periodic Data Collection Mode Enable register

Location		Bit							
Address	Register	7	6	5	4	3	2	1	0
\$15	PDCM_EN	PDCM_EN	0	0	0	0	0	0	0
Factory Default		0	0	0	0	0	0	0	0

The Periodic Data Collection Mode Enable bit enables Periodic Data Collection Mode as described in [Section 4.3](#). The PDCM_EN bit can be set by receiving the Enter PDCM command in Command and Response Mode, or by a Command and Response Mode register write command. Once Periodic Data Collection Mode is enabled, the registers listed in [Section 3.2.3](#) are locked and the user array read/write register array verification is enabled.

Once set, the PDCM_EN bit can only be cleared by a device reset.

PDCM_EN	BDM_EN	Command and Response Mode	Periodic Data Collection Mode	Background Diagnostic Mode
0	0	Enabled	Disabled	Disabled
0	1	Enabled	Disabled	Disabled
1	0	Disabled	Enabled	Disabled
1	1	Disabled	Enabled	Enabled

3.1.15 DSI3 Periodic Data Collection Mode Configuration registers (PDCM_CFG1, PDCM_CFG2)

The DSI3 Periodic Data Collection Mode configuration registers are user programmed read/write registers which contain user specific configuration information for DSI3 Periodic Data Collection Mode. The registers are included in the read/write array verification described in [Section 3.2](#).

Location		Bit							
Address	Register	7	6	5	4	3	2	1	0
\$14	PDCM_CFG	0	0	0	0	0	0	DATALENGTH	STATLENGTH
\$16	CHIPTIME	0	0	0	0	0	CHIPTIME[2]	CHIPTIME[1]	CHIPTIME[0]
\$17	PDCM_PER	0	0	0	0	0	PDCM_PER[2]	PDCM_PER[1]	PDCM_PER[0]
\$18	RESERVED	RESERVED	RESERVED	RESERVED	RESERVED	RESERVED	RESERVED	RESERVED	RESERVED
\$19	PDCM_RSPST_L	PDCM_RSPST[7]	PDCM_RSPST[6]	PDCM_RSPST[5]	PDCM_RSPST[4]	PDCM_RSPST[3]	PDCM_RSPST[2]	PDCM_RSPST[1]	PDCM_RSPST[0]
\$1A	PDCM_RSPST_H	0	0	0	0	PDCM_RSPST[11]	PDCM_RSPST[10]	PDCM_RSPST[9]	PDCM_RSPST[8]
\$1B	PDCM_CMD_B_L	PDCM_CMD_B[7]	PDCM_CMD_B[6]	PDCM_CMD_B[5]	PDCM_CMD_B[4]	PDCM_CMD_B[3]	PDCM_CMD_B[2]	PDCM_CMD_B[1]	PDCM_CMD_B[0]
\$1C	PDCM_CMD_B_H	0	0	0	0	PDCM_CMD_B[11]	PDCM_CMD_B[10]	PDCM_CMD_B[9]	PDCM_CMD_B[8]
Factory Default		0	0	0	0	0	0	0	0

3.1.15.1 Data Field Length (DATALENGTH)

The data field length bits set the data field length in the Periodic Data Collection Mode response as described below. The sensitivity of the data is the same for both the 10-bit and 14-bit data lengths. If the 14-bit data length is selected, four additional bits of range are transmitted. These additional four bits of range are intended for test use only and are not covered by the specifications listed in [Section 2](#).

DATALENGTH	Data Length
0	10 Bits
1	14 Bits

3.1.15.2 Status Field Length (STATLENGTH)

The status field length bits set the status field length in the Periodic Data Collection Mode response as described below. Reference [Section 4.3.2.2](#) for details regarding the Periodic Data Collection Mode status field.

STATLEN	Status Field Length (Bits)	Data Transmitted
0	4	Reference Section 4.3.2.2
1	0	N/A

3.1.15.3 Chip time (CHIPTIME)

The DSI3 Periodic Data Collection Mode configuration chip time bits set the chip time for Periodic Data Collection Mode as described below.

CHIPTIME[2]	CHIPTIME[1]	CHIPTIME[0]	Chip time
0	0	0	3.0 μ s
0	0	1	3.5 μ s
0	1	0	4.0 μ s
0	1	1	4.5 μ s
1	0	0	5.0 μ s
1	0	1	5.5 μ s
1	1	0	6.0 μ s
1	1	1	6.5 μ s

3.1.15.4 Periodic Data Collection Mode Period (PDCM_PER[3:0])

The Periodic Data Collection Mode period selection bits set the period data collection mode period to be used by the DSI master as shown in the table below. This value is only necessary for oscillator training and is only used if the CK_CAL_EN bit is set in the CRM_CFG register. Periodic Data Collection Mode and Background Diagnostic Mode commands will be decoded and responded to regardless of the value of this register as long as the general Periodic Data Collection Mode timing parameters specified in Section 2.6 are met. Reference Section 3.4.1 for details regarding oscillator training.

PDCM_PER[2]	PDCM_PER[1]	PDCM_PER[0]	Periodic Data Collection Mode Period
0	0	0	500 μ s
0	0	1	125 μ s
0	1	0	250 μ s
0	1	1	333 μ s
1	0	0	500 μ s
1	0	1	1000 μ s
1	1	0	2000 μ s
1	1	1	4000 μ s

3.1.15.5 Periodic Data Collection Mode Response Start Time (PDCM_RSPST[11:0])

The DSI3 Periodic Data Collection Mode Response Start Time bits set the Periodic Data Collection Mode response start time. The value is stored in 1 μ s increments, with zero as the default value of 20 μ s.

Care must be taken to prevent from programming response start times which cause data contention in the system.

PDCM_RSPST[11:0]	Periodic Data Collection Mode Response Start Time
0 - 20	20 μ s
21 - 4095	PDCM response start = PDCM_RSPST x 1 μ s

3.1.15.6 Periodic Data Collection Mode Command Blocking time (PDCM_CMD_B[11:0])

The DSI3 Periodic Data Collection Mode command blocking time bits set the Periodic Data Collection Mode command blocking time. in 1 μ s increments, with zero as the default value of 450 μ s. Reference Section 3.6.1 for details regarding the command receiver and command blocking.

Care must be taken to prevent from programming command blocking times which prevent proper command decoding in the system and to ensure proper sampling of the V_{HIGH} voltage. As shown in Section 3.6.1, Figure 29, The V_{HIGH} voltage is initially captured at the end of the command blocking time and then filtered. The user must ensure that the command blocking end time is set for a time when no command or response transmissions are occurring to provide the most stable BUS_I voltage.

PDCM_CMD_B[11:0]	Periodic Data Collection Mode Command blocking time
0	450 μ s
Non-Zero	PDCM Command blocking time = PDCM_CMD_B x 1 μ s

3.1.16 Source Identification register (SOURCEID)

The source identification register is a user programmed read/write register which contains the source identification which will be used for Periodic Data Collection Mode as described in Section 4.3.2.2. The register is included in the read/write array verification described in Section 3.2. SOURCEID[3:0] is initialized to the values stored in PADDR[3:0] after reset.

Table 19. Source Identification register

Location		Bit							
Address	Register	7	6	5	4	3	2	1	0
\$1D	SOURCEID	0	0	0	0	SOURCEID[3]	SOURCEID[2]	SOURCEID[1]	SOURCEID[0]
Factory Default		0	0	0	0	PADDR[3]	PADDR[2]	PADDR[1]	PADDR[0]

3.1.17 Bus Switch Control register (BUSSW_CTRL)

The bus switch control register is a user programmed read/write register which controls the state of the bus switch output driver. The register is included in the read/write array verification describe in [Section 3.2](#).

Table 20. Bus Switch Control register

Location		Bit							
Address	Register	7	6	5	4	3	2	1	0
\$1E	BUSSW_CTRL	0	0	0	0	0	0	0	BUSSW_CTRL
Factory Default		0	0	0	0	0	0	0	0

The BUSSW_CTRL bit controls the state of the BUSSW pin.

BUSSW_CTRL	BUSSW Pin Sate
0	High impedance An External Pullup is required if an external switch is connected
1	Output Actively Driven Low

3.1.18 Device Lock register (DEVLOCK)

The device lock register is a user programmed OTP register which contains the LOCK_U bit. The register is included in the user programmed OTP verification describe in [Section 3.2](#). The LOCK_U bit allows the user to prevent writes to the user configuration array once OTP programming is complete. If the LOCK_U bit is written to '1' when an "Execute Programming of NVM" command is executed, the LOCK_U OTP bit will be programmed. Upon completion of the OTP programming, future OTP writes to both the OTP array and the mirror registers for the array are prevented and the User Programmable OTP Array Verification is activated. The exception to this is the PADDR[3:0] bits. Once the LOCK_U bit is set, the PADDR[3:0] OTP bits cannot be written. However, the mirror register bits for PADDR[3:0] can be written to allow changes to the physical address through Command and Response Mode.

Table 21. Device Lock register

Location		Bit							
Address	Register	7	6	5	4	3	2	1	0
\$20	DEVLOCK	LOCK_U	0	0	0	0	0	0	0
Factory Default		0	0	0	0	0	0	0	0

3.1.19 Device Status registers (DEVSTAT, DEVSTAT2)

The device status registers are read-only registers which contain device status information.

Table 22. Device Status registers

Location		Bit							
Address	Register	7	6	5	4	3	2	1	0
\$21	DEVSTAT	RESERVED	DEVRES	OSCTRIN_ERR	BUSSW	TESTMODE	ST_ACTIVE	OFFSET_ERR	OC_INIT
\$22	DEVSTAT2	F_OTP_ERR	U_OTP_ERR	U_RW_ERR	U_UNLOCKED	RESERVED	ST_INCMPLT	VBUF_UV_ERR	BUSIN_UV_ERR

3.1.19.1 Device Reset (DEVRES)

The device reset bit is set following a device reset. The device reset bit is cleared only by a read of the DEVSTAT register.

DEVRES	Error Condition
0	Normal operation
1	Device reset occurred

3.1.19.2 Oscillator Training Error (OSCTRAIN_ERR)

The oscillator training error bit is set if an error detected in either the oscillator training settings, or the master communication timing. Reference [Section 3.4.2](#).

OSCTRAIN_ERR	Error Condition
0	No error detected
1	Oscillator Training Error. Reference Section 3.4.2

3.1.19.3 Bus Switch Status (BUSSW)

The Bus Switch status bit is set if the bus switch output pin is activated.

BUSSW	BUSSW Pin State
0	BUSSW pin is inactive
1	BUSSW pin is active

3.1.19.4 Test Mode (TESTMODE)

The test mode bit is set if the device is in test mode.

TESTMODE	Operating Mode
0	Test Mode is not active
1	Test Mode is active

3.1.19.5 Self-Test Active (ST_ACTIVE)

The self-test active bit is set if any of the self-test bits in the ST_CONTROL register are set.

ST_ACTIVE	Condition
0	ST_5_PTRN & ST_A_PTRN & SELFTEST = 0
1	ST_5_PTRN ST_A_PTRN SELFTEST = 1

3.1.19.6 Offset Error Flag (OFFSET_ERR)

The offset error flag is set if the acceleration signal reaches the offset limit.

OFFSET_ERR	Error Condition
0	No error detected
1	Offset error detected

3.1.19.7 Offset Cancellation Init Status Flag (OC_INIT)

The offset cancellation initialization status bit is set once the offset cancellation initialization process is complete, and the filter has switched to normal mode.

OC_INIT	Error Condition
0	Offset Cancellation in initialization
1	Offset Cancellation initialization complete

3.1.19.8 Freescale OTP Array Error (F_OTP_ERR)

The factory OTP array error bit is set if a register data fault is detected in the factory OTP array. A device reset is required to clear the error.

F_OTP_ERR	Error Condition
0	No error detected
1	Error Detected in the Factory OTP Array

3.1.19.9 User OTP Array Error (U_OTP_ERR)

The user OTP array error bit is set if a register data fault is detected in the user OTP array. A device reset is required to clear the error.

U_OTP_ERR	Error Condition
0	No error detected
1	Error Detected in the User OTP Array

3.1.19.10 User Read/Write Array Error (U_RW_ERR)

The user read/write array error bit is set if a register data fault is detected in the user read/write array. A device reset is required to clear the error.

U_RW_ERR	Error Condition
0	No error detected
1	Error Detected in the User Read/Write Array

3.1.19.11 User OTP Array Unlocked (U_UNLOCKED)

The user OTP array unlocked bit is set if LOCK_U bit in the DEVLOCK register is not set, indicating that the user array is not locked.

U_UNLOCKED	Condition
0	User Array is Locked
1	User Array is not Locked

3.1.19.12 Self-Test Incomplete (ST_INCMPLT)

The self-test incomplete bit is set after a device reset and is only cleared when the SELFTTEST bit is written to a '1' through Command and Response Mode.

ST_INCMPLT	Condition
0	Self-test has been activated since the last Reset
1	Self-test has not been activated since the last Reset

3.1.19.13 V_{BUF} Undervoltage Error (VBUF_UV_ERR)

The V_{BUF} undervoltage error bit is set if the V_{BUF} voltage falls below the voltage specified in [Section 2.3](#). Reference [Section 3.3](#) for details on the V_{BUF} undervoltage monitor. The VBUF_UV_ERR bit is cleared on a read of the DEVSTAT2 register.

VBUF_UV_ERR	Error Condition
0	No error detected
1	VBUF Voltage Low

3.1.19.14 BUS IN Undervoltage Error (BUSI_UV_ERR)

The BUS IN undervoltage error bit is set if the BUS_I voltage falls below the voltage specified in [Section 2.3](#). Reference [Section 3.3](#) for details on the BUS IN undervoltage monitor. The BUSI_UV_ERR bit is cleared on a read of the DEVSTAT2 register.

BUSI_UV_ERR	Error Condition
0	No error detected
1	BUS_I Voltage Low

3.1.20 Self-Test Control register (ST)

The self-test control register is a user programmed read/write register which contains user specific device configuration information. The register is included in the read/write array verification described in [Section 3.2](#).

Table 23. Self-Test Control register

Location		Bit							
Address	Register	7	6	5	4	3	2	1	0
\$23	ST_CONTROL	RESERVED	RESERVED	RESERVED	RESERVED	RESERVED	ST_PTRN_5	ST_PTRN_A	SELFTEST
Factory Default		0	0	0	0	0	0	0	0

3.1.20.1 Self-Test Pattern Write Bits (ST_PTRN_5, ST_PTRN_A)

The self-test pattern write bits inhibit DSP writes to the ACC_DATAH and ACC_DATA_L registers and forces a write of specific values to the registers when set. When cleared, DSP writes to the ACC_DATAH and ACC_DATA_L registers resume as specified. These bits are automatically cleared when the PDCM bit is set.

ST_PTRN_A	ST_PTRN_5	Function
0	0	DSP writes to the ACC_DATAH and ACC_DATA_L registers as specified
0	1	0x5555 written to ACC_DATAH and ACC_DATA_L. DSP write to registers inhibited.
1	0	0xAAAA written to ACC_DATAH and ACC_DATA_L. DSP write to registers inhibited.
1	1	0xFFFF written to ACC_DATAH and ACC_DATA_L. DSP write to registers inhibited.

3.1.20.2 Self-Test Control (SELFTEST)

The self-test control bit activates and deactivates self-test as described below. Reference [Section 3.5.2](#) for details regarding self-test. This bit is automatically cleared when the PDCM bit is set.

Self-test	Function
0	Self-test deactivated
1	Self-test activated

After a device reset, the ST_INCMPLT bit is set in the DEVSTAT2 register and the device status defaults to Self-test Activation Incomplete as defined in [Section 4.3.2.2](#). The ST_INCMPLT bit will only be cleared by writing the SELFTEST bits to '1' through Command and Response Mode. If PDCM is entered without activating self-test, the status bits will include the Self-test Activation Incomplete" status until a device reset.

If both the SELFTEST bit and one of the Self-test Pattern Write bits are set, the self-test pattern data will be written to the ACC_DATAH and ACC_DATA_L registers. However, the transducer self-test will still be activated as described in [Section 3.5.2](#).

3.1.21 Write NVM Enable register

The write NVM enable register is a user programmed read/write register that allows the user to write the contents of the user programmed OTP array mirror registers to the OTP registers. The register is included in the read/write array verification described in [Section 3.2](#).

Table 24. Write NVM Enable register

Location		Bit							
Address	Register	7	6	5	4	3	2	1	0
\$24	WRITE_NVM_EN	0	0	0	0	0	0	WR_NVM_EN[1]	WR_NVM_EN[0]
Factory Default		N/A	N/A	N/A	N/A	N/A	N/A	N/A	N/A

DSI3 Register Writes executed by the user to the user programmed OTP array only update the mirror register contents for the OTP array, not the actual OTP registers. To copy the values to the actual OTP registers, a series of three consecutive DSI3 Register Write operations to the Write NVM Enable register must be completed. The register write operations must be consecutive and in the order shown below to enable the write to NVM. If any commands are transmitted in between the listed commands, or if the data does not match as shown, the sequence will be reset and no OTP write will be initiated.

Depending upon the operating mode used, the user will need to write the NVM values to OTP either with or without the PHYSADDR register being written to OTP. If Discovery Mode or switch connected daisy-chain mode will be used, the PHYSADDR register must remain unprogrammed (0x0000). If a preprogrammed bus mode will be used, the PHYSADDR register must be programmed to a non-zero value. To support these two user modes, two NVM Write sequences are necessary: one that allocates the PHYSADDR register to OTP and one that does not.

All user array programming, including locking the user array by setting the LOCK_U bit, must be completed with one NVM Write command sequence in order to prevent inadvertent user array ECC errors. The procedure for writing to the user OTP array is listed below:

1. Write the desired values to the user array registers using Command and Response Mode.
2. Set the LOCK_U bit in the DEVLOCK registers using Command and Response Mode.

NOTE

This procedure must only be executed once and the LOCK_U bit must be set to prevent inadvertent ECC errors.

3. Execute the appropriate NVM Write Sequence using Command and Response Mode to copy the register data to the OTP array with or without the PHYSADDR register.

Table 25. NVM Write Sequence: PHYSADDR register conditionally included

Register Write to WRITE_NVM_EN	WRITE_NVM_EN[7:2]	WRITE_NVM_EN[1]	WRITE_NVM_EN[0]	Effect
DSI3 Register Write 1	0 0 0 0 0 0	1	0	No Effect
DSI3 Register Write 2	0 0 0 0 0 0	1	1	No Effect
DSI3 Register Write 3	0 0 0 0 0 0	0	1	Write to OTP initiated PHYSADDR Register included if and only if assigned by CRM

Table 26. NVM Write Sequence: PHYSADDR register excluded

Register Write to WRITE_NVM_EN	WRITE_NVM_EN[7:2]	WRITE_NVM_EN[1]	WRITE_NVM_EN[0]	Effect
DSI3 Register Write 1	0 0 0 0 0 0	0	1	No Effect
DSI3 Register Write 2	0 0 0 0 0 0	1	1	No Effect
DSI3 Register Write 3	0 0 0 0 0 0	1	0	Write to OTP initiated PHYSADDR Register is excluded

4. Delay $t_{NVM_WRITE_MAX}$ to allow the device to complete the writes to OTP.
5. Verify that the OTP write has successfully completed by completing a read back of all of the OTP registers using Command and Response Mode Register Read commands.

3.1.22 DSI3 Communication CRC Polynomial registers

The DSI3 communication CRC polynomial registers are user programmed read/write registers which contain the CRC polynomials used for communication. The register is included in the read/write array verification described in [Section 3.2](#).

Table 27. DSI3 Communication CRC Polynomial registers

Location		Bit							
Address	Register	7	6	5	4	3	2	1	0
\$25	C_CRMCRCPLY	C_CRMCRCPLY[7]	C_CRMCRCPLY[6]	C_CRMCRCPLY[5]	C_CRMCRCPLY[4]	C_CRMCRCPLY[3]	C_CRMCRCPLY[2]	C_CRMCRCPLY[1]	C_CRMCRCPLY[0]
\$26	R_CRMCRCPLY	R_CRMCRCPLY[7]	R_CRMCRCPLY[6]	R_CRMCRCPLY[5]	R_CRMCRCPLY[4]	R_CRMCRCPLY[3]	R_CRMCRCPLY[2]	R_CRMCRCPLY[1]	R_CRMCRCPLY[0]
\$27	PDCMCRCPLY	PDCMCRCPLY[7]	PDCMCRCPLY[6]	PDCMCRCPLY[5]	PDCMCRCPLY[4]	PDCMCRCPLY[3]	PDCMCRCPLY[2]	PDCMCRCPLY[1]	PDCMCRCPLY[0]
Factory Default		0	0	1	0	1	1	1	1

The C_CRMCRCPLY register contains the 8-bit CRC polynomial used for the Command and Response Mode command as well as the Background Diagnostic Mode command. The default polynomial is $x^8 + x^5 + x^3 + x^2 + x + 1$. When this register value is changed using a Command and Response Mode Register Write command, the new polynomial value is enabled for the next Command and Response Mode command received.

The R_CRMCRCPLY register contains the 8-bit CRC polynomial used for the Command and Response Mode response as well as the Background Diagnostic Mode response. The default polynomial is $x^8 + x^5 + x^3 + x^2 + x + 1$. When this register value is changed using a Command and Response Mode Register Write command, the new polynomial value is enabled for the response to the next Command and Response Mode command received. The response to the Register Write command uses the original polynomial value.

The PDCMCRCPLY register contains the 8-bit CRC polynomial used for the Periodic Data Collection Mode response. The default polynomial is $x^8 + x^5 + x^3 + x^2 + x + 1$. This polynomial is enabled once the device enters Periodic Data Collection Mode as described in [Section 4.3](#).

3.1.23 Acceleration Factory Configuration register (ACC_FCTCFG)

The Acceleration Factory Configuration register is a factory-programmable OTP register which contains acceleration data specific configuration information. The register is included in the factory-programmed OTP verification. Reference [Section 3.2](#) for details regarding the OTP verification.

Table 28. Acceleration Factory Configuration register (ACC_FCTCFG)

Location		Bit							
Address	Register	7	6	5	4	3	2	1	0
\$30	ACC_FCTCFG	0	PCM	AXIS	RNG[4]	RNG[3]	RNG[2]	RNG[1]	RNG[0]
Factory Default		0	0	0	0	0	0	0	0

3.1.23.1 PCM Enable Bit (PCM)

The PCM bit enables the PCM output pin. When the PCM bit is set, the PCM output pin is active and outputs a pulse code modulated signal proportional to the acceleration response. Reference [Section 3.5.4.10](#) for more information regarding the PCM output. When the PCM bit is cleared, the PCM output pin is actively pulled low.

PCM	PCM Output
0	Actively pulled low
1	PCM signal enabled

3.1.23.2 Axis Indication Bit (AXIS)

The axis indication bit indicates the axes of sensitivity as shown below.

AXIS	Axis
0	X
1	Z

3.1.23.3 Range Indication Bits (RNG[4:0])

The range indication bits indicate the full-scale range of the device as shown below.

RNG[4]	RNG[3]	RNG[2]	RNG[1]	RNG[0]	Full-Scale Acceleration Range
0	0	1	1	0	±25 g
1	0	1	0	0	±125 g
1	0	1	1	0	±187 g
1	1	0	0	1	±250 g
1	1	1	0	0	±375 g

3.1.24 Self-Test Deflection register (ACC_STDATA)

The self-test deflection register is a factory-programmable OTP register which contains the nominal self-test deflection value at 25°C. The register is included in the factory-programmed OTP verification described in [Section 3.2](#).

Table 29. Self-Test Deflection register

Location		Bit							
Address	Register	7	6	5	4	3	2	1	0
\$31	ACC_STDATA	ACC_ST[7]	ACC_ST[6]	ACC_ST[5]	ACC_ST[4]	ACC_ST[3]	ACC_ST[2]	ACC_ST[1]	ACC_ST[0]

The self-test value is a positive deflection value, measured at the factory, and factory-programmed for each device. The stored value is equal to the difference between the factory measured value at nominal temperature and the minimum self-test limit at 25°C ($ACC_STDATA = ST_{MEASURED} - \Delta ST_{MIN}$). When self-test is activated, the acceleration reading is compared to the value in this register. The difference from the measured deflection value, and the nominal deflection value stored in the register shall not fall outside the self-test accuracy limits specified in [Section 2.5](#) (ΔST_{ACC}). Reference [Section 3.5.2](#) for more details on calculating the self-test limits.

3.1.25 Acceleration Configuration register (ACC_CFG)

The acceleration configuration register is a user programmable read/write register which contains acceleration data specific configuration information. The register is included in the read/write array verification described in [Section 3.2](#).

Table 30. Acceleration Configuration register (ACC_CFG)

Location		Bit							
Address	Register	7	6	5	4	3	2	1	0
\$32	ACC_CFG	LPF[3]	LPF[2]	LPF[1]	LPF[0]	SD	OC_FILT[2]	OC_FILT[1]	OC_FILT[0]
Factory Default		0	0	0	0	0	0	0	0

3.1.25.1 Low-pass filter selection bits (LPF[3:0])

The low-pass filter selection bits select the low-pass filter for the acceleration signal. Reference [Section 3.5.4.3](#) for details regarding the low-pass filter.

LPF[3]	LPF[2]	LPF[1]	LPF[0]	Low-pass filter selected
0	0	0	0	180 Hz, 2 Pole
0	0	0	1	Reserved
0	0	1	0	Reserved
0	0	1	1	Reserved
0	1	0	0	Reserved
0	1	0	1	Reserved
0	1	1	0	325 Hz, 3 Pole
0	1	1	1	Reserved
1	0	0	0	400 Hz, 3 Pole
1	0	0	1	400 Hz, 4 Pole
1	0	1	0	Reserved
1	0	1	1	800 Hz, 4 Pole
1	1	0	0	Reserved
1	1	0	1	Reserved
1	1	1	0	1200 Hz, 4 Pole
1	1	1	1	Reserved

3.1.25.2 \overline{SD} Bit

The \overline{SD} bit determines the format of acceleration data. If the \overline{SD} bit is set to a logic '1', unsigned results are transmitted. If the \overline{SD} bit is cleared, signed results are transmitted. Reference [Section 3.5.4.9](#) for details on signed and unsigned data.

SD	Operating mode
1	Unsigned Data Output
0	Signed Data Output

3.1.25.3 Offset cancellation filter selection bits (OC_FILT[2:0])

The offset cancellation filter selection bits select the high-pass filter and rate limiting used for normal operation. Reference [Section 3.5.4.5](#) for details regarding offset cancellation.

OC_FILT[2]	OC_FILT[1]	OC_FILT[0]	High-pass filter	Rate limiting
0	0	0	0.10 Hz, Single Pole	Enabled
0	0	1	0.10 Hz, Single Pole	Bypassed
0	1	0	Reserved	Reserved
0	1	1	Reserved	Reserved
1	0	0	Reserved	Reserved
1	0	1	Reserved	Reserved
1	1	0	None	NA
1	1	1	None	NA

3.1.26 Acceleration Data registers (ACC_DATAL, ACC_DATAH)

The Acceleration Data registers are read-only registers which contain the 16-bit output acceleration data. A read of the ACC_DATAL register responds with the data from both the ACC_DATAH and ACC_DATAL registers. If all 16-bits of data are desired, it is recommended to read the ACC_DATAL register and to use all 16-bits of the response data.

A read of the either register does not freeze the value of the other register. Thus, subsequent register reads will result in invalid data when re-assembled into a 16-bit value.

Reference [Section 3.5.4.8](#) for details regarding the 16-bit acceleration data.

Table 31. Acceleration Data registers (ACC_DATAL, ACC_DATAH)

Location		Bit							
Address	Register	7	6	5	4	3	2	1	0
\$33	ACC_DATAL	ACC_D[7]	ACC_D[6]	ACC_D[5]	ACC_D[4]	ACC_D[3]	ACC_D[2]	ACC_D[1]	ACC_D[0]
\$34	ACC_DATAH	ACC_D[15]	ACC_D[14]	ACC_D[13]	ACC_D[12]	ACC_D[11]	ACC_D[10]	ACC_D[9]	ACC_D[8]
Factory Default		0	0	0	0	0	0	0	0

3.1.27 Acceleration Status register (ACC_STAT)

The acceleration status register is a read-only register which contains acceleration data specific status information.

Table 32. Acceleration Status register (ACC_STAT)

Location		Bit							
Address	Register	7	6	5	4	3	2	1	0
\$35	ACC_STAT	0	0	0	0	0	ST_ACTIVE	OFFSET_ERR	OC_INIT
Factory Default		0	0	0	0	0	0	0	0

3.1.27.1 Self-Test Active Flag (ST_ACTIVE)

The self-test active bit is set if any of the self-test bits in the ST_CONTROL register are set.

ST_ACTIVE	Condition
0	ST_5_PTRN & ST_A_PTRN & SELFTTEST = 0
1	ST_5_PTRN ST_A_PTRN SELFTTEST = 1

3.1.27.2 Offset Error Flag (OFFSET_ERR)

The offset error flag is set if the acceleration signal reaches the offset limit.

OFFSET_ERR	Error Condition
0	No error detected
1	Offset error detected

3.1.27.3 Offset Cancellation Init Status Flag (OC_INIT)

The offset cancellation initialization status bit is set once the offset cancellation initialization process is complete, and the filter has switched to normal mode.

OC_INIT	Error Condition
0	Offset Cancellation in initialization
1	Offset Cancellation initialization complete

3.1.28 Reserved Registers

A register read command to a reserved register or a register with reserved bits will result in a valid response. The data for reserved bits may be '0' or '1'.

A register write command to a reserved register or a register with reserved bits will execute and result in a valid response. The data for the reserved bits may be '0' or '1'. A write to the reserved bits must always be '0' for normal device operation and performance.

3.1.29 Invalid Register Addresses

A register read command to a register address outside of the addresses listed in [Table 4](#) will result in a valid response. The data for the registers will be '0x00'.

A register write command to a register address outside of the addresses listed in [Table 4](#) will not execute, but will result in a valid response. The data for the registers will be '0x00'.

A register write command to a read-only register will not execute, but will result in a valid response. The data for the registers will be the current contents of the register.

3.2 OTP and Read/Write register array CRC verification

3.2.1 Factory-programmed OTP array lock and verification

The factory-programmed OTP array is verified for errors with an error detection algorithm. The error verification is enabled only when the factory-programmed array is locked.

Once enabled, the verification is continuously calculated on all bits in the registers listed below as well as on the factory-programmable device configuration bits with the exception of the factory lock bit. If an error is detected in the OTP array, the F_OTP_ERR is set in the DEVSTAT2 register.

Register Address	Register Name
\$09	PN
\$0A - \$0D	SN0, SN1, SN2, SN3
\$30	ACC_FCTCFG
\$31	ACC_STDATA

The verification is completed on the memory registers which hold a copy of the fuse array values, not the fuse array values.

3.2.2 User Programmable OTP Array Lock and Error Verification

The User Programmable OTP array is independently verified for errors with an error detection algorithm. The verification is enabled only when the User Programmable OTP array is locked.

Once the LOCK_U bit is active, the verification is continuously calculated on the user programmable OTP Array, which includes the registers listed below. If an error is detected in the OTP array, the U_OTP_ERR is set in the DEVSTAT2 register.

Register Address	Register Name	Number of Bits
\$03 - \$05	MODTYPE[2:0], MODMFGID[2:0], MODREV[2:0]	9
\$06	USERID[7:0]	8
\$11	PHYSADDR[3:0]	4
\$20	DEVLOCK[7]	1

The verification is completed on the memory registers which hold a copy of the fuse array values, not the fuse array values.

3.2.3 User Programmable Read/Write Array Lock and CRC Verification

The User Programmable read/write array is independently verified for errors with an error detection algorithm. The verification is enabled only when the PDCM_EN bit is set in the PDCM_EN register.

Once the PDCM_EN bit is set, register writes are ignored and the verification is continuously calculated on the user programmable read/write array, which includes the registers listed below. If an error is detected in the array, the U_RW_ERR is set in the DEVSTAT2 register.

Register Address	Register Name
\$11	PHYSADDR[3:0] - Secondary Register written during Discovery Mode and/or CRM
\$12 - \$1E	BDM_CFG, CRM_CFG, PDCM_CFG, PDCM_EN, CHIPTIME, PDCM_PER_L, PDCM_PER_H, PDCM_RSPST_L, PDCM_RSPST_H, PDCM_CMD_B_L, PDCM_CMD_B_H, SOURCEID, BUSSW_CTRL
\$23	ST_CONTROL
\$24	WRITE_NVM_EN
\$25 - \$27	C_CRMCRCPLY, R_CRMCRCPLY, PDCMCRCPLY
\$32	ACC_CFG

3.3 Voltage regulators

The device derives its internal supply voltage from the BUS_I and V_{SS} pins. The internal regulators are supplied by a buffer regulator (V_{BUF}) to provide immunity from EMC and supply dropouts on BUS_I. External filter capacitors are required, as shown in Figure 3 on page 5.

The voltage regulator module includes voltage monitoring circuitry which holds the device in reset following power-on until the internal voltages have increased above the undervoltage detection thresholds. The voltage monitor asserts internal reset when the external supply or internally regulated voltages fall below the undervoltage detection thresholds. A reference generator provides a reference voltage for the ΣΔ converter.

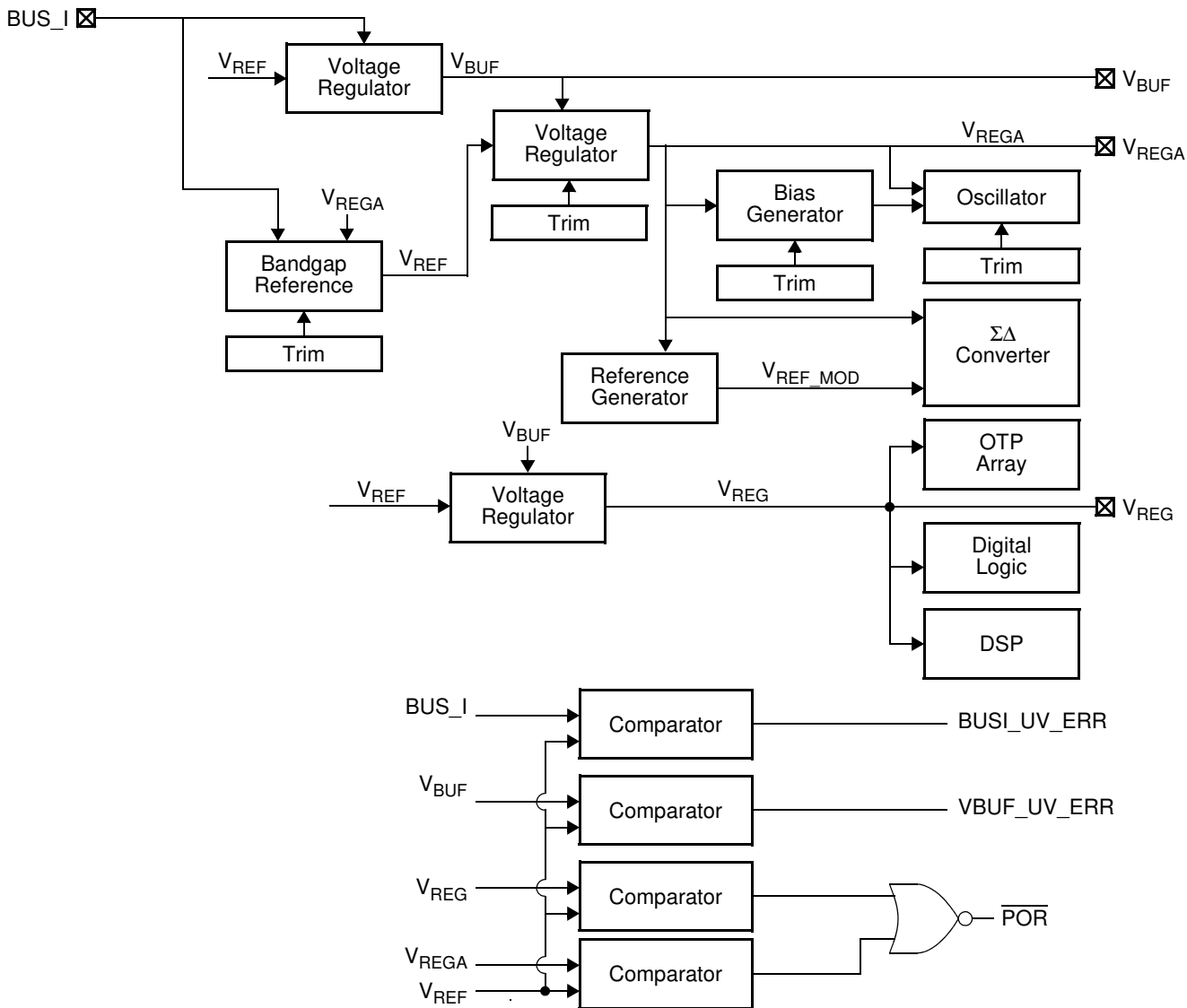


Figure 6. Voltage regulation and monitoring

3.3.1 V_{BUF}, V_{REG} and V_{REGA} regulator capacitor

The internal regulators require an external capacitor between the V_{BUF} pin and the V_{SS} pin, the V_{REG} pin and the V_{SS} pin and the V_{REGA} pin and the V_{SSA} pin for stability. Figure 3 on page 5 shows the recommended types and values for each of these capacitors.

3.3.2 BUS_I, V_{BUF}, V_{REG}, V_{REGA}, undervoltage monitor

A circuit is incorporated to monitor the BUS_I supply voltage and the internally regulated voltages, V_{BUF}, V_{REG} and V_{REGA}. If any of the voltages fall below the specified undervoltage thresholds in [Section 2.3](#), the device will react as listed below.

- BUS_I
 - If BUS_I falls below the specified threshold at any time, the BUSI_UV_ERR bit is set in the DEVSTAT2 register. The BUS_I_UV_ERR bit will be cleared once the supply returns above the threshold and either one Periodic Data Collection Mode status is transmitted with the VBUF_ERR bit set, or a response to a Command and Response Mode Register Read of the DEVSTAT2 register is transmitted.
 - If BUS_I falls below the specified threshold during a command transmission in Command and Response Mode, the command is ignored, and no DSI3 response transmission occurs. Once the supply returns above the threshold, the device will resume decoding commands.
 - If BUS_I falls below the specified threshold during a response transmission in Command and Response Mode, the response is terminated. No attempt is made to resend the response. Once the supply returns above the threshold, the device will resume decoding commands.
 - If BUS_I falls below the specified threshold during a command transmission in Periodic Data Collection Mode, the command is ignored and no periodic response occurs during that period. Once the supply returns above the threshold, the device will resume periodic transmissions in response to commands. The device will resume decoding Background Diagnostic Mode commands after the Start Condition is met.
 - If BUS_I falls below the specified threshold during a periodic response transmission in Periodic Data Collection Mode, the response is terminated. No attempt is made to resend the response. Once the supply returns above the threshold, the device will resume periodic transmissions in response to commands. The device will resume decoding Background Diagnostic Mode commands after the Start Condition is met.
 - If BUS_I falls below the specified threshold during a Background Diagnostic Mode response transmission in Periodic Data Collection Mode, the response is terminated. No attempt is made to resend the response. Once the supply returns above the threshold, the device will resume periodic transmissions in response to commands. The device will resume decoding Background Diagnostic Mode commands after the Start Condition is met.
- V_{BUF}
 - If V_{BUF} falls below the specified threshold at any time, the VBUF_UV_ERR bit is set in the DEVSTAT2 register. If a response transmission is in process, the response is terminated. No attempt is made to resend the response. Once the supply returns above the threshold, the device will resume decoding commands and transmission of responses. The VBUF_UV_ERR bit will be cleared once the supply returns above the threshold and one Periodic Data Collection Mode status is transmitted with the VBUF_UV_ERR bit set.
- V_{REG} or V_{REGA}
 - If V_{REG} or V_{REGA} falls below the specified threshold at any time, the device is reset.

Reference [Figure 7](#) for an example of a supply line interruption during a response in Periodic Data Collection Mode.

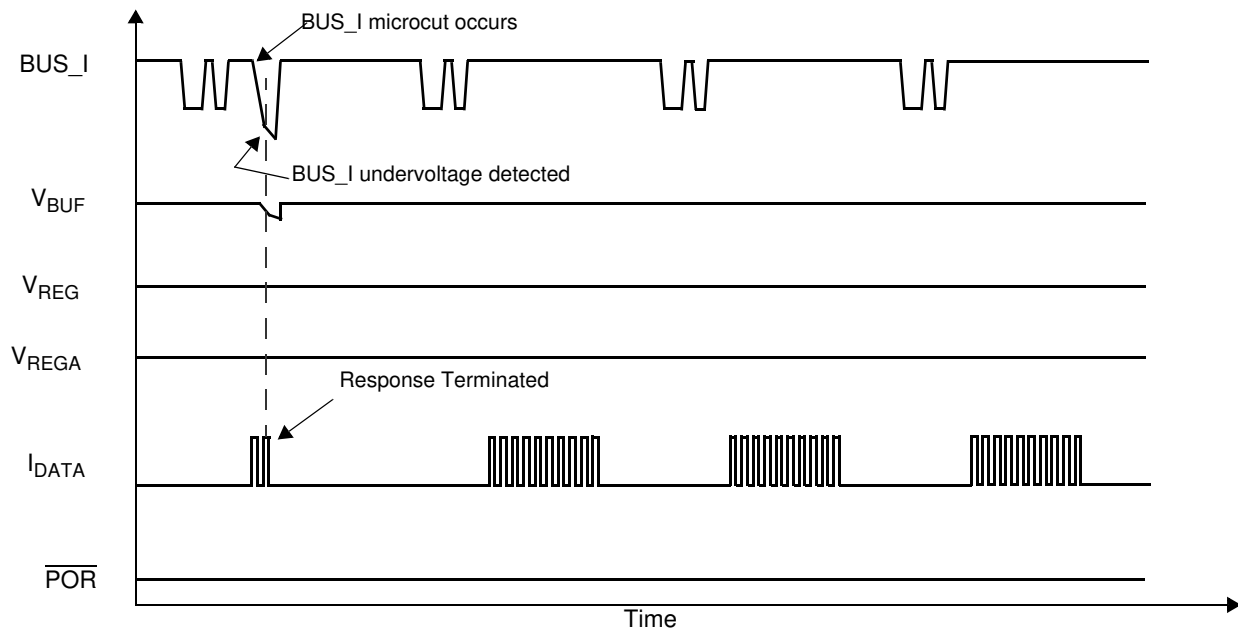


Figure 7. BUS_I Microcut response

3.3.3 V_{BUF} Capacitance monitor

A monitor circuit is incorporated to ensure predictable operation if the connection to the external V_{BUF} capacitor becomes open. The V_{BUF} regulator is disabled t_{POR_CAPTEST} seconds after POR for a duration of t_{V_{BUF}CAPTST_TIME} seconds. If the external capacitor is not present, the regulator voltage will fall below the threshold specified in Section 2.3 causing the V_{BUF_ERR} bit to be set in the DEVSTAT2 register.

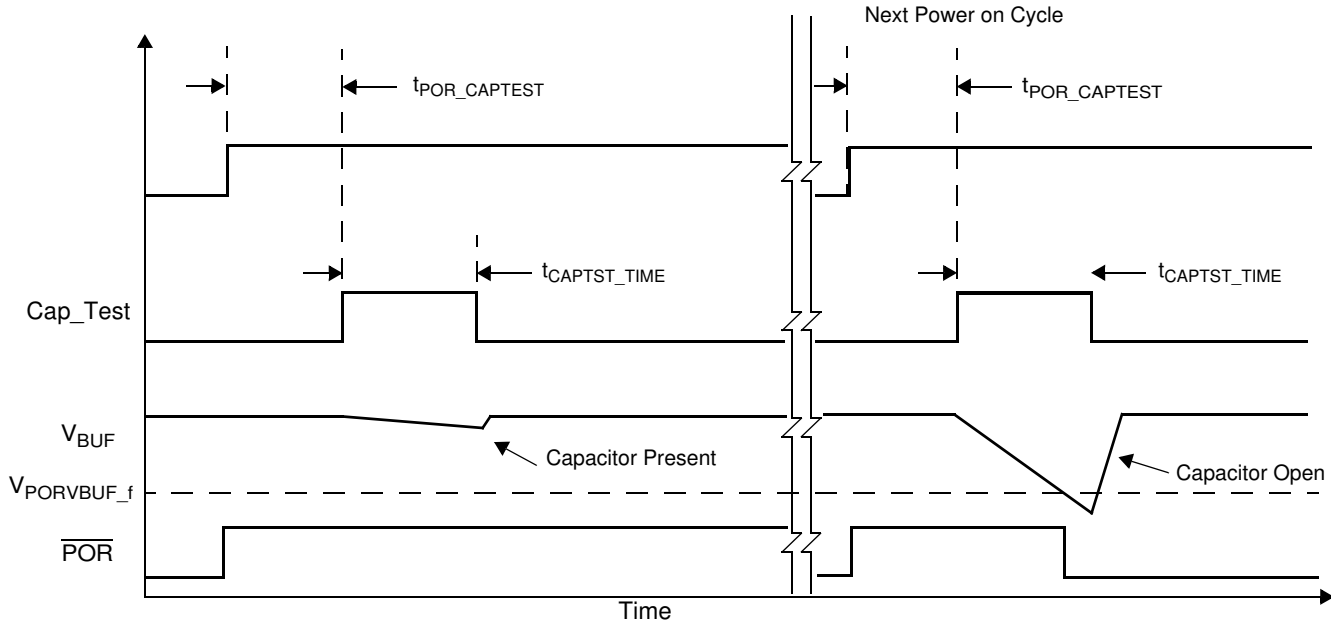


Figure 8. V_{BUF} Capacitor monitor

3.3.4 V_{REG} capacitance monitor

A monitor circuit is incorporated to ensure predictable operation if the connection to the external V_{REG} capacitor becomes open. The V_{REG} regulator is disabled t_{POR_CAPTEST} seconds after POR for a duration of t_{VREGCAPTST_TIME} seconds. If the external capacitor is not present, the regulator voltage will fall below the internal reset threshold, forcing a device reset.

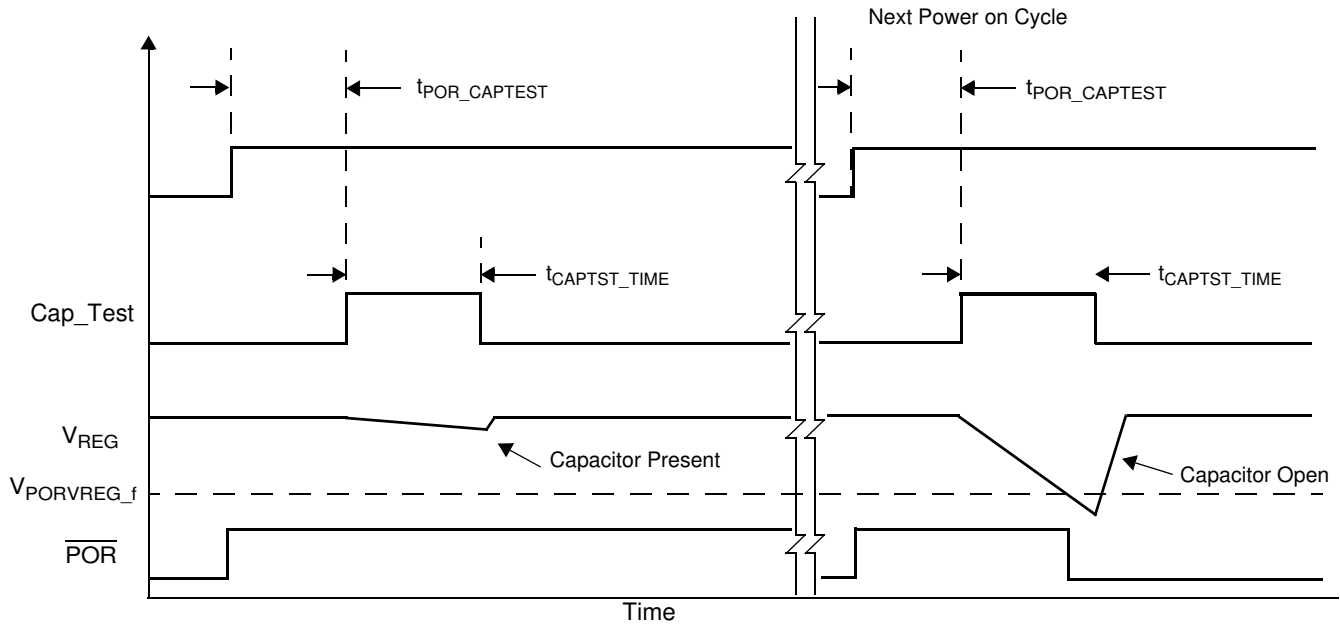


Figure 9. V_{REG} Capacitor Monitor

3.3.5 V_{REGA} Capacitance Monitor

A monitor circuit is incorporated to ensure predictable operation if the connection to the external V_{REGA} capacitor becomes open. The V_{REGA} regulator is disabled t_{POR_CAPTEST} seconds after POR for a duration of t_{VREGCAPTST_TIME} seconds. If the external capacitor is not present, the regulator voltage will fall below the internal reset threshold, forcing a device reset.

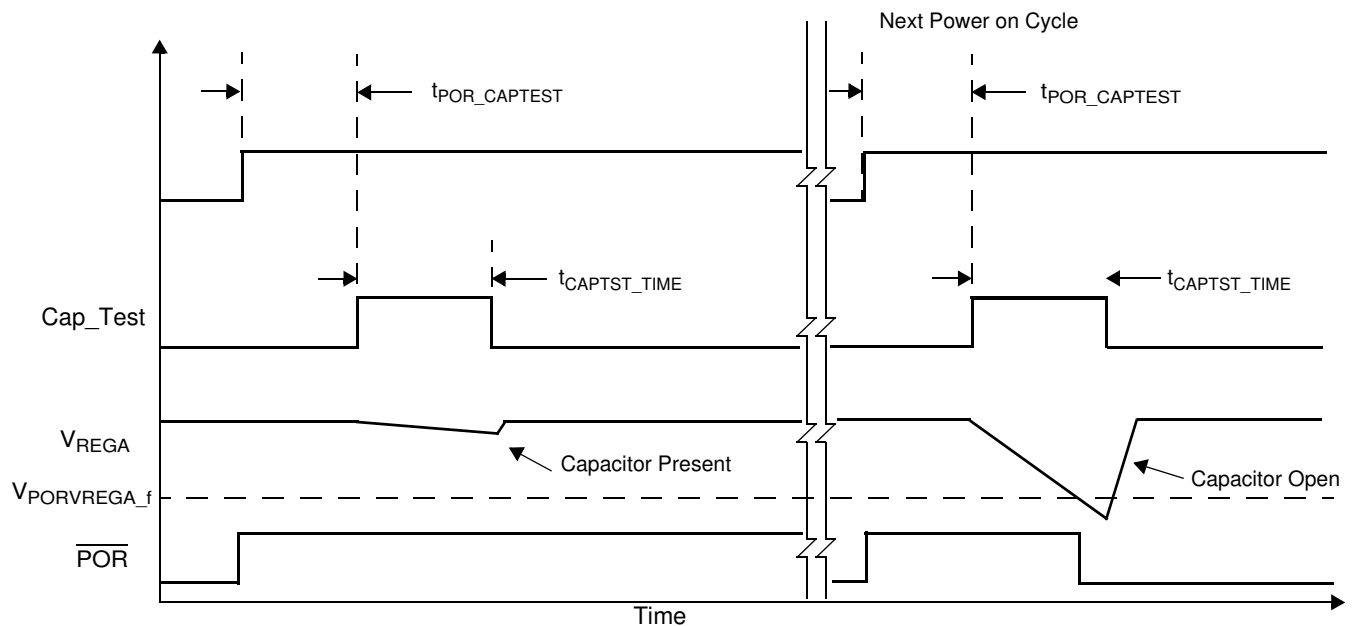


Figure 10. V_{REGA} capacitor monitor

3.4 Internal oscillator

The device includes a factory-trimmed oscillator as specified in [Section 2.8](#).

3.4.1 Oscillator training

The device includes a feature to train the oscillator to a tighter accuracy than the factory-trimmed capability assuming the system master has a tighter oscillator accuracy than the slave factory trimmed capability. Oscillator training is enabled if the CK_CAL_EN bit is set in the CRM_CFG register and is accomplished by verifying the timing of periodic transmissions from the master against the values stored in the CRM_PER[1:0] and PDCM_PER[2:0] bits of the user read/write register array. The master programs the intended Periodic Data Collection Mode command period into the PDCM_PER[2:0] bits and the intended Command and Response Mode command period into the CRM_PER[1:0] bits. The device then calculates the number of transmission periods for every 4 ms ($n_{CRM_PER_4ms_TYP}$ and $n_{PDCM_PER_4ms_TYP}$).

In Command and Response Mode, oscillator training is completed over 4 ms periods if and only if the CK_CAL_EN bit is set and the Command and Response Mode period is between 500 μ s and 4 ms, inclusive. The following procedure is used to train the oscillator ([Figure 11](#)):

1. The device counts the number of oscillator cycles in $n_{CRM_PER_4ms_TYP}$ periods (n_{OSC_4ms}).
2. n_{OSC_4ms} is compared to $n_{OSC_4ms_TYP}$. If the value is within the acceptable training window ($OscTrain_{WIN}$) specified in [Section 2.8](#), an oscillator adjustment is made. Otherwise, no adjustment is made.
 - a) If n_{OSC_4ms} is greater than $n_{OSC_4ms_TYP} + OscTrain_{ADJ}$, the oscillator frequency target is decreased by $OscTrain_{RES}$.
 - b) If n_{OSC_4ms} is less than $n_{OSC_4ms_TYP} - OscTrain_{ADJ}$, the oscillator frequency target is increased by $OscTrain_{RES}$.
 - c) The oscillator frequency target value is changed at the end of the command blocking time for the command ending the $n_{CRM_PER_OSC}$ calculation.

If the CK_CAL_EN bit is cleared after oscillator training has already been initiated, the state of the oscillator is determined by the state of the CK_CAL_RST bit in the CRM_CFG register. If the CK_CAL_RST bit is cleared, the last adjustment value for the oscillator is maintained. If the CK_CAL_RST bit is set, the oscillator is reset to its untrained value with the untrained tolerance specified in [Section 2.8](#).

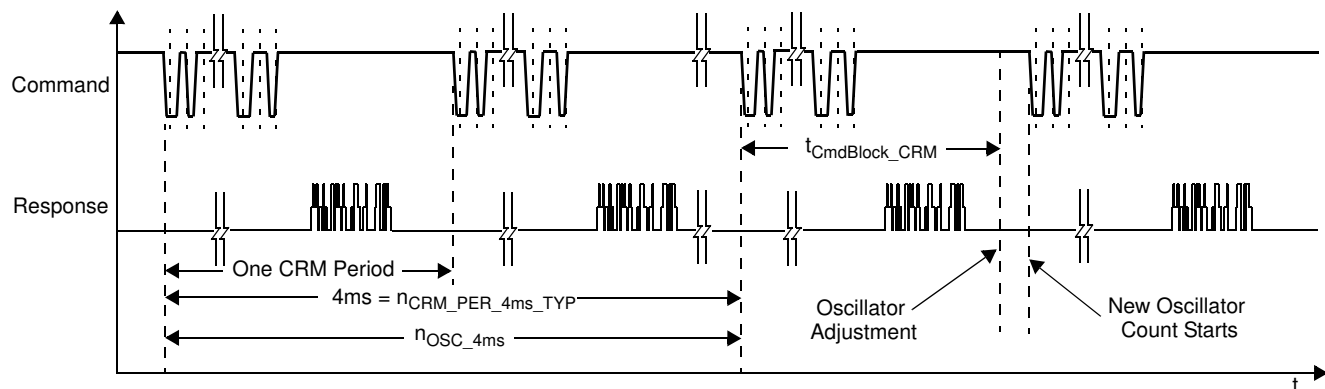


Figure 11. Command and Response Mode oscillator training timing diagram

In Periodic Data Collection Mode, oscillator training is completed over 4 ms periods if the CK_CAL_EN bit is set. The following procedure is used to train the oscillator (reference [Figure 12](#)):

1. The device counts the number of oscillator cycles in $n_{PDCM_PER_4ms_TYP}$ periods (n_{OSC_4ms}).
2. n_{OSC_4ms} is compared to $n_{OSC_4ms_TYP}$. If the value is within the acceptable training window ($OscTrain_{WIN}$) specified in [Section 2.8](#), an oscillator adjustment is made. Otherwise, no adjustment is made.
 - a) If n_{OSC_4ms} is greater than $n_{OSC_4ms_TYP} + OscTrain_{ADJ}$, the oscillator frequency target is decreased by $OscTrain_{RES}$.
 - b) If n_{OSC_4ms} is less than $n_{OSC_4ms_TYP} - OscTrain_{ADJ}$, the oscillator frequency target is increased by $OscTrain_{RES}$.
 - c) The oscillator frequency target value is changed at the end of the command blocking time for the command ending the $n_{PDCM_PER_OSC}$ calculation.

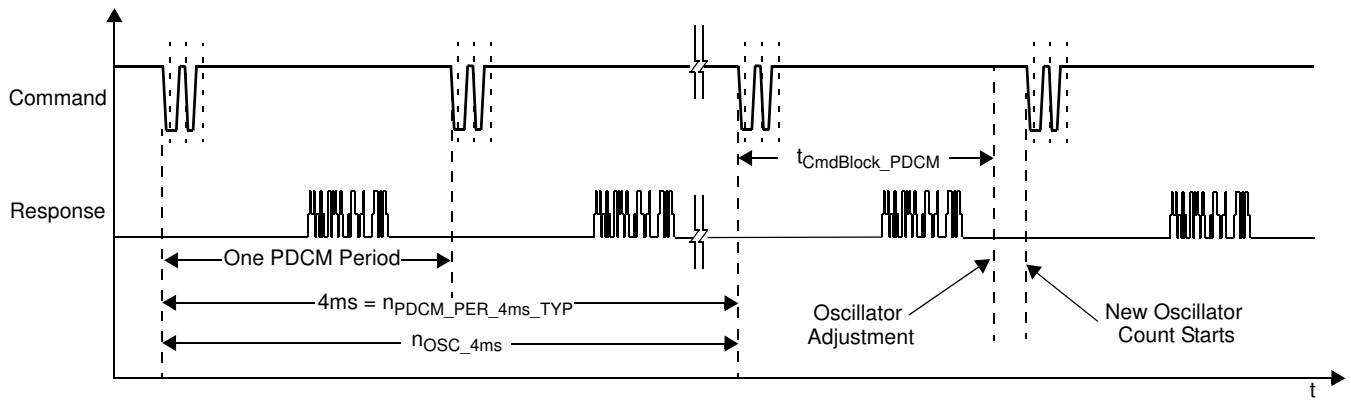


Figure 12. Periodic Data Collection Mode oscillator training timing diagram

3.4.2 Oscillator training error handling

If oscillator training is enabled by the user, but the conditions are not correct to complete oscillator training, the OSC_TRAIN bit is set in the DEVSTAT register. The following conditions will result in the OSCTRAIN_ERR bit being set.

- The CLK_CAL_EN bit in the CRM_CFG register is set, the device is in Command and Response Mode and Command and Response Mode period is not set to 500 μs, 666 μs, 1000 μs, 1333 μs, 2000 μs or 4000 μs.
- The CLK_CAL_EN bit in the CRM_CFG register is set and the measured period (n_{OSC_4ms}) for either Command and Response Mode or Periodic Data Collection Mode is outside of the Oscillator Training Window (OscTrain_{WIN}).
 - The result of the comparison is filtered with an up and down counter.
 - If n_{OSC_4ms} is outside the oscillator training window, the counter is incremented.
 - If n_{OSC_4ms} is inside the oscillator training window, the counter is decremented.
 - If the counter reaches 64 counts, the OSCTRAIN_ERR bit is set.
 - The up and down counter has a maximum value of 127 and a minimum value of 0.

3.5 Acceleration signal path

3.5.1 Transducer

The device transducer is an overdamped mass-spring-damper system defined by the following transfer function:

$$H(s) = \frac{\omega_n^2}{s^2 + 2 \cdot \xi \cdot \omega_n \cdot s + \omega_n^2} \quad \text{Eqn. 1}$$

where:

ζ = Damping Ratio

ω_n = Natural Frequency = $2 \cdot \pi \cdot f_n$

Reference [Section 2.7](#) for transducer parameters.

3.5.2 Self-test interface

The self-test interface applies a voltage to the g-cell, causing deflection of the proof mass. The resulting acceleration readings can be compared against the values stored in the Self-Test Deflection registers (Reference [Section 3.1.24](#)). The self-test interface is controlled through SPI write operations to the ST_CONTROL register described in [Section 3.1.20](#). The PDCM_EN bit in the PDCM_EN register must also be low to enable self-test (Periodic Data Collection Mode not enabled). A diagram of the self-test interface is shown in [Figure 13](#).

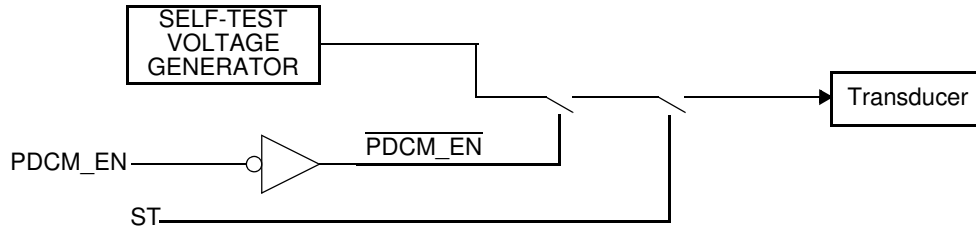


Figure 13. Self-test interface

Self-test can be verified via two methods:

3.5.2.1 Raw self-test deflection verification

The raw self-test deflection can be verified against raw self-test limits in [Section 2.5](#).

3.5.2.2 Delta self-test deflection verification

The raw self-test deflection can be verified against the nominal temperature self-test deflection value recorded at the time the device was produced. The production self-test deflection is stored in the ACC_STDATA register such that the minimum stored value (0x00) is equivalent to ΔST_{MIN} , and the maximum stored value (0xFF) is equivalent to ΔST_{MAX} . The Delta Self-test Deflection limits can then be determined by the following equations:

$$\Delta ST_{ACCMINLIMIT} = \text{FLOOR} \cdot [(\Delta ST_{MIN} + \text{ACCSTDATA}) \times (1 - \Delta ST_{ACC})] \quad \text{Eqn. 2}$$

$$\Delta ST_{ACCMAXLIMIT} = \text{CEIL} \cdot [(\Delta ST_{MIN} + \text{ACCSTDATA}) \times (1 + \Delta ST_{ACC})] \quad \text{Eqn. 3}$$

where:

ΔST_{ACC} = The accuracy of the self-test deflection relative to the stored deflection as specified in [Section 2.5](#).

ACCSTDATA = The value stored in the ACC_STDATA register.

ΔST_{MIN} = The minimum self-test deflection at 25°C as specified in [Section 2.5](#).

ΔST_{MAX} = The maximum self-test deflection at 25°C as specified in [Section 2.5](#).

3.5.3 Analog front-end and $\Sigma\Delta$ converter

A sigma delta modulator converts the differential capacitance of the transducer to a data stream that is input to the DSP.

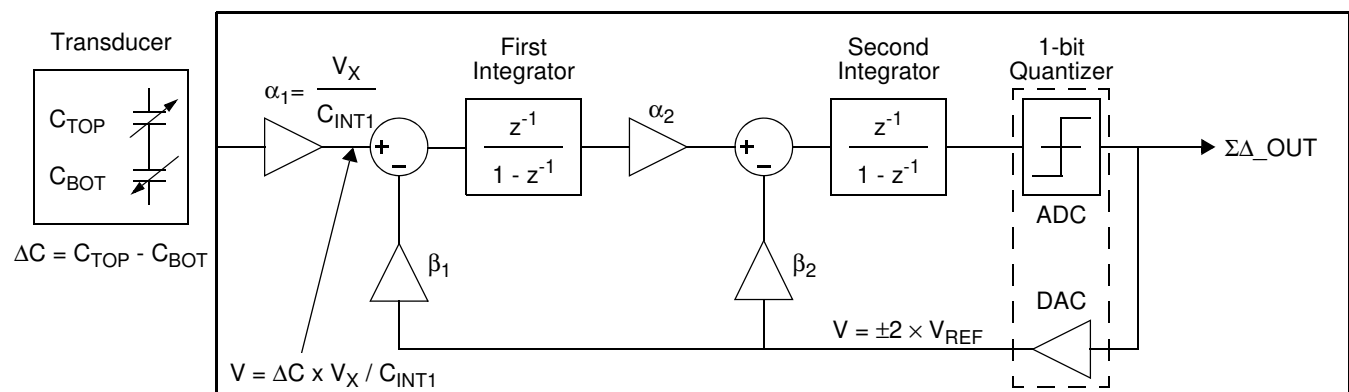


Figure 14. $\Sigma\Delta$ Converter block diagram

3.5.4 Digital-signal processor

A digital-signal processor (DSP) is used to perform signal filtering and compensation. A diagram illustrating the signal processing flow within the DSP is shown in [Figure 15](#).

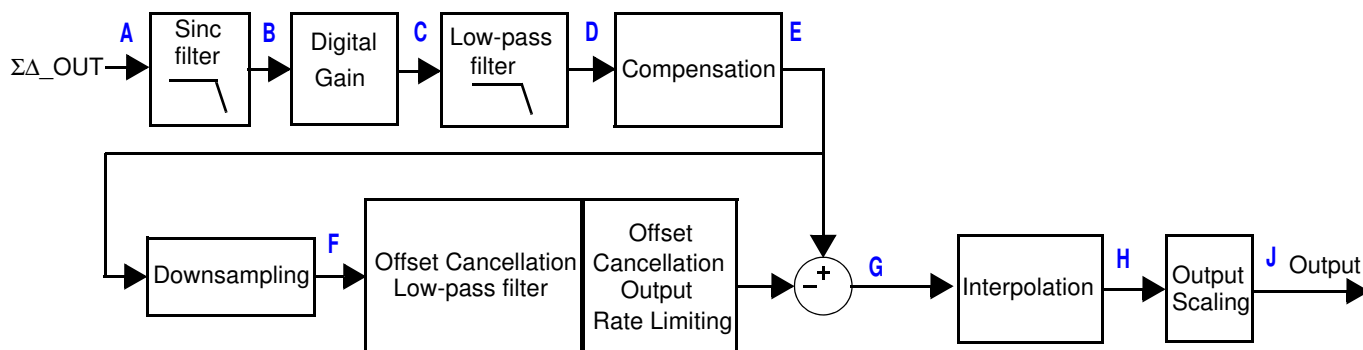


Figure 15. Signal-chain diagram

Table 33. Signal-chain characteristics

	Description	Sample time (μs)	Data Width (Bits)	Overrange (Bits)	Signal Width (Bits)	Signal Noise (Bits)	Signal Margin (Bits)	Typical Block Latency	Reference
A	SD	1	1		1			51 μs	Section 3.5.3
B	SINC filter	16	20		14				Section 3.5.4.1
C	Digital gain	16	20		14				Section 3.5.4.2
D	Low-pass filter	16	26	4	10	3	9	Section 3.5.4.3	Section 3.5.4.3
E	Compensation	16	26	4	10	3	9	17 μs	Section 3.5.4.4
F	Down sampling	256	26	4	10	3	9		
G	Offset cancellation	256	26	4	10	3	9	Section 3.5.4.5	Section 3.5.4.5
H	DSP sampling and interpolation	8			10			8 μs	Section 3.5.4.7
J	10-bit output scaling	1			10			1 μs	Section 3.5.4.8

3.5.4.1 Decimation Sinc filter

The serial data stream produced by the $\Sigma\Delta$ converter is decimated and converted to parallel values by a 3rd order sinc filter with a decimation factor of 16.

$$H(z) = \left[\frac{1 - z^{-16}}{16 \times (1 - z^{-1})} \right]^3 \quad \text{Eqn. 4}$$

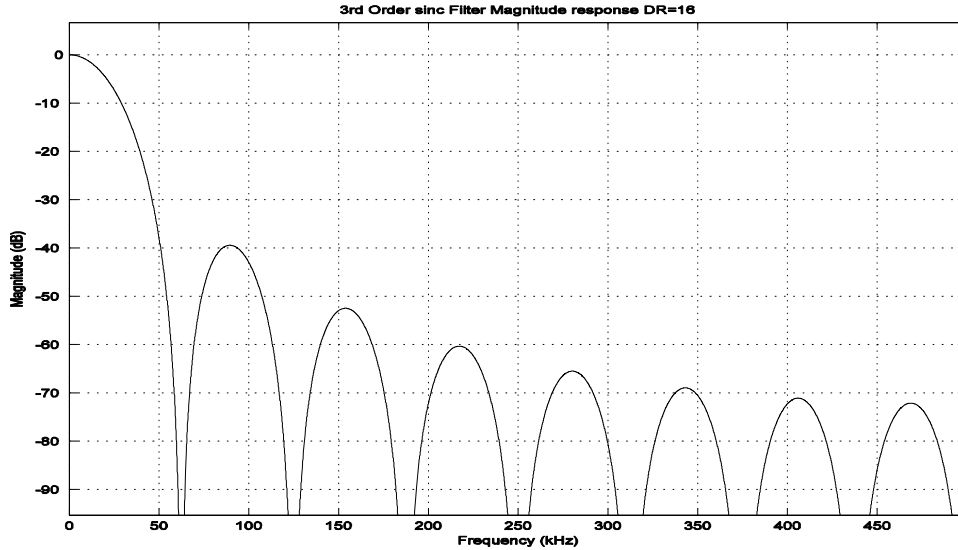


Figure 16. Sinc-filter response

3.5.4.2 Digital gain

The DSP applies a selectable one or two times digital gain to the output of the sinc filter. The gain applied is dependent on the output range of the device.

3.5.4.3 Low-pass filter

Data from the Sinc filter is processed by an infinite impulse response (IIR) low-pass filter.

$$H(z) = a_0 \cdot \frac{(n_{11} \cdot z^0) + (n_{12} \cdot z^{-1}) + (n_{13} \cdot z^{-2})}{(d_{11} \cdot z^0) + (d_{12} \cdot z^{-1}) + (d_{13} \cdot z^{-2})} \cdot \frac{(n_{21} \cdot z^0) + (n_{22} \cdot z^{-1}) + (n_{23} \cdot z^{-2})}{(d_{21} \cdot z^0) + (d_{22} \cdot z^{-1}) + (d_{23} \cdot z^{-2})} \quad \text{Eqn. 5}$$

The device provides the option for one of six low-pass filters. The filter is selected with the LPF[3:0] bits in the ACC_CFG register. The filter selection options are listed in [Section 3.1.25.1](#). Response parameters for the low-pass filter are specified in [Section 2.7](#). Filter characteristics are illustrated in the following figures.

Table 34. Low-pass filter coefficients

Filter Number	Description -3dB Frequency (±5%)	Filter order	Filter Coefficients				Group Delay	Attenuation @ 1000 Hz (dB)		
								Min	Typ	Max
	180 Hz	2	a ₀	0.000534069200512			1190 μs	24.8	25.6	26.5
			n ₁₁	0.25	d ₁₁	1				
			n ₁₂	0.499999985098839	d ₁₂	-1.959839582443237				
			n ₁₃	0.25	d ₁₃	0.960373640060425				
			n ₂₁	1	d ₂₁	1				
			n ₂₂	0	d ₂₂	0				
			n ₂₃	0	d ₂₃	0				
	325Hz	3	a ₀	0.04247547499835491180			856 μs	20.2	21.4	22.6
			n ₁₁	0.00109037756919860840	d ₁₁	1				
			n ₁₂	0.00108939409255981445	d ₁₂	-0.95752453804016113281				
			n ₁₃	0	d ₁₃	0				
			n ₂₁	0.24988752603530883789	d ₂₁	1				
			n ₂₂	0.49999989569187164307	d ₂₂	-1.93140876293182373047				
			n ₂₃	0.25011256337165832520	d ₂₃	0.93358850479125976562				
	400 Hz	3	a ₀	0.05189235225042199			697 μs	15.5	16.7	17.8
			n ₁₁	0.001629077582099646	d ₁₁	1				
			n ₁₂	0.001630351547919014	d ₁₂	-0.9481076477495780				
			n ₁₃	0	d ₁₃	0				
			n ₂₁	0.2500977520825902	d ₂₁	1				
			n ₂₂	0.4999999235890745	d ₂₂	-1.915847097557409				
			n ₂₃	0.2499023243303036	d ₂₃	0.9191065266874253				
	400 Hz	4	a ₀	0.003135988372378			841 μs	18.1	19.5	21.0
			n ₁₁	0.000999420881271	d ₁₁	1.0				
			n ₁₂	0.001998946070671	d ₁₂	-1.892452478408814				
			n ₁₃	0.000999405980110	d ₁₃	0.89558845758438				
			n ₂₁	0.250004753470421	d ₂₁	1.0				
			n ₂₂	0.499986037611961	d ₂₂	-1.919075012207031				
			n ₂₃	0.250009194016457	d ₂₃	0.923072755336761				
	800 Hz	4	a ₀	0.011904109735042			420 μs	4.42	4.94	5.54
			n ₁₁	0.003841564059258	d ₁₁	1.0				
			n ₁₂	0.007683292031288	d ₁₂	-1.790004611015320				
			n ₁₃	0.003841534256935	d ₁₃	0.801908731460571				
			n ₂₁	0.250001862645149	d ₂₁	1.0				
			n ₂₂	0.499994158744812	d ₂₂	-1.836849451065064				
			n ₂₃	0.250003993511200	d ₂₃	0.852215826511383				
	1200 Hz	4	a ₀	0.025461918674409			280 μs	1.83	2.03	2.27
			n ₁₁	0.008307680487633	d ₁₁	1.0				
			n ₁₂	0.016615495085716	d ₁₂	-1.692260980606079				
			n ₁₃	0.008307650685310	d ₁₃	0.717722892761230				
			n ₂₁	0.250000774860382	d ₂₁	1.0				
			n ₂₂	0.499997481703758	d ₂₂	-1.753850817680359				
			n ₂₃	0.250001743435860	d ₂₃	0.787081658840179				

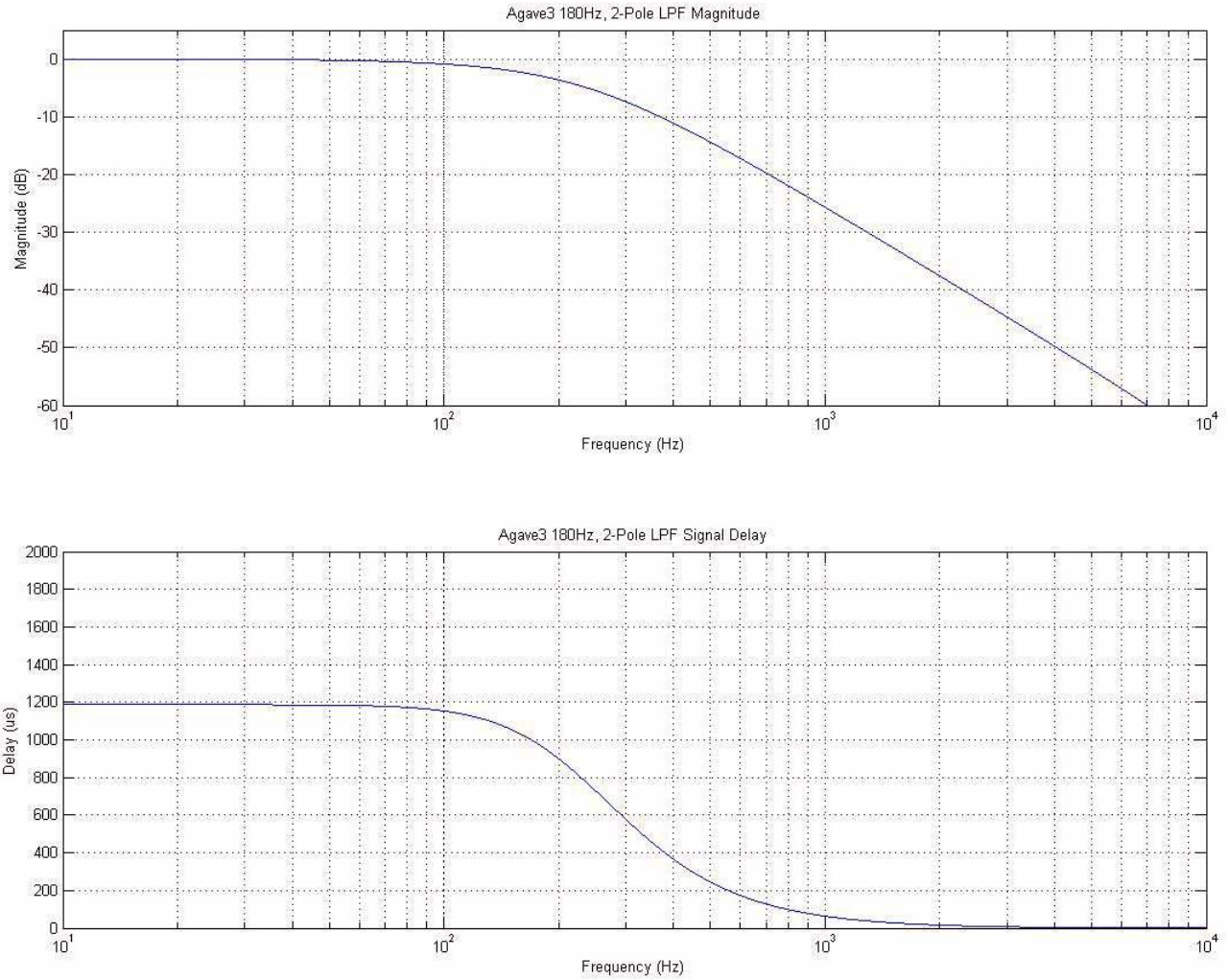


Figure 17. Low-pass filter characteristics: $f_C = 180$ Hz, 2-Pole, $t_S = 16 \mu\text{s}$

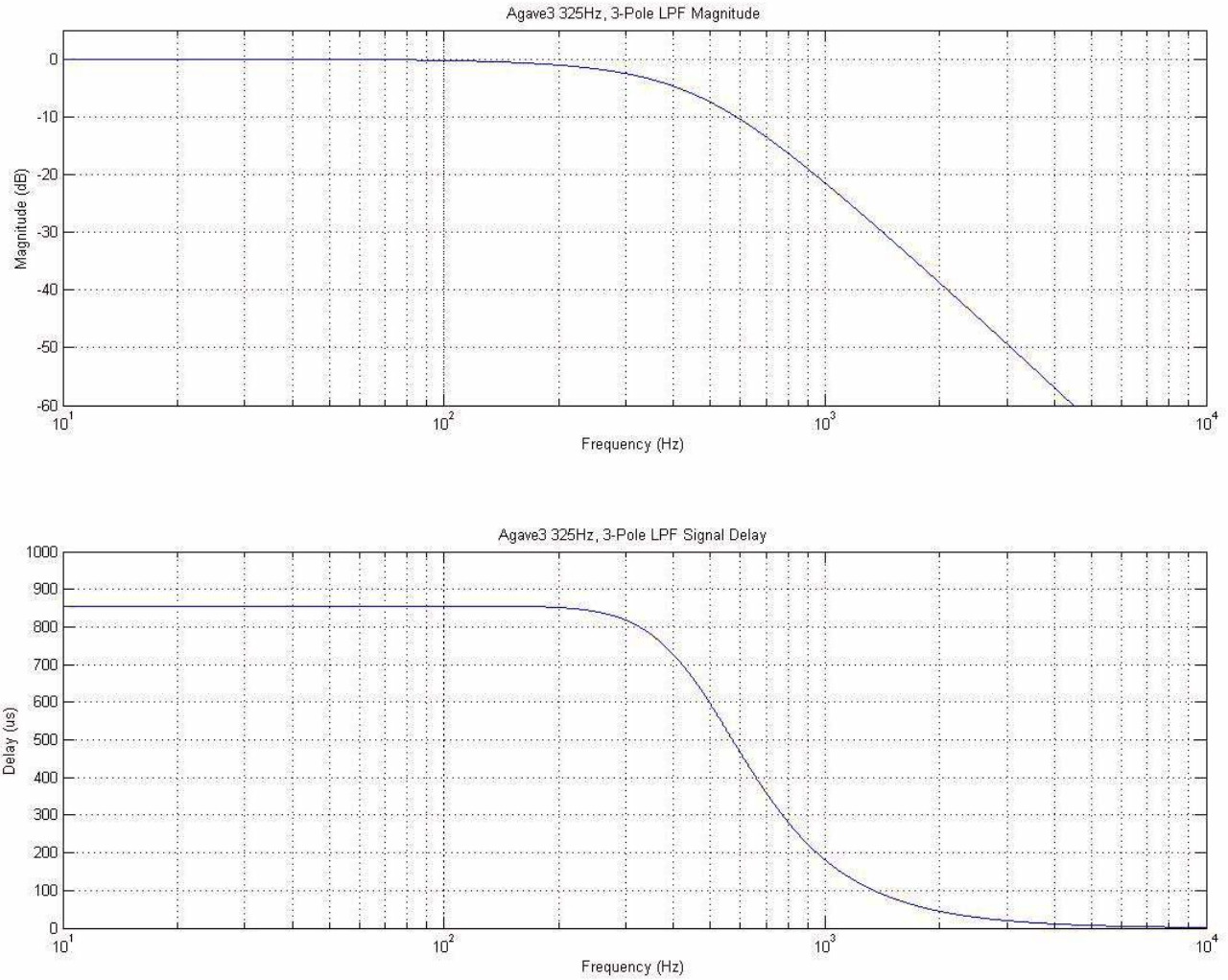


Figure 18. Low-pass filter characteristics: $f_C = 325$ Hz, 3-Pole, $t_S = 16 \mu\text{s}$

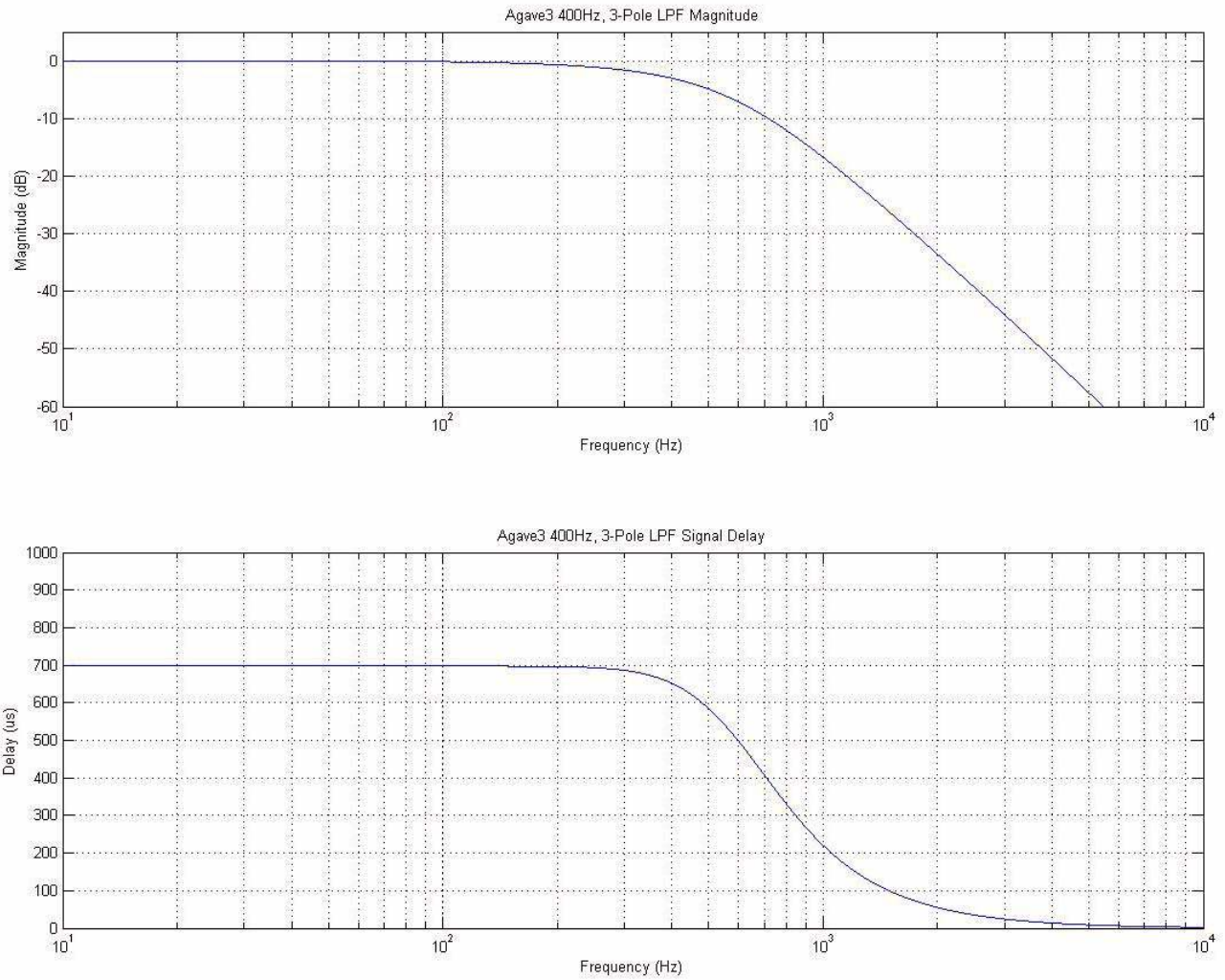


Figure 19. Low-pass filter characteristics: $f_C = 400$ Hz, 3-Pole, $t_S = 16 \mu\text{s}$

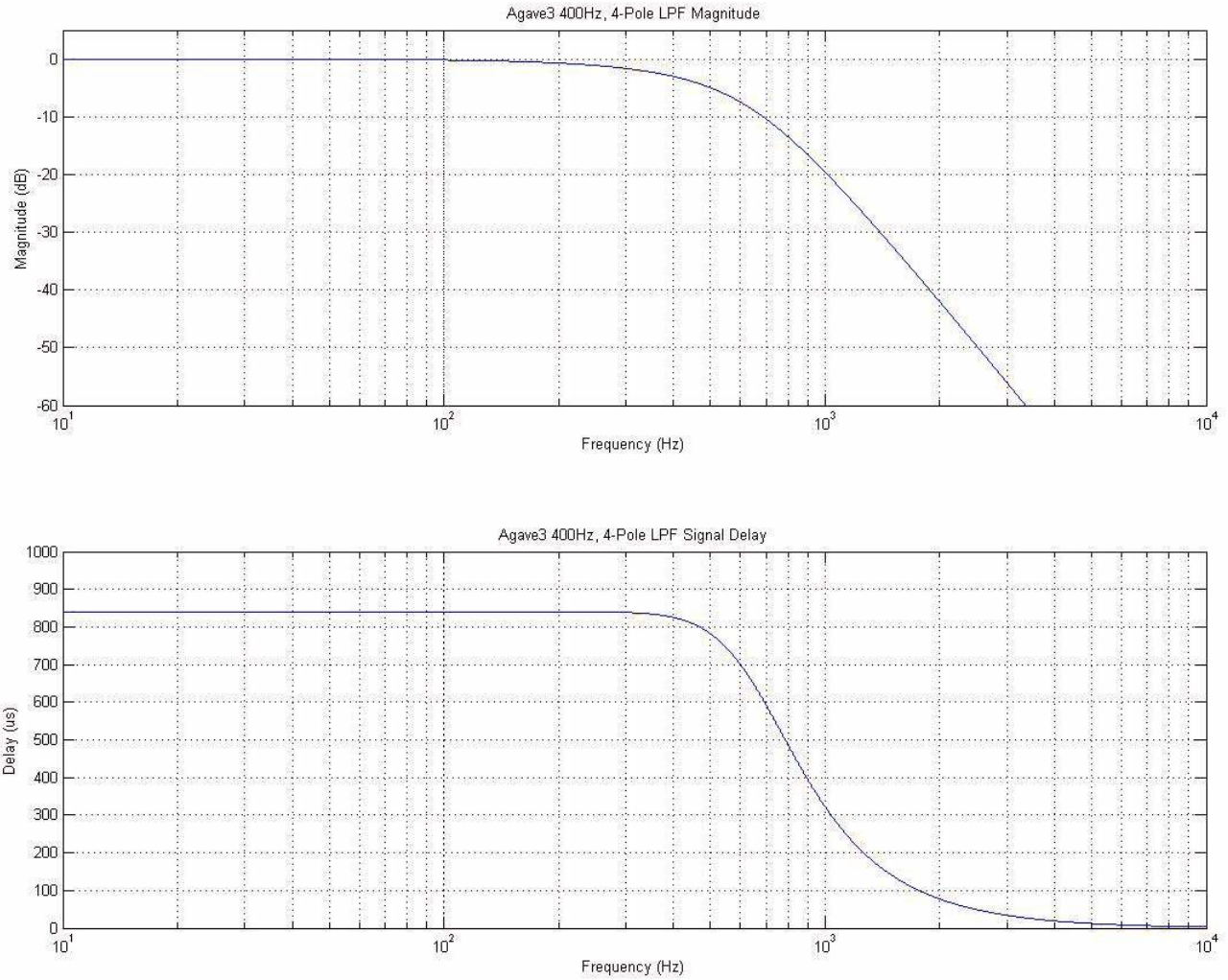


Figure 20. Low-pass filter characteristics: $f_C = 400$ Hz, 4-Pole, $t_S = 16 \mu s$

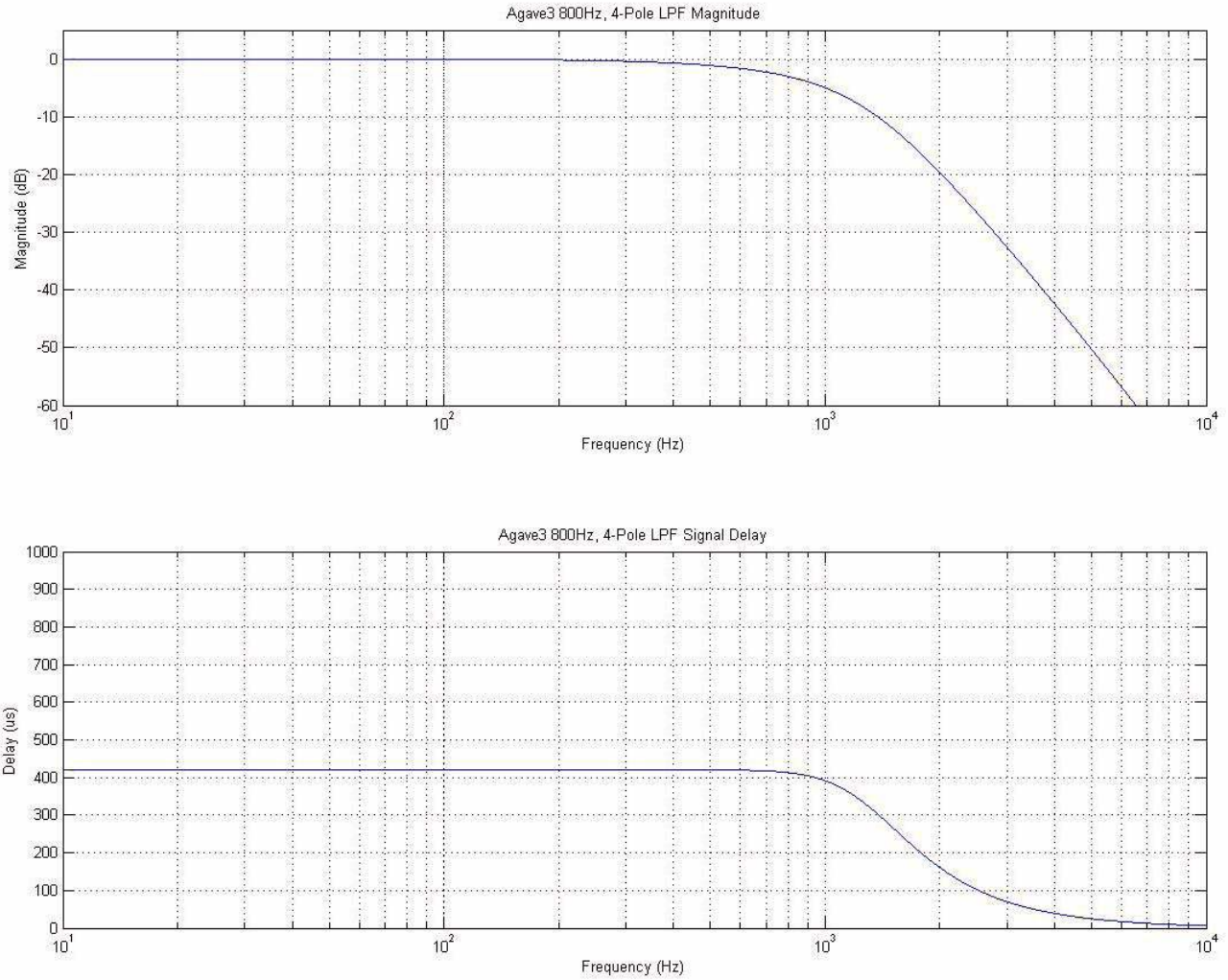


Figure 21. Low-pass filter characteristics: $f_C = 800$ Hz, 4-Pole, $t_S = 16 \mu$ s

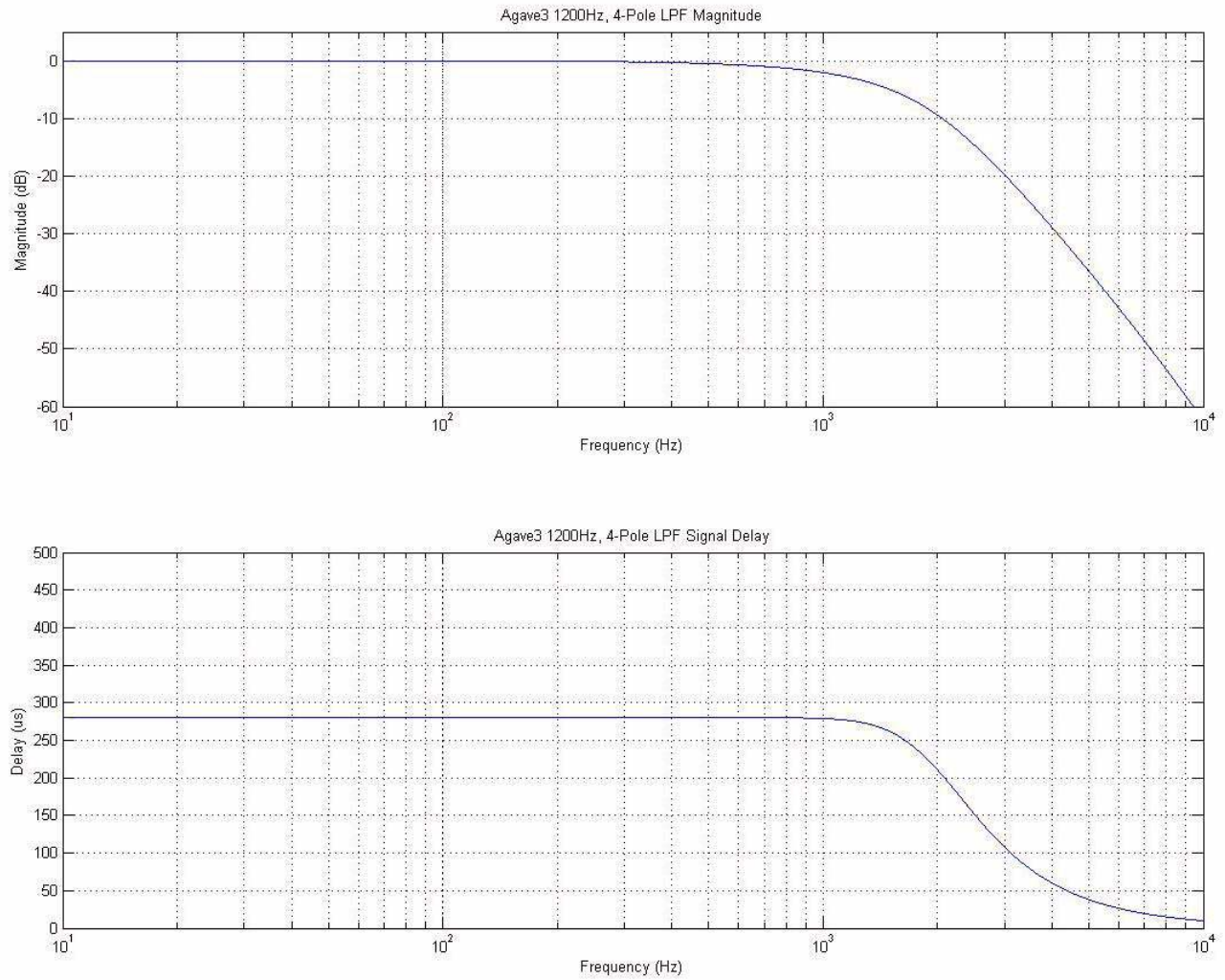


Figure 22. Low-pass filter characteristics: $f_C = 1200$ Hz, 4-Pole, $t_S = 16 \mu$ s

3.5.4.4 Signal compensation

The device includes internal gain and compensation circuitry to compensate for sensor offset, sensitivity and non-linearity.

3.5.4.5 Offset cancellation

The device provides an optional offset cancellation circuit to remove internal offset error. A block diagram of the offset cancellation is shown in Figure 23.

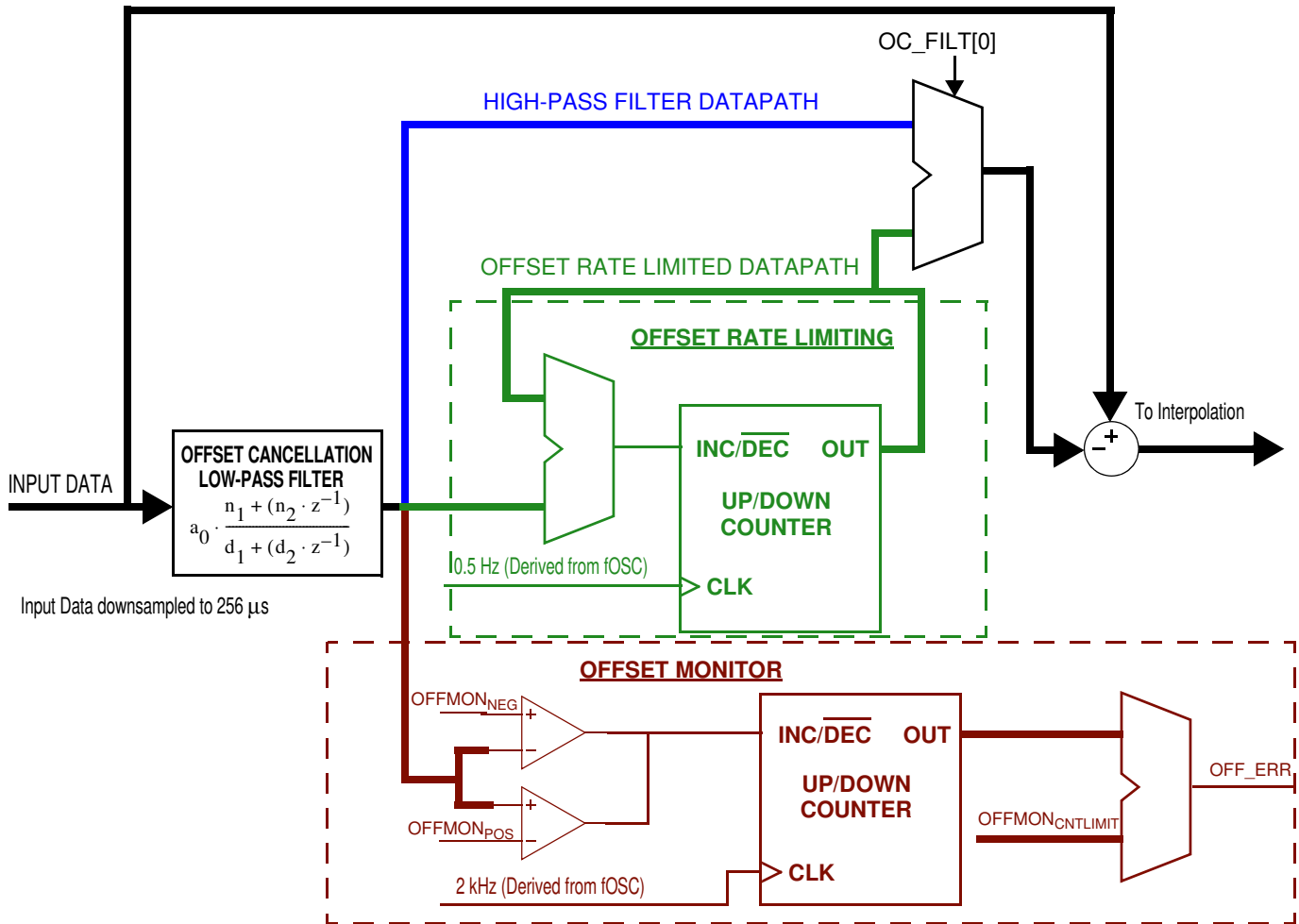


Figure 23. Offset cancellation block diagram

The transfer function for the offset LPF is:

$$H(z) = a_0 \cdot \frac{n_0 + (n_1 \cdot z^{-1})}{d_0 + (d_1 \cdot z^{-1})} \quad \text{Eqn. 6}$$

Response parameters are specified in Section 2 and the offset LPF coefficients are specified in Table 36.

During start up, two phases of the offset LPF are used to allow for fast convergence of the internal offset error during initialization. The timing for the startup phases is shown in Table 35.

The offset low-pass filter used in normal operation is selected by the OC_FILT[2:0] bits in the ACC_CFG register. Output rate limiting can be applied to the output of the offset low-pass filter. Rate limiting is also enabled by the OC_FILT[2:0] bits. If rate limiting is enabled, the offset cancellation output is updated by OFF_{Step} LSB every t_{OffRate} seconds.

The offset cancellation circuit output value is frozen when self-test is active, even if the offset cancellation circuit is in a startup phase. The timers controlling the startup phase times listed in Table 35 are not frozen. To ensure proper offset cancellation startup, prior to activating self-test, the user should verify that the offset cancellation initialization is complete by monitoring the OC_INIT bit in the DEVSTAT register.

Table 35. Offset cancellation startup characteristics and timing

Offset cancellation startup phase	Offset LPF	Output rate limiting	Total time for phase
1	10 Hz	Bypassed	80 ms
2	1.0 Hz	Bypassed	70 ms
Self-test	Offset Cancellation Updates are Suspended		User Enabled
Complete	Selected by OC_FILT[2:0]	Selected by OC_FILT[2:0]	N/A

Table 36. Offset low-pass filter coefficients

Description -3 dB frequency (±5%)	Coefficients				Latency/Group delay
10 Hz	ao ₀	0.015956938266754			15.91 ms
	no ₁	0.499998132328277	do ₁	1.0	
	no ₂	0.499998132328277	do ₂	-0.984043061733246	
1.0 Hz	ao ₀	0.00160720286658033729			159.1ms
	no ₁	0.5	do ₁	1.0	
	no ₂	0.5	do ₂	-0.99839282035827636719	
0.1 Hz	ao ₀	0.0001608133316040			1591 ms
	no ₁	0.4999999403953552	do ₁	1.0	
	no ₂	0.4999999403953552	do ₂	-0.9998391270637512	

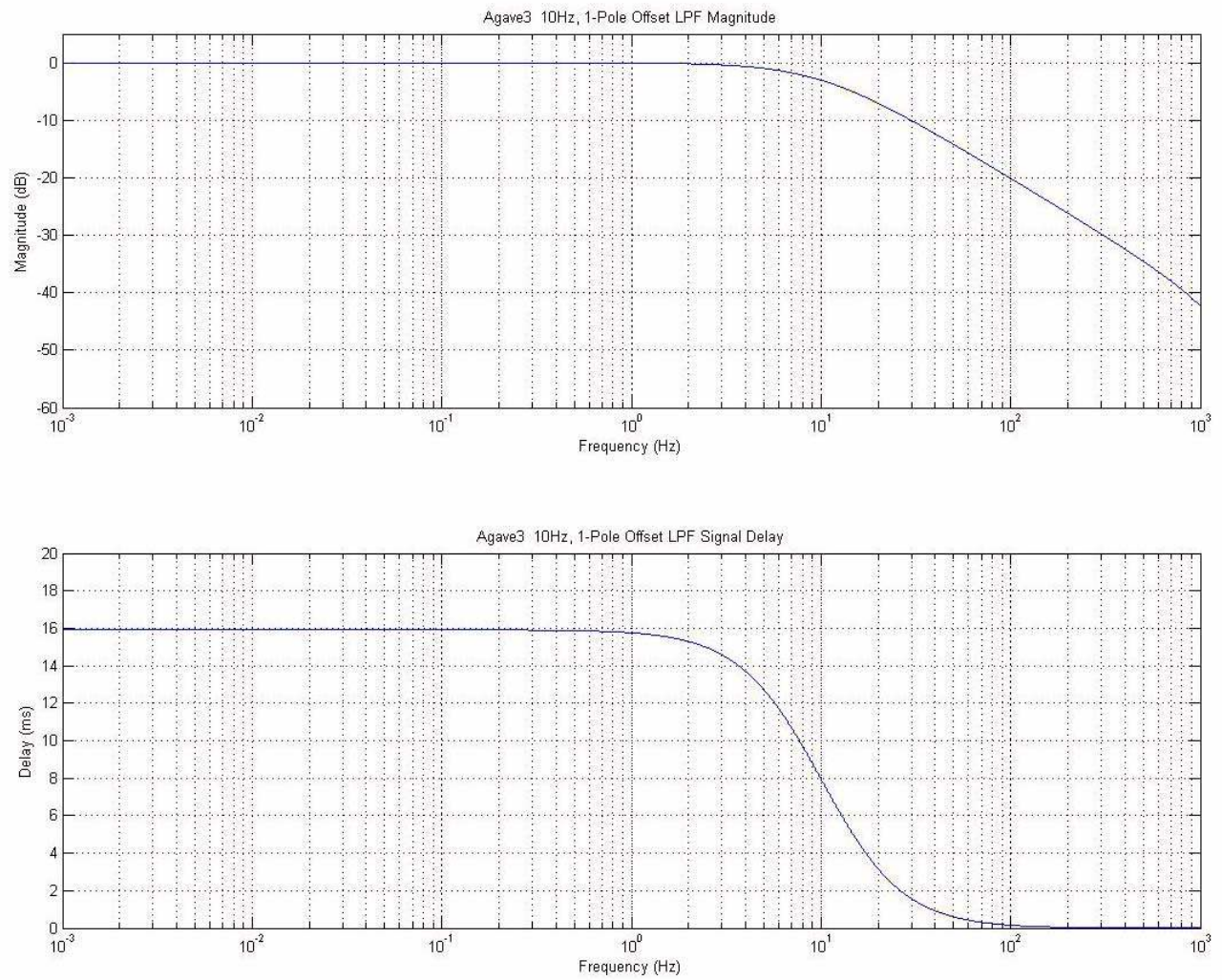


Figure 24. 10 Hz offset cancellation low-pass filter characteristics

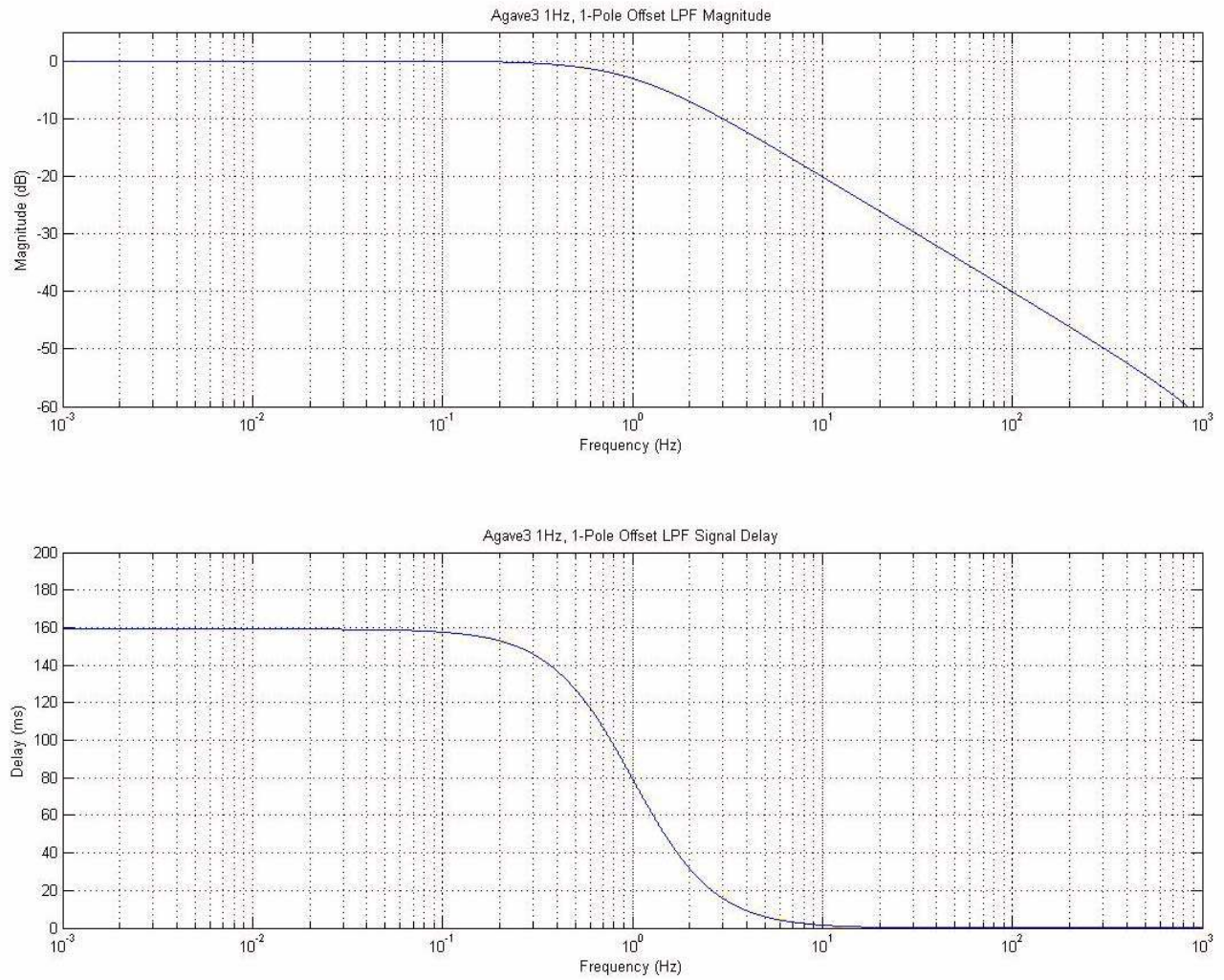


Figure 25. 1.0 Hz offset cancellation low-pass filter characteristics

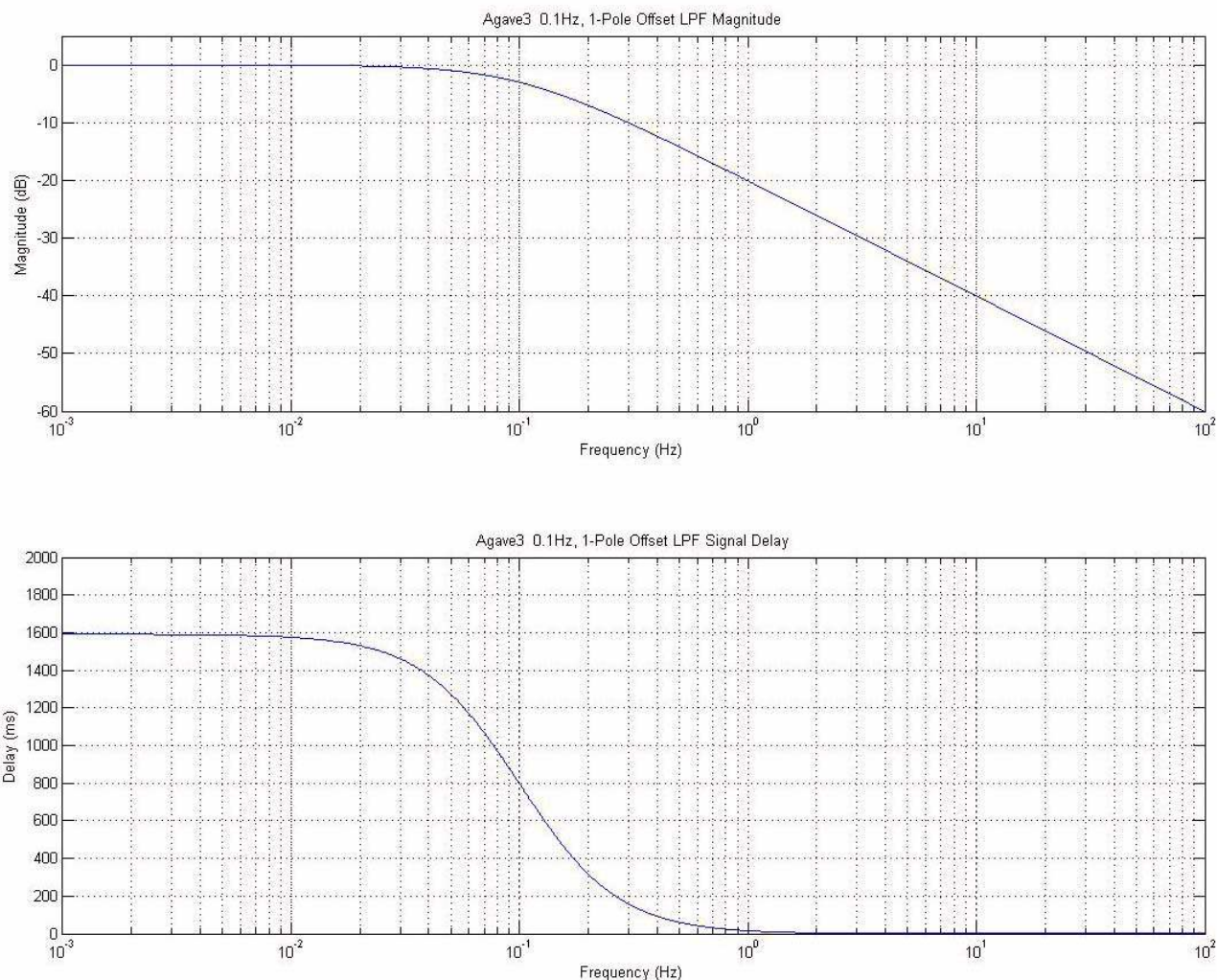


Figure 26. 0.1 Hz offset cancellation low-pass filter characteristics

3.5.4.6 Offset monitor

The device includes an offset monitor circuit. The offset monitor is enabled 2.1 seconds following reset regardless of the state of the OC_FILT bits in the ACC_CFG register. The output of the single pole, low-pass filter in the offset cancellation block is continuously monitored against the offset limits specified in Section 2.4. An up/down counter is employed to count up if the output exceeds the limits, and to count down if the output is within the limits. The output of the counter is compared against the count limit OFFMON_{CNTLIMIT}. If the counter exceeds the limit, the OFFSET_ERR bit in the ACC_STAT register and in the DEVSTAT register is set. The counter rails once the max counter value is reached (OFFMON_{CNTSIZE}).

3.5.4.7 Data interpolation

The device includes 16 to 1 linear data interpolation to minimize the system sample jitter. Each result produced by the digital signal processing chain is delayed one sample time. On detection of a Periodic Data Collection Mode command, the transmitted data is interpolated from the one previous samples, resulting in a latency of one sample time, and a maximum signal jitter of 1 μ s.

3.5.4.8 Output scaling

The 26-bit digital output from the DSP is clipped and scaled to a 10-bit, 14-bit, or 16-bit data word. The 10-bit and 14-bit data words are used for Periodic Data Collection Mode and the 16-bit range is stored in the ACC_DATAH and ACC_DATAH registers for access during Command and Response Mode.

The sensitivity of the data is the same for all ranges. If the 14-bit data length is selected, four additional bits of range are transmitted. If the ACC_DATAH and ACC_DATAH registers are accessed, six additional bits of range are available. These additional bits of range are intended for test use only and are not covered by the specifications listed in Section 2.4. Reference Table 37 for the acceleration data values for all ranges.

3.5.4.9 Output data values

Table 37. Nominal acceleration data values

16-bit data				10-bit data				Nominal acceleration (g)				
Unsigned digital value		Signed digital value		Unsigned digital value		Signed digital value		25 g range	125 g range	187 g range	250 g range	375 g range
Decimal	Hex	Decimal	Hex	Decimal	Hex	Decimal	Hex					
33280 to 65535	0x8200 to 0xFFFF	512 to 32767	0x200 to 0x7FFF	NA	NA	NA	NA	Overrange data				
33279	0x81FF	511	0x1FF	1023	0x3FF	511	0x1FF	24.9512	124.756	186.633	249.512	374.277
33278	0x81FE	510	0x1FE	1022	0x3FE	510	0x1FE	24.9023	124.512	186.267	249.023	373.544
⋮	⋮	⋮	⋮	⋮	⋮	⋮	⋮	⋮	⋮	⋮	⋮	⋮
32770	0x8002	2	0x0002	514	0x202	2	0x002	0.976563	0.488281	0.730460	0.976563	1.46488
32769	0x8001	1	0x0001	513	0x201	1	0x001	0.048828	0.244141	0.365230	0.488281	0.732440
32768	0x8000	0	0x0000	512	0x200	0	0x000	0	0	0	0	0
32767	0x7FFF	-1	0xFFFF	511	0x1FF	-1	0x3FF	-0.048828	-0.244141	-0.365230	-0.488281	-0.732440
32766	0x7FFE	-2	0xFFFE	510	0x1FE	-2	0x3FE	-0.976563	-0.488281	-0.730460	-0.976563	-1.46488
⋮	⋮	⋮	⋮	⋮	⋮	⋮	⋮	⋮	⋮	⋮	⋮	⋮
32258	0x7E02	-510	0xFE02	2	0x002	-510	0x202	-24.9023	-124.512	-186.267	-249.023	-373.544
32257	0x7E01	-511	0xFE01	1	0x001	-511	0x201	-24.9512	-124.756	-186.633	-249.512	-374.277
1 to 32256	0x0001 to 0x7E00	-32767 to -512	0x8001 to 0xFE00	NA	NA	NA	NA	Overrange Data				
0	0x0000	-32768	0x8000	0	0x000	-512	0x200	Fault				

3.5.4.10 PCM output function

The device provides the option for a PCM output function. The PCM output is enabled if the PCM bit is set in the ACC_FCTCFG register. Selecting the PCM output enables the following functions:

- The acceleration value output from the offset cancellation block is saturated to 9-bits and converted to an unsigned value.
- The 9-bit acceleration value is input into a summer clocked at 8MHz.
- The carry from the summer circuit is output to the PCM pin.

A block diagram of the PCM output is shown in [Figure 27](#).

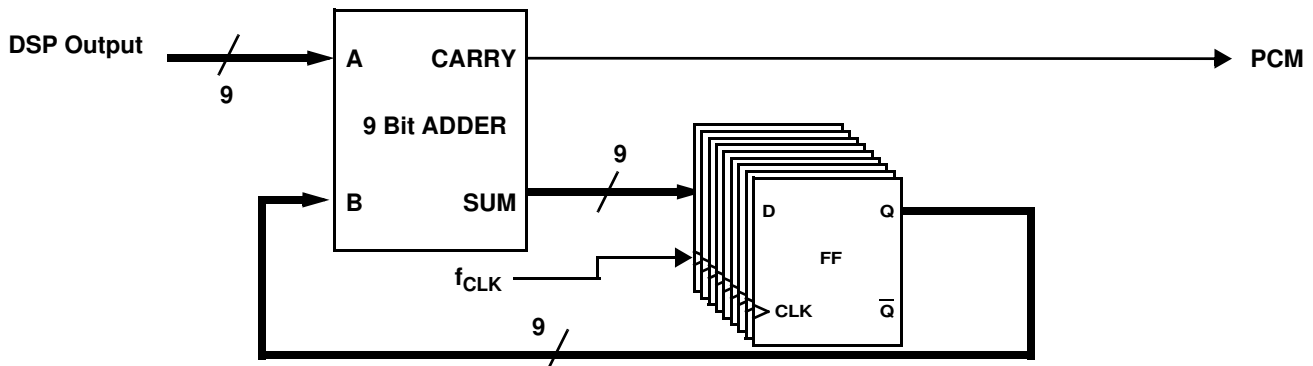


Figure 27. PCM output function block diagram

3.6 DSI3 physical layer

3.6.1 Command receiver

The command receive block converts voltage transitions on the BUS_I pin to a digital pulse train for decoding by the DSI data link layer.

The supply voltage can vary throughout the specified range, so the communication high voltage (V_{HIGH}) must be sampled and averaged with a low-pass filter. The communication low voltage is then determined by comparing the supply voltage to the sampled and averaged V_{HIGH} voltage. Figure 28 shows a block diagram of the command receiver physical layer.

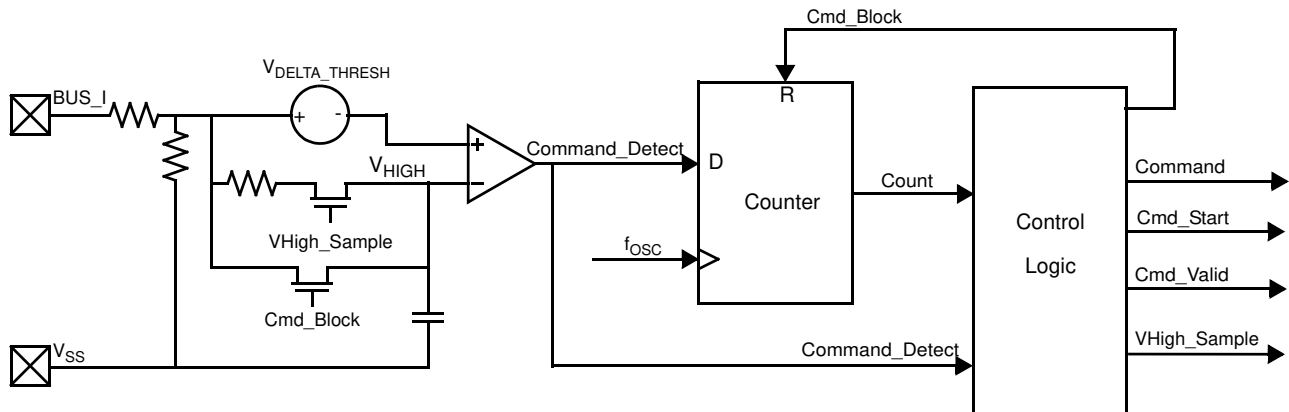


Figure 28. Command receiver physical layer

The start of a command is detected when the comparator output (Command_Detect) is low. The comparator output is input to a counter that is updated at the internal oscillator frequency. Control logic monitors the counter output and generates the following signals:

1. Cmd_Start
 - a) Asserted when the counter reaches a value of one.
 - b) Deasserted at POR, if the counter does not reach Cmd_Valid_Count (t_{Cmd_Valid}) within $t_{Cmd_BitTime}$ of Cmd_Start assertion, or at the end of the command blocking time for the operating mode ($t_{CmdBlock_DISC}$, $t_{CmdBlock_CRM}$, $t_{CmdBlock_PDCM}$, $t_{CmdBlock_BDM}$).
2. Cmd_Valid
 - a) Asserted if the counter reaches Cmd_Valid_Count within $t_{CMD_BitTime}$ of Cmd_Start assertion (t_{Cmd_Valid}).
 - b) Deasserted at POR and when Cmd_Start is deasserted.
3. VHigh_Sample
 - a) Asserted $t_{DSI_DISC_POR}$ after POR and when Cmd_Start is deasserted.
 - b) Deasserted when Cmd_Start is asserted.
4. Cmd_Block:
 - a) Asserted based on the operating mode:
 - Discovery Mode: A complete command is received as defined in Section 4.1.3 and Section 2.6.
 - Command and Response Mode: A complete command is received as defined in Section 4.2 and Section 2.6.
 - Periodic Data Collection Mode: A complete command is received as defined in Section 4.3 and Section 2.6.
 - b) Deasserted at POR and when Cmd_Start is deasserted.

Once a full command is received, based on the operating mode, the command is transferred to the DSI data link layer for decoding.

Figure 29 shows a timing diagram of the command receiver when a valid command is received, and Figure 30 shows a timing diagram of the command receiver when a microcut is received during the command window. Voltage values and timing parameters are specified in Section 2.3 and Section 2.7.

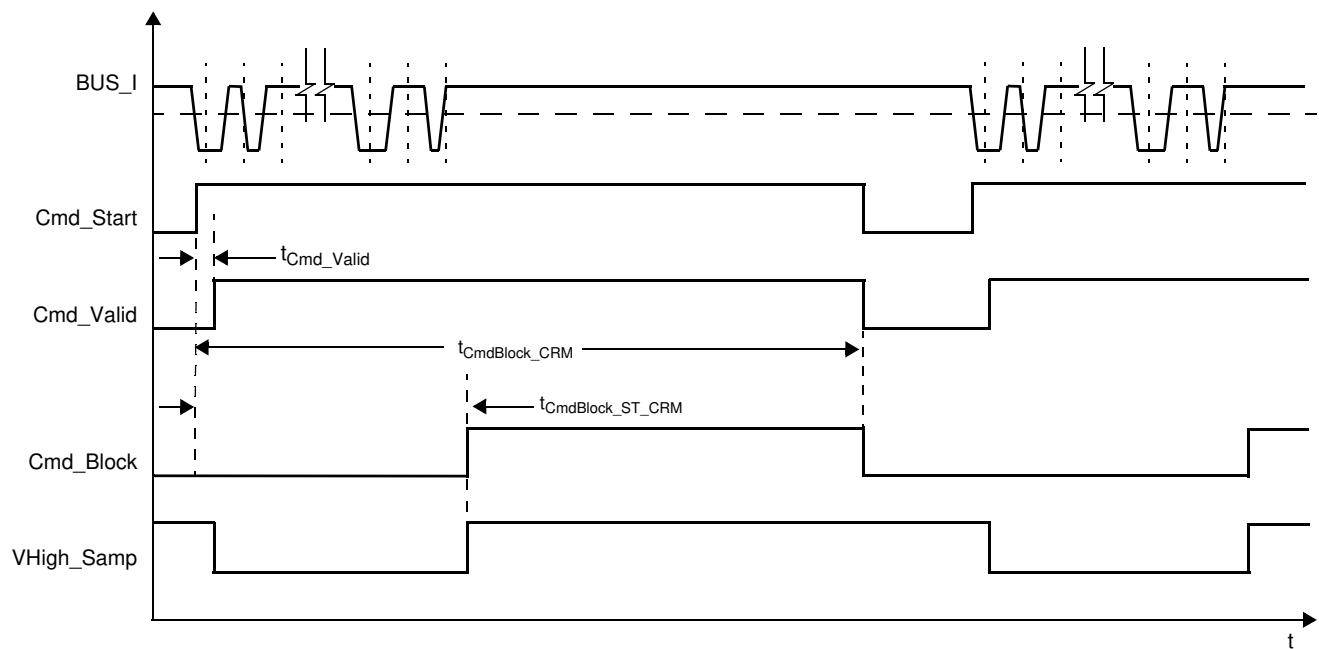


Figure 29. DSI3 Command receiver timing diagram: Valid command

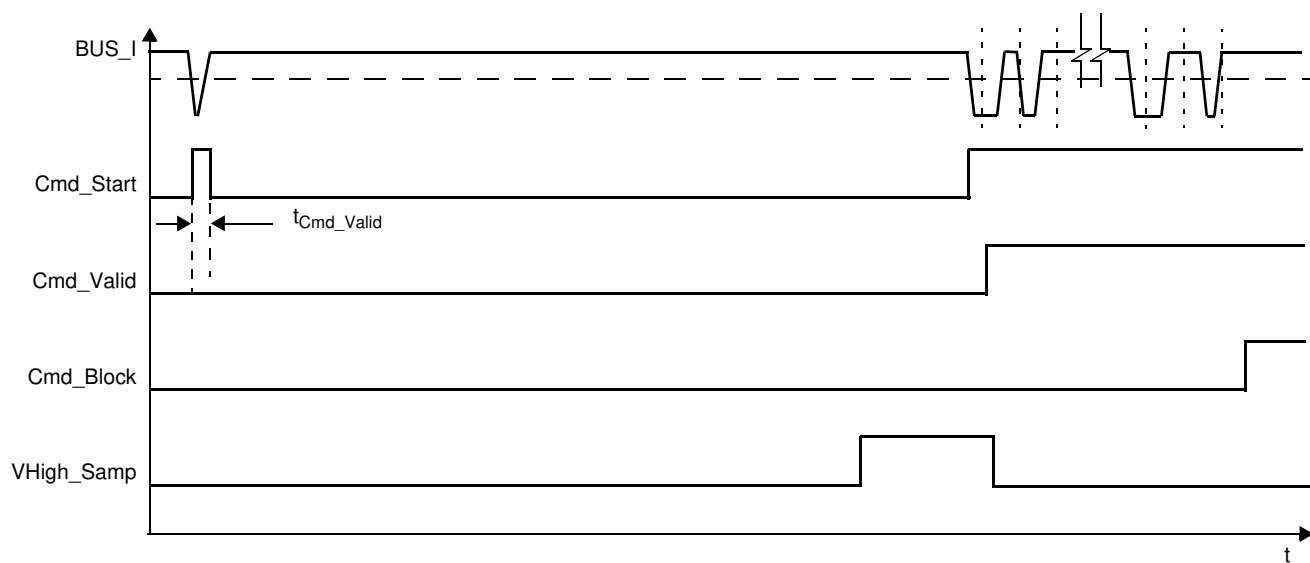


Figure 30. DSI3 Command receiver timing diagram: Microcut

3.6.2 Response transmitter

The response transmitter block converts two digital signals into two supply modulation currents. The response currents are generated such that the rise and fall times are the same whether the I_{RESP} current is being transmitted or the $2 \times I_{RESP}$ current is being transmitted. A diagram of the response transmitter is shown in Figure 29. Current values and timing parameters are specified in Section 2.3 and Section 2.7.

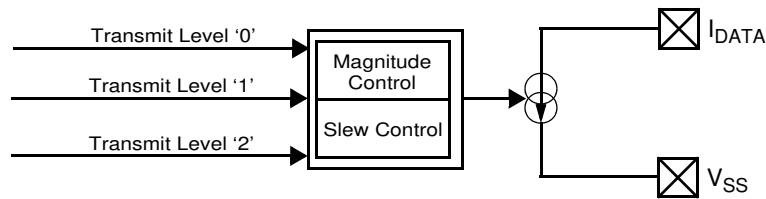


Figure 31. DS13 transmitter block diagram

3.6.3 Discovery Mode current sense

The current sense circuit is used during Discovery Mode to determine if any additional slaves are connected to the BUS_O pin of the device. A diagram of the current sense circuit is shown in Figure 32. Current values and timing parameters are specified in Section 2.3 and Section 2.7. Details regarding Discovery Mode are included in Section 4.1.3.

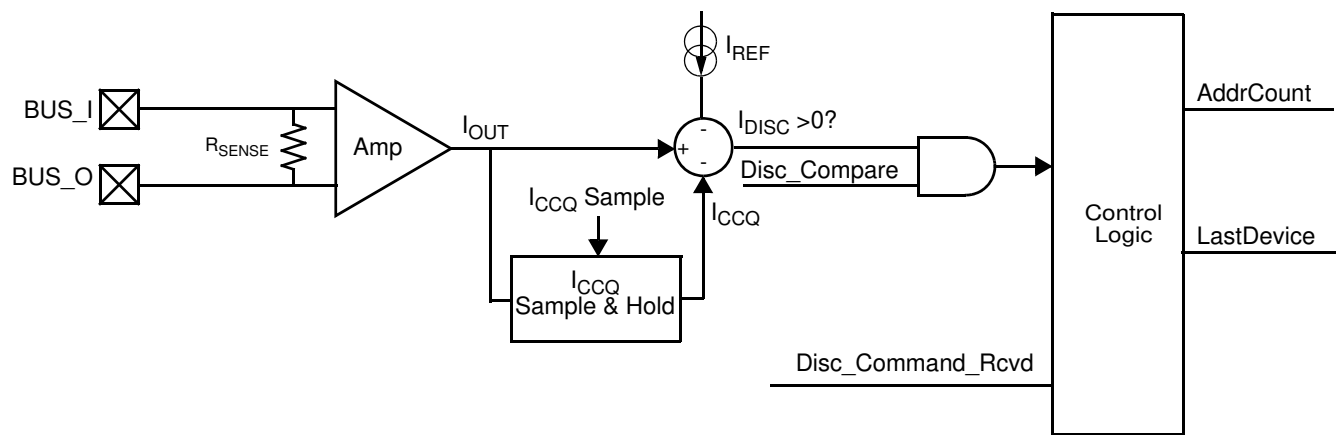


Figure 32. Discovery Mode current sense circuit block diagram

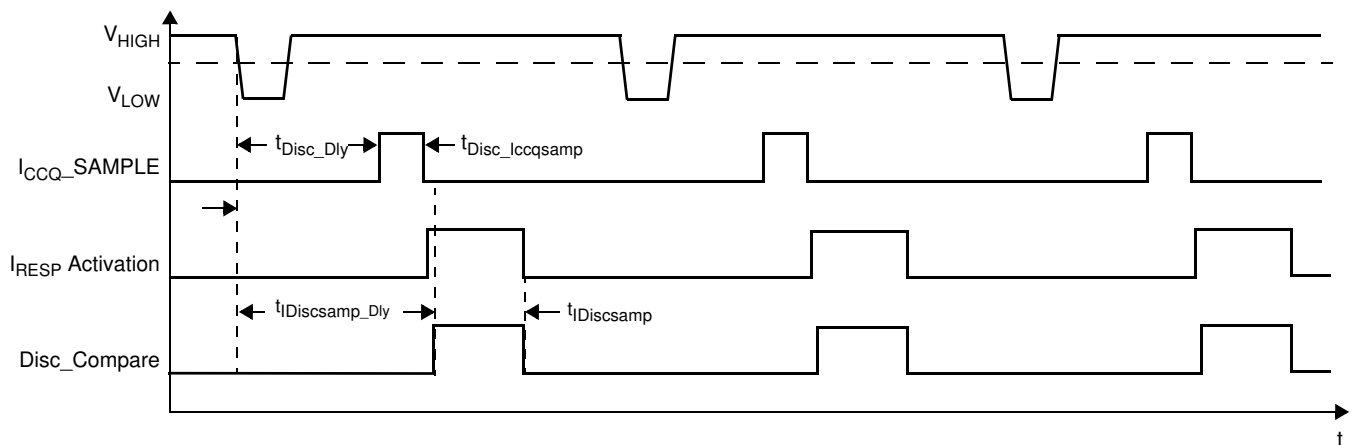


Figure 33. DS13 Discovery Mode sensing timing diagram

3.6.4 Bus-switch control

The bus-switch output pin is the driver for a high-side, daisy-chain switch. When switch connected daisy-chain mode is used, as described in [Section 4.1.2](#), the BUSSW pin is connected to the gate of an external p-channel FET which connects BUS_I to the next slave in the daisy chain. If used, an external pullup resistor is required on the gate of the p-channel FET. Reference [Figure 3 on page 5](#) for details on the recommended external circuitry.

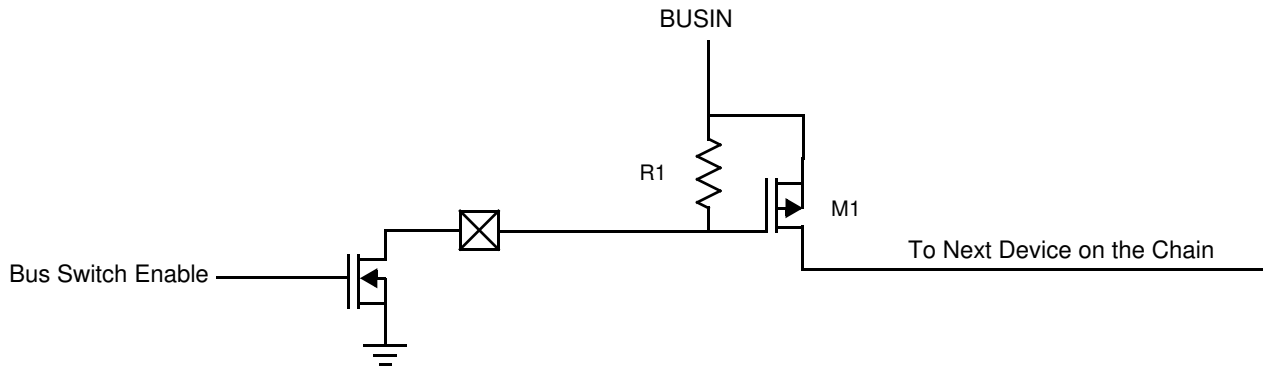


Figure 34. Daisy-chain bus switch driver block diagram

3.7 Data transmission modes

3.7.1 Simultaneous Sampling mode

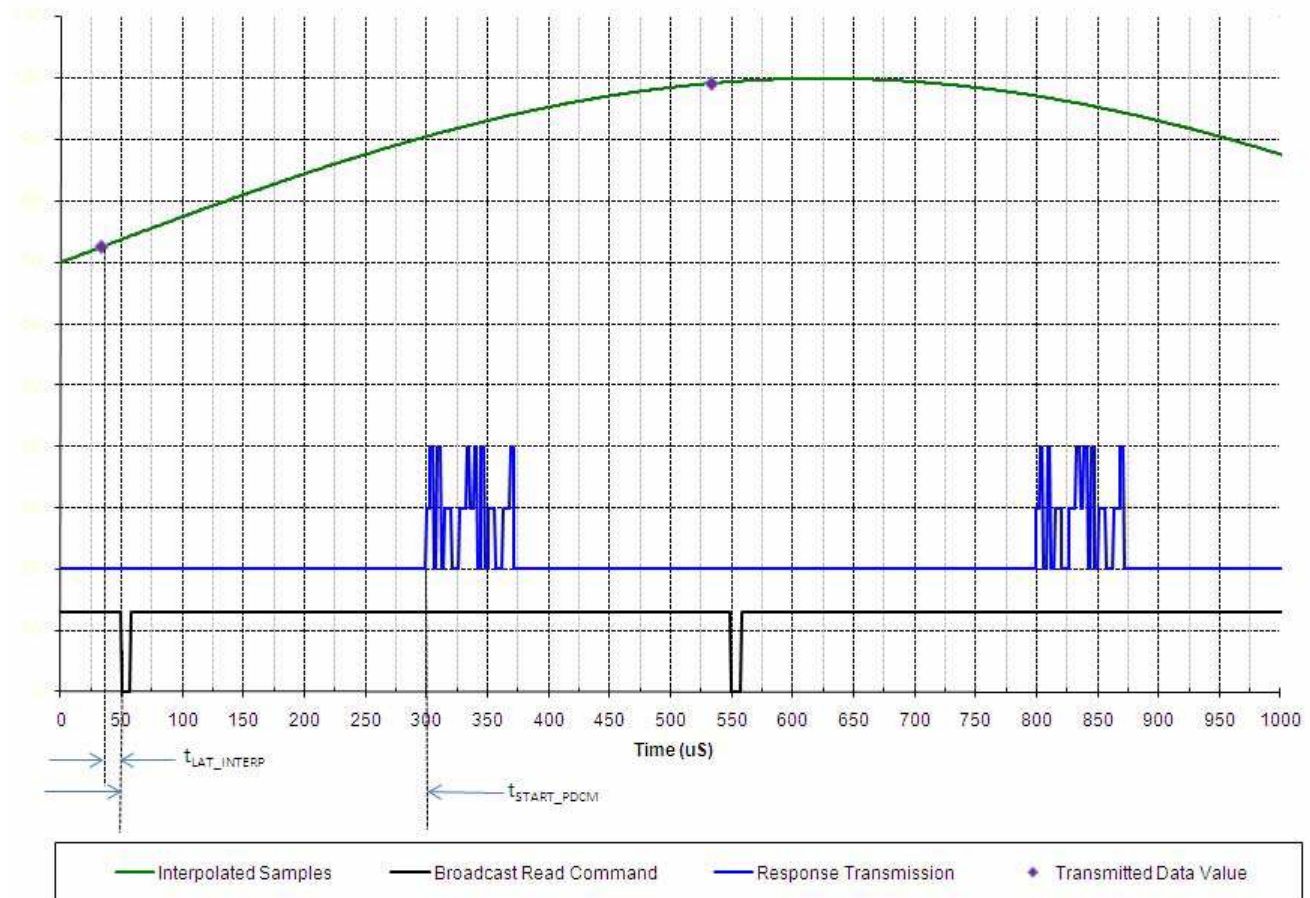


Figure 35. Simultaneous Sampling mode

3.7.2 Synchronous Sampling mode with minimum latency

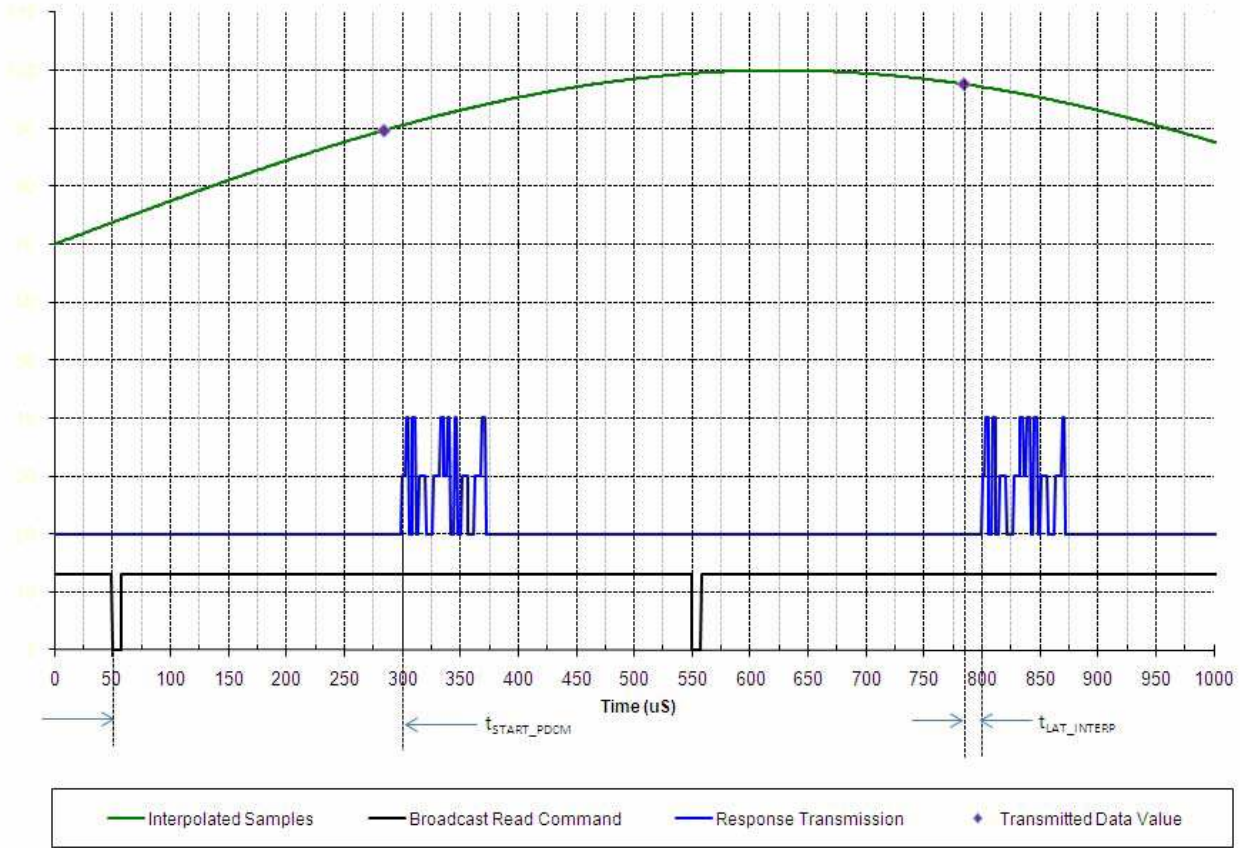


Figure 36. Synchronous sampling mode with minimum latency

3.8 Initialization timing

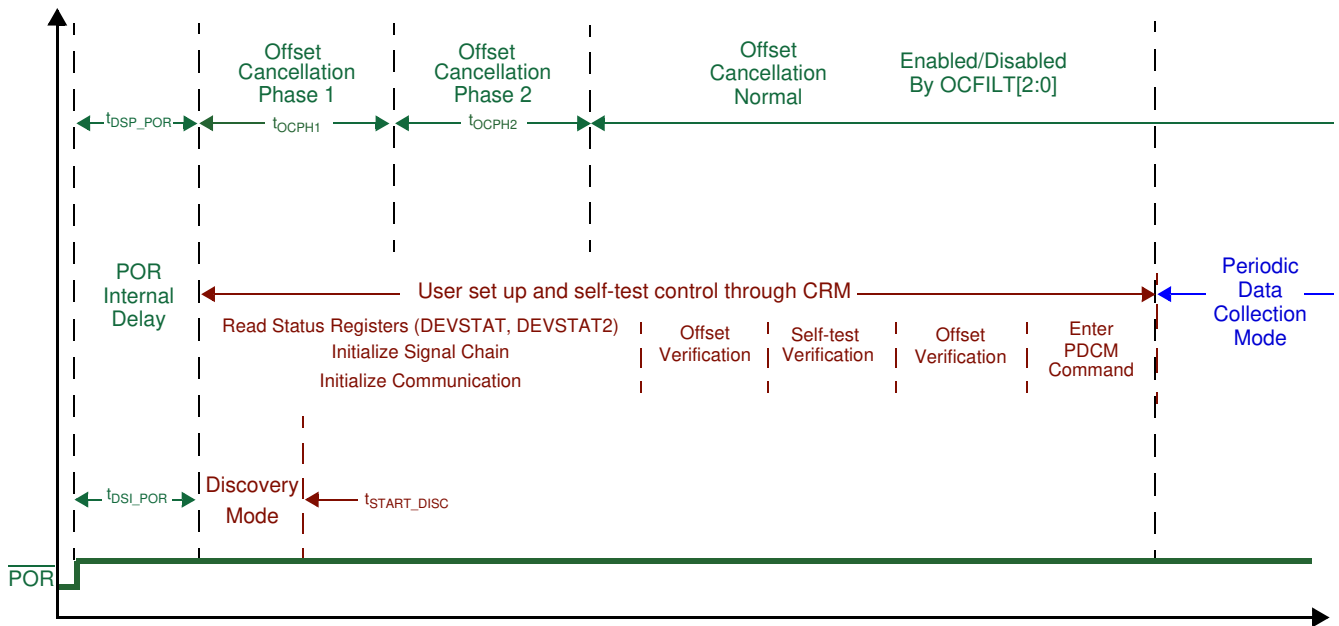


Figure 37. Initialization timing

3.9 Overload response

3.9.1 Overload performance

The device is designed to operate within a specified range. Acceleration beyond that range (overload) impacts the output of the sensor. Acceleration beyond the range of the device can generate a DC shift at the output of the device that is dependent upon the overload frequency and amplitude. The g-cell is overdamped, providing the optimal design for overload performance. However, the performance of the device during an overload condition is affected by many other parameters, including:

- g-cell damping
- Non-linearity
- Clipping limits
- Symmetry

Figure 38 shows the g-cell, ADC and output clipping of the device over frequency. The relevant parameters are specified in Section 2.

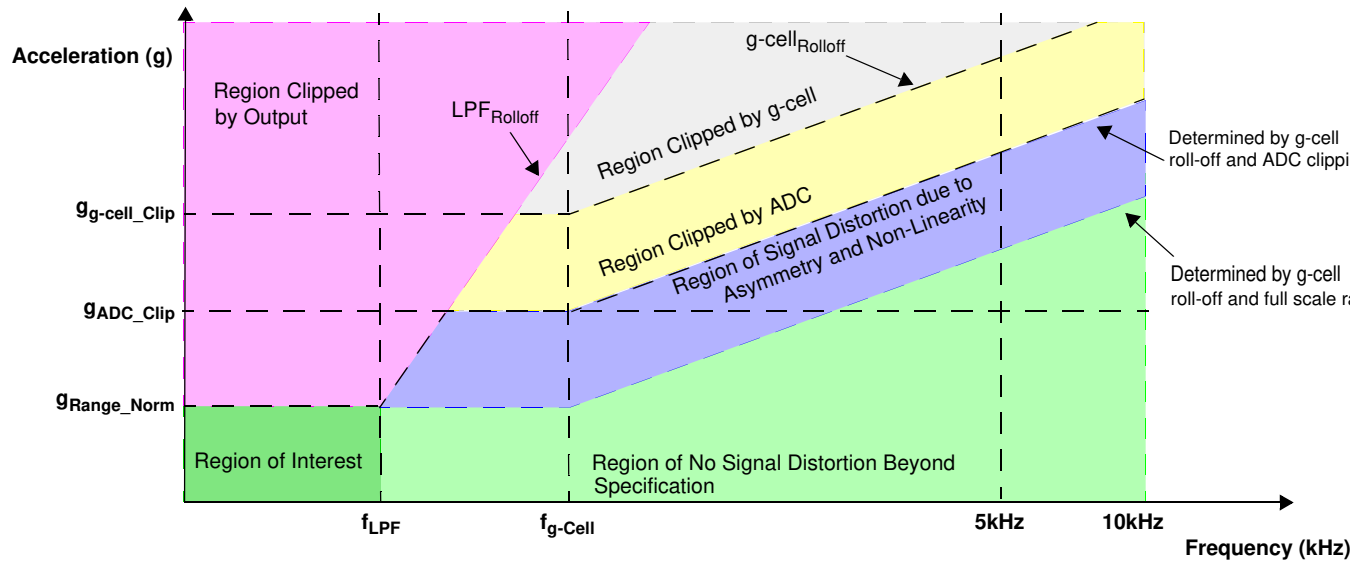


Figure 38. Output clipping vs. frequency

3.9.2 Sigma Delta modulator overrange response

Overrange conditions exist when the signal level is beyond the full-scale range of the device but within the computational limits of the DSP. The $\Sigma\Delta$ converter can saturate at levels above those specified in Section 2 (G_{ADC_CLIP}). The DSP operates predictably under all cases of overrange, although the signal may include residual high-frequency components for some time after returning to the normal range of operation due to non-linear effects of the sensor.

4 DSI3 Protocol

The DSI3 standard describes two function classes: Signal Function Class and Power Function Class. This device is a slave conforming to the Signal Function Class requirements. The device does not support Power Function Class. The following sections describe the DSI3 Signal Function Class features supported by the device.

4.1 Address assignment

The device supports all three address assignment methods described in the DSI3 standard as described below.

4.1.1 Address assignment method for parallel connected slaves

Devices connected in parallel must have preprogrammed addresses by storing a non-zero value into the PADDR[3:0] bits of the PHYSADDR NVM register. If a non-zero value is stored in this NVM register, The device does not participate in any other address assignment method and waits for Command and Response Mode for further configuration. Reference [Section 4.2](#) for details regarding Command and Response Mode.

4.1.2 Address assignment method for bus switch connected daisy-chain devices

A device connected in daisy chain by a bus switch may have either a preprogrammed address as described in [Section 4.1.1](#), or an un-programmed address.

If the address is preprogrammed, the device does not participate in any other address assignment method and waits for Command and Response Mode for further configuration information, including activating the bus switch to connect the next device on the bus. Reference [Section 4.2](#) for details regarding Command and Response Mode.

If the address is un-programmed, once power is applied, the device is the only device on the segment which requires an address assignment. The device will accept a Command and Response Mode register write command addressed to Address \$0 (global command), which writes the PADDR[3:0] bits to a non-zero value. Once a physical address is assigned to the device, Command and Response Mode is used with the assigned physical address for further configuration. This includes closing the bus switch to connect the next device and/or bus segment to the master.

On power up, the device bus switch output defaults to de-activated.

4.1.3 DSI3 Discovery Mode: Address assignment method for resistor connected daisy-chain devices

A device connected via in daisy chain via a resistor has an un-programmed address and uses Discovery Mode to obtain it's physical address (PADDR[3:0]).

The Master device must initiate Discovery Mode automatically after power is applied to the bus segment by sending a sequence of Discovery commands. The Discovery Command is shown in [Figure 39](#) and the timing is defined in [Section 2.6](#). The device will detect a Discovery Command t_{START_DISC} after a power on reset and for intervals of t_{PER_DISC} until Discovery Mode has ended (the maximum value of t_{START_DISC}).

The Discovery Mode follows the sequence listed below. [Figure 39](#) shows a timing diagram of the Discover Protocol for a four device segment.

1. The master powers up the bus segment to a known state.
2. The master transmits the Discovery Command.
3. After a predetermined delay ($t_{START_DISC_RSP}$), all devices without a physical address activate a current ramp to the 2x response current at a ramp rate of i_{DISC_RAMP} .
4. Each device monitors the current through its sense resistor (Δi_{SENSE}).
 - a) If the current is above i_{RESP} , the device disables its response current, increments its physical address counter and waits for the next Discovery Command.
 - b) If the current is low (Δi_{SENSE} less than i_{RESP}), the device continues to ramp its response current to $2 * i_{RESP}$ in time $t_{DISC_RAMP_RSP}$ and maintains the current at $2 * i_{RESP}$ for time $t_{DISC_IDLE_RSP}$.
 - c) After time $t_{DISC_IDLE_RSP}$ if a device has not detected a current through its current sense resistor of i_{RESP} , the device accepts physical address '1' and disables its response current.
5. After a predefined period (t_{PER_DISC}), the master transmits another Discovery Command.
6. Steps 3 and 4 are repeated, with the device accepting the address in its address assignment counter if the sense current is low.
7. The master repeats step 5 until it has transmitted Discovery Commands for all the devices it expects on the bus.
8. Device initialization can now begin using Command and Response Mode.

Once the Discovery Mode is complete, a physical address is assigned to the device, and Command and Response Mode is used with the assigned physical address for further configuration.

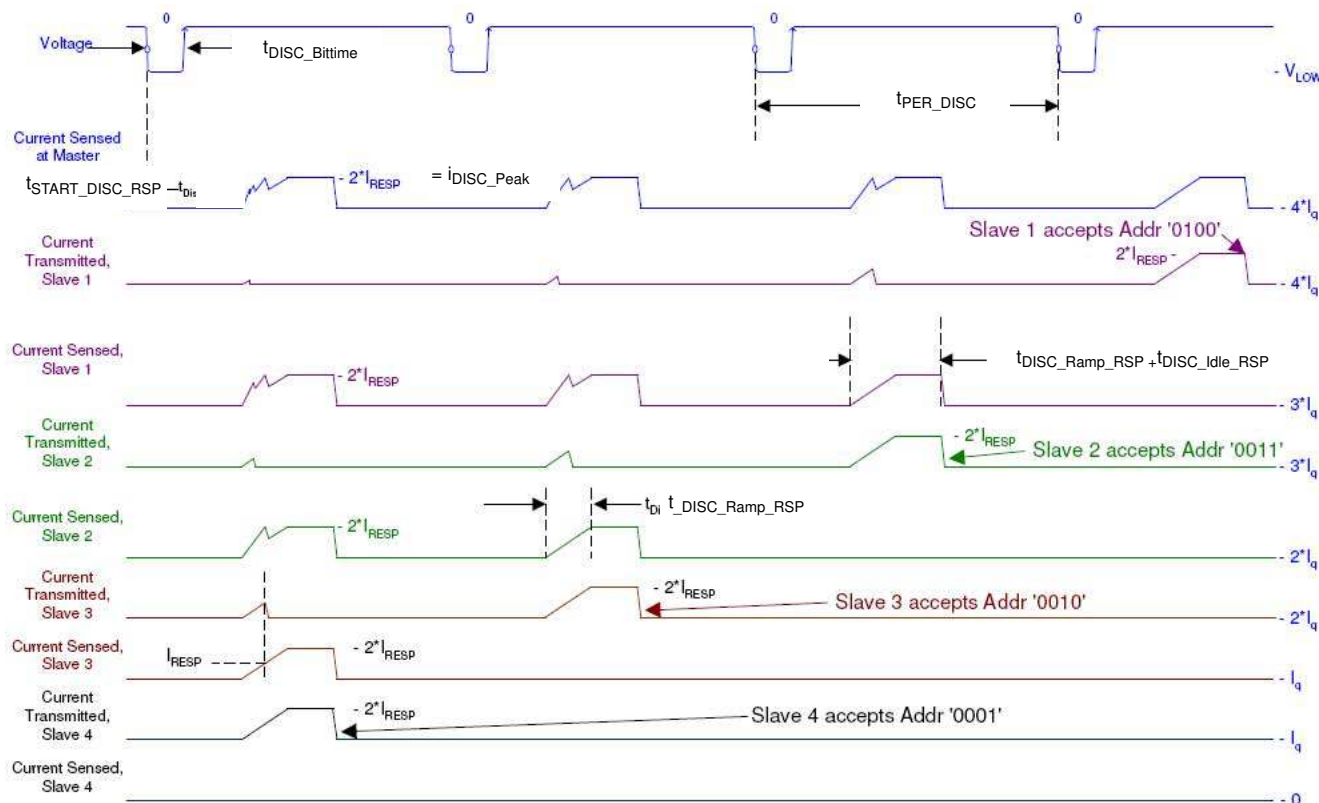


Figure 39. DSI3 Discovery Mode timing diagram

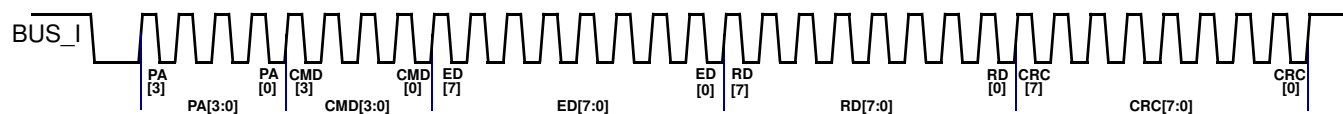
4.2 DSI3 Command and Response Mode

DSI3 Command and Response Mode is the main communication method used for initialization of the device.

4.2.1 DSI3 Command and Response Mode Command reception

Command and Response Mode data packets are exchanged between a single master and a single slave. The primary purpose of command and response transactions are to read from and write to registers within the device memory.

An example Command and Response Mode Command is shown in Figure 40. The command consists of 32 bits of data broken up into multiple fields as described in Section 4.2.1.2.



Physical Address				Command				Extended Data								Register Data								Error Checking							
PA3	PA2	PA1	PA0	C3	C2	C1	C0	D15	D14	D13	D12	D11	D10	D9	D8	D7	D6	D5	D4	D3	D2	D1	D0	E7	E6	E5	E4	E3	E2	E1	E0
0	0	0	1	1	0	0	0	1	0	1	0	1	0	1	0	0	0	1	0	1	1	0	0	0	0	1	1	0	1	1	0

Figure 40. Command and Response Mode example command

4.2.1.1 Bit encoding

Figure 41 shows the bit encoding used for Command and Response Mode commands from the master device.

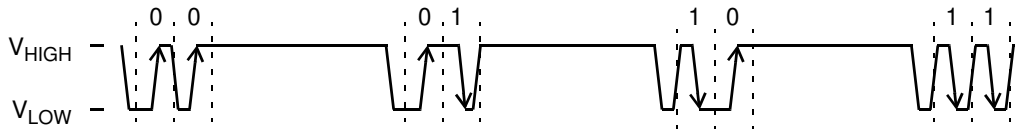


Figure 41. Command and Response Mode Command bit encoding

4.2.1.2 Command message format

The Command and Response Mode Command format is shown in Table 38.

Table 38. Command and Response Mode - Command Format

Physical address	Command	Extended Data	Register Data	CRC
PA[3:0]	CMD[3:0]	ED[7:0]	RD[7:0]	CRC[7:0]

Table 39. Command and Response Mode - Field Definitions

Field	Length (bits)	Definition
PA[3:0]	4	Physical Address Must match the value in the PADDR[3:0] of the PHYSADDR register
CMD[3:0]	4	Command (reference Section 4.2.4)
ED[7:0]	8	Extended Data (reference Section 4.2.4)
RD[7:0]	8	Register Data (reference Section 4.2.4)
CRC[7:0]	8	Error Checking (reference Section 4.2.1.3)

4.2.1.3 Error checking

The device calculates a 8-bit CRC on the entire 32-bits of each command. Data is entered into the CRC calculator MSB first, consistent with the transmission order of the message.

The CRC decoding procedure is:

1. A seed value is preset into the least significant bits of the shift register.
2. Using a serial CRC calculation method, the receiver rotates the received message and CRC into the least significant bits of the shift register in the order received (MSB first).
3. When the calculation on the last bit of the CRC is rotated into the shift register, the shift register contains the CRC check result.
4. If the shift register contains all zeros, the CRC is correct.
5. If the shift register contains a value other than zero, the CRC is incorrect.

The CRC polynomial is specified in the C_CRMCRPLY register. The CRC default polynomial and Seed for Command and Response Mode are shown in [Table 40](#).

Table 40. Command and Response Mode Command CRC

Mode	Default Polynomial	Seed
Command and Response Mode	$x^8 + x^5 + x^3 + x^2 + x + 1$	1111 1111

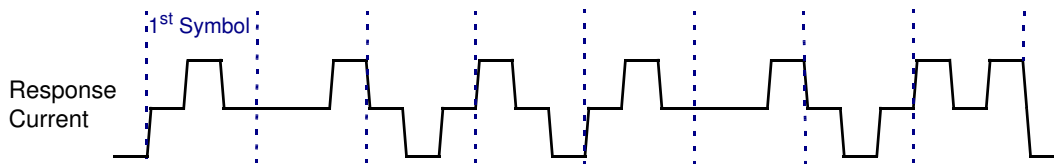
Some example CRC calculations are shown in [Table 41](#).

Table 41. Command and Response Mode - CRC Calculation Examples

Physical Address	Command	Extended Data	Register Data	8 Bit CRC
0x01	0x08	0x11	0x86	0xB0
0x02	0x01	0x25	0xFF	0x38
0x03	0x0F	0x1A	0x41	0x2C
0x04	0x01	0x01	0x01	0xD4

4.2.2 DSI3 Command and Response Mode Response Transmission

An example Command and Response Mode Response is shown in [Figure 42](#). The response consists of 32 bits of data broken up into multiple fields as described in [Section 4.2.2.2](#).



Physical Address				Command				Extended Data								Register Data								Error Checking							
PA3	PA2	PA1	PA0	C3	C2	C1	C0	D15	D14	D13	D12	D11	D10	D9	D8	D7	D6	D5	D4	D3	D2	D1	D0	E7	E6	E5	E4	E3	E2	E1	E0
0	0	0	1	1	0	0	0	1	0	1	0	1	0	1	0	0	0	1	0	1	1	0	0	0	0	1	1	0	1	1	0

Figure 42. Command and Response Mode Response example

4.2.2.1 Symbol Encoding

The device response to a Command and Response Mode Command uses multi-level source coding where data nibbles are first encoded into symbols and then the symbols are encoded into current levels. The symbols are assembled from three consecutive three-level current pulses called chips. Within a symbol there are three consecutive chips that can assume one of three discrete current levels: i_q , $i_q + i_{RESP}$, and $i_q + 2 \times i_{RESP}$. Figure 43 shows the chip transmissions and an example of a three symbol (nine chip), 12-bit data packet.

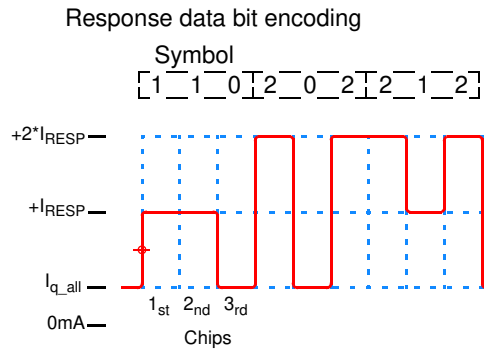


Figure 43. Response symbol encoding

Of the 27 possible combinations for three consecutive tri-level chips, the combinations that begin with the null current level (i_q) are discarded. Of the remaining 18 symbols, the two symbols that contain the same value for all three chips are also discarded. The remaining 16 symbols all begin with a non-null current level and have at least one transition. These characteristics guarantee that any response packet has a transition at the beginning of a packet and at least one transition in every symbol. Each 3-chip symbol encodes the information of 4-bits. Table 42 shows the symbol encoding used by the device.

Table 42. Symbol mapping

Encoded Data (4 Bits)		Symbol Transmitted		
Binary	HEX	1st Chip	2nd Chip	3rd Chip
0000	0	1	1	0
0001	1	2	1	1
0010	2	1	0	2
0011	3	2	0	2
0100	4	1	0	0
0101	5	2	1	2
0110	6	1	1	2
0111	7	2	0	1
1000	8	2	2	0
1001	9	2	1	0
1010	A	1	2	2
1011	B	2	2	1
1100	C	1	2	0
1101	D	2	0	0
1110	E	1	0	1
1111	F	1	2	1

where:
 0 = i_q
 1 = i_{RESP}
 2 = $2 \times i_{RESP}$

4.2.2.2 Response Message Format

The Command and Response Mode response format is shown in [Table 43](#).

Table 43. Command and Response Mode response format

Physical Address	Command	Register + 1 Data	Register Data	CRC
PA[3:0]	CMD[3:0]	RD1[7:0]	RD[7:0]	CRC[7:0]

Table 44. Command and Response Mode field definitions

Field	Length (Bits)	Definition
PA[3:0]	4	Physical Address Matches the value in the PADDR[3:0] of the PHYSADDR register
CMD[3:0]	4	An echo of the received command
ED[7:0]	8	The data contained in the register addressed by RA[7:0] +1 (reference Section 4.2.4)
RD[7:0]	8	The data contained in the register addressed by RA[7:0] (reference Section 4.2.4)
CRC[7:0]	8	Error Checking (reference Section 4.2.2.3)

4.2.2.3 Error Checking

The device calculates a CRC on the entire 32-bits of each response. Data is entered into the CRC calculator MSB first, consistent with the transmission order of the message.

The CRC Encoding procedure is:

1. A seed value is preset into the least significant bits of the shift register.
2. Using a serial CRC calculation method, the transmitter rotates the transmitted message into the least significant bits of the shift register, MSB first.
3. Following the transmitted message, the transmitter feeds eight zeros into the shift register, to match the length of the CRC.
4. When the last zero is fed into the input adder, the shift register contains the CRC.
5. The CRC is transmitted.

The CRC polynomial is specified in the R_CRMCRCPLY register. The CRC default polynomial and Seed for Command and Response Mode are shown in [Table 45](#).

Table 45. Command and Response Mode Response CRC

Mode	Default Polynomial	Seed
Command and Response Mode	$x^8 + x^5 + x^3 + x^2 + x + 1$	1111 1111

Some example CRC calculations are shown in [Table 41](#).

4.2.3 DSI3 Command and Response Mode timing

A timing diagram for Command and Response Mode is shown in Figure 44. Timing parameters are specified in Section 2.7.

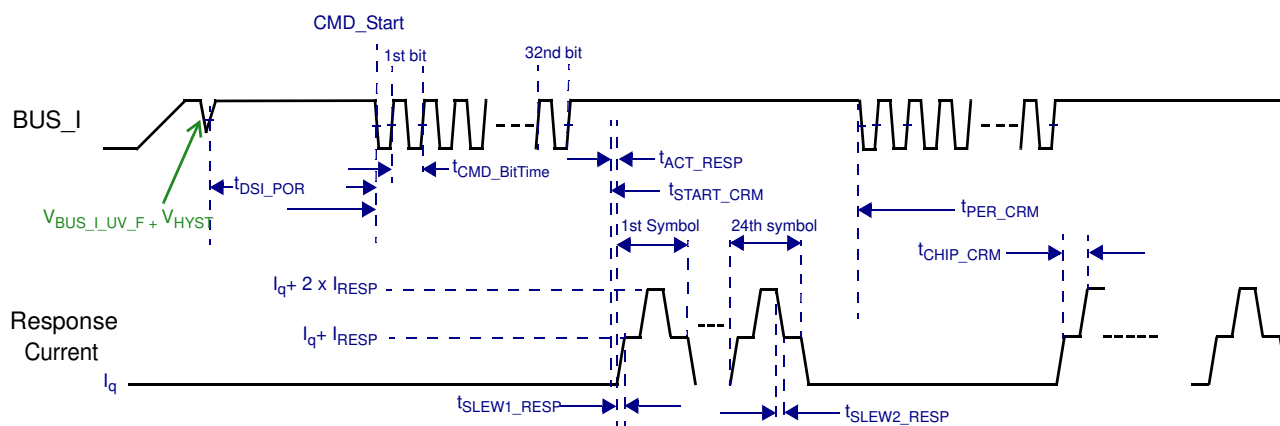


Figure 44. Command and Response Mode timing diagram

4.2.4 DSI3 Command and Response Mode command summary

Table 46. DSI bus command summary

Command						Data															
C3	C2	C1	C0	Hex	Description	D15	D14	D13	D12	D11	D10	D9	D8	D7	D6	D5	D4	D3	D2	D1	D0
0	0	0	0	\$0	Register Read	RA[7]	RA[6]	RA[5]	RA[4]	RA[3]	RA[2]	RA[1]	RA[0]	0	0	0	0	0	0	0	0
0	0	0	1	\$1	Not Implemented	N/A															
0	0	1	0	\$2	Not Implemented	N/A															
0	0	1	1	\$3	Not Implemented	N/A															
0	1	0	0	\$4	Not Implemented	N/A															
0	1	0	1	\$5	Not Implemented	N/A															
0	1	1	0	\$6	Not Implemented	N/A															
0	1	1	1	\$7	Not Implemented	N/A															
1	0	0	0	\$8	Register Write	RA[7]	RA[6]	RA[5]	RA[4]	RA[3]	RA[2]	RA[1]	RA[0]	RD[7]	RD[6]	RD[5]	RD[4]	RD[3]	RD[2]	RD[1]	RD[0]
1	0	0	1	\$9	Not Implemented	N/A															
1	0	1	0	\$A	Not Implemented	N/A															
1	0	1	1	\$B	Enter PDCM	0	0	0	0	0	0	0	0	0	0	0	0	0	0	0	0
1	1	0	0	\$C	Not Implemented	N/A															
1	1	0	1	\$D	Not Implemented	N/A															
1	1	1	0	\$E	Not Implemented	N/A															
1	1	1	1	\$F	Not Implemented	N/A															

4.2.4.1 Register Read Command

The device supports the Register Read Command as a device address specific command only. If the PA[3:0] field in the command matches the value in the PADDR[3:0] bits of the PHYSADDR register, the device responds to the command.

The device ignores the Register Read Command if the command is sent to any other physical address, including the DSI Global Device Address of '0000'.

The Register Read Command uses the byte address definitions shown in Table 4. Readable registers along with their Byte addresses are shown in Table 4. If an attempt is made to read a register that is not readable, the device will respond with all zero data.

Table 47. Register Read Command

Address				Command				Data																CRC
PA3	PA2	PA1	PA0	C3	C2	C1	C0	D15	D14	D13	D12	D11	D10	D9	D8	D7	D6	D5	D4	D3	D2	D1	D0	
PA[3]	PA[2]	PA[1]	PA[0]	0	0	0	0	RA[7]	RA[6]	RA[5]	RA[4]	RA[3]	RA[2]	RA[1]	RA[0]	0	0	0	0	0	0	0	0	8 bits

Table 48. Register Read Command bit definitions

Bit Field	Definition
PA[3:0]	DSI physical address. This field contains the physical address. This field must match the PADDR[3:0] bits in the PHYSADDR register. Otherwise, the command is ignored.
C[3:0]	Register Read Command = '0000'
RA[7:0]	RA[7:0] contains the byte address of the register to be read.

Table 49. Response - Register Read Command

Address				Command				Data																CRC
PA3	PA2	PA1	PA0	C3	C2	C1	C0	D15	D14	D13	D12	D11	D10	D9	D8	D7	D6	D5	D4	D3	D2	D1	D0	
PA[3]	PA[2]	PA[1]	PA[0]	0	0	0	0	RD[15]	RD[14]	RD[13]	RD[12]	RD[11]	RD[10]	RD[9]	RD[8]	RD[7]	RD[6]	RD[5]	RD[4]	RD[3]	RD[2]	RD[1]	RD[0]	8 bits

Table 50. Register Read Response Bit Definitions

Bit Field	Definition
PA[3:0]	DSI physical address. This field contains the PADDR[3:0] bits in the PHYSADDR register.
C[3:0]	Register Read Command = '0000'
RD[15:8]	The data contained in the register addressed by RA[7:0] +1
RD[7:0]	The data contained in the register addressed by RA[7:0]

4.2.4.2 Register Write Command

The device supports the Register Write Command as a device address specific command. If the PA[3:0] field in the command matches the value in the PADDR[3:0] bits of the PHYSADDR register, the device will execute the register write and respond to the command.

The device ignores the Register Write Command if the command is sent to any other physical address, including the DSI Global Device Address of '0000', with one exception as explained in [Section 4.2.4.3](#).

The Register Write Command uses the byte address definitions shown in [Table 4](#). Writable registers along with their Byte addresses are shown in [Table 4](#). If an attempt is made to write to a register that is not writable, the device will respond with all zero data.

Table 51. Register Write Command

Address				Command				Data																CRC
PA3	PA2	PA1	PA0	C3	C2	C1	C0	D15	D14	D13	D12	D11	D10	D9	D8	D7	D6	D5	D4	D3	D2	D1	D0	
PA[3]	PA[2]	PA[1]	PA[0]	1	0	0	0	RA[7]	RA[6]	RA[5]	RA[4]	RA[3]	RA[2]	RA[1]	RA[0]	RD[7]	RD[6]	RD[5]	RD[4]	RD[3]	RD[2]	RD[1]	RD[0]	8 bits

Table 52. Register Write Command bit definitions

Bit Field	Definition
PA[3:0]	DSI physical address. This field contains the physical address. This field must match the PADDR[3:0] bits in the PHYSADDR register. Otherwise, the command is ignored.
C[3:0]	Register Write Command = '1000'
RA[7:0]	RA[7:0] contains the byte address of the register to be read.
RD[7:0]	RD[7:0] contains the data to be written to the register addressed by RA[7:0].

Table 53. Response - Register Write Command

Address				Command				Data																CRC
PA3	PA2	PA1	PA0	C3	C2	C1	C0	D15	D14	D13	D12	D11	D10	D9	D8	D7	D6	D5	D4	D3	D2	D1	D0	
PA[3]	PA[2]	PA[1]	PA[0]	1	0	0	0	RD[15]	RD[14]	RD[13]	RD[12]	RD[11]	RD[10]	RD[9]	RD[8]	RD[7]	RD[6]	RD[5]	RD[4]	RD[3]	RD[2]	RD[1]	RD[0]	8 bits

Table 54. Register Write Response bit definitions

Bit Field	Definition
PA[3:0]	DSI physical address. This field contains the PADDR[3:0] bits in the PHYSADDR register.
C[3:0]	Register Write Command = '1000'
RD[15:8]	The data contained in the register addressed by RA[7:0] +1
RD[7:0]	The data contained in the register addressed by RA[7:0] (after the register write is executed)

4.2.4.3 Global Register Write Command to the PHYSADDR register

The device supports the Register Write Command as a global address under the following conditions:

1. The Register Write Command is written to the PHYSADDR register (\$11).
2. The PADDR[3:0] bits of the PHYSADDR register are equal to '0000' prior to the register write being executed.

If these conditions are met, the device will execute the register write and respond to the command.

Table 55. Global Register Write Command to the PHYSADDR register

Address				Command				Data																CRC	
PA3	PA2	PA1	PA0	C3	C2	C1	C0	D15	D14	D13	D12	D11	D10	D9	D8	D7	D6	D5	D4	D3	D2	D1	D0		
0	0	0	0	1	0	0	0	0	0	0	0	1	0	0	0	1	0	0	0	0	RD[3]	RD[2]	RD[1]	RD[0]	8 bits

Table 56. Register Write Command bit definitions

Bit Field	Definition
PA[3:0]	The DSI Global address of '0000'.
C[3:0]	Register Write Command = 1000'
RA[7:0]	RA[7:0] must be set to the PHYSADDR register address (\$11)
RD[3:0]	RD[3:0] contains the new physical address for the device.

Table 57. Response - Global Register Write Command to the PHYSADDR register

Address				Command				Data																CRC
PA3	PA2	PA1	PA0	C3	C2	C1	C0	D15	D14	D13	D12	D11	D10	D9	D8	D7	D6	D5	D4	D3	D2	D1	D0	
PA[3]	PA[2]	PA[1]	PA[0]	1	0	0	0	RD[15]	RD[14]	RD[13]	RD[12]	RD[11]	RD[10]	RD[9]	RD[8]	RD[7]	RD[6]	RD[5]	RD[4]	RD[3]	RD[2]	RD[1]	RD[0]	8 bits

Table 58. Register Write Response bit definitions

Bit Field	Definition
PA[3:0]	The new DSI physical address programmed to the PADDR[3:0] bits in the PHYSADDR register.
C[3:0]	Register Write Command = 1000'
RD[15:8]	The data contained in register by \$12
RD[7:0]	The data contained in the PHYSADDR register after the register write is executed.

4.2.4.4 Enter Periodic Data Collection Mode Command

The device supports an Enter PDCM Command as a device address specific command and as a Global Command.

If the PA[3:0] field in the command matches the value in the PADDR[3:0] bits of the PHYSADDR register, the device will set the PDCM_EN bit in the PDCM_EN register, enter Periodic Data Collection Mode and respond to the command as shown below. If the PA[3:0] field in the command matches the Global address of '0000', the device will set the PDCM_EN bit in the PDCM_EN register and enter Periodic Data Collection Mode. No response is transmitted for a global command. The device ignores the Enter PDCM command if the command is sent to any other physical address.

Table 59. Enter Periodic Data Collection Mode Command

Address				Command				Data														CRC		
PA3	PA2	PA1	PA0	C3	C2	C1	C0	D15	D14	D13	D12	D11	D10	D9	D8	D7	D6	D5	D4	D3	D2		D1	D0
PA[3]	PA[2]	PA[1]	PA[0]	1	0	1	1	0	0	0	0	0	0	0	0	0	0	0	0	0	0	0	0	8 bits

Table 60. Enter Periodic Data Collection Mode Command bit definitions

Bit Field	Definition
PA[3:0]	DSI physical address. This field contains the physical address. This field must match the PADDR[3:0] bits in the PHYSADDR register or the Global Address of '0000'. Otherwise, the command is ignored.
C[3:0]	Enter PDCM Command = '1011'

Table 61. Response - Enter Periodic Data Collection Mode Command

Address				Command				Data														CRC		
PA3	PA2	PA1	PA0	C3	C2	C1	C0	D15	D14	D13	D12	D11	D10	D9	D8	D7	D6	D5	D4	D3	D2		D1	D0
PA[3]	PA[2]	PA[1]	PA[0]	1	0	1	1	0	0	0	0	0	0	Ch[2]	Ch[1]	Ch[0]	1	0	0	0	0	0	0	8 bits

Table 62. Enter Periodic Data Collection Mode Response bit definitions

Bit Field	Definition
PA[3:0]	DSI physical address. This field contains the PADDR[3:0] bits in the PHYSADDR register.
Ch[2:0]	CHIPTIME[2:0] in the CHIPTIME register
C[3:0]	Register Write Command = '1000'

4.3 DSI3 Periodic Data Collection Mode and Background Diagnostic Mode

When the PDCM_EN bit in the PDCM_EN register is set, Periodic Data Collection Mode is enabled. If the BDM_EN bit in the BDM_CFG register is also set, the optional Background Diagnostic Mode is also enabled.

4.3.1 DSI3 Periodic Data Collection Mode and Background Diagnostic Mode Command Reception

When Periodic Data Collection Mode is enabled, the device will decode the DSI3 Broadcast Read command as well as Background Diagnostic Mode command fragments as described below.

4.3.1.1 Bit Encoding

The Command Bit encoding for Periodic Data Collection Mode and Background Diagnostic Mode is the same as the bit encoding for Command and Response Mode, as described in [Section 4.2.1.1](#).

4.3.1.2 Command Message Format

The command message format for Periodic Data Collection Mode and Background Diagnostic Mode is the same as the command message format for Command and Response Mode, as described in [Section 4.2.1.2](#).

If Background Diagnostic Mode is disabled, then the device responds with the Periodic Data Collection Mode response only if the command is the single bit Broadcast Read Command. A Broadcast Read Command may be either a '1' or a '0'.

If Background Diagnostic Mode is enabled:

- Background Diagnostic Mode commands are transmitted and decoded in 4-bit fragments.
- The device responds with the Periodic Data Collection Mode response if and only if the command is a Broadcast Read Command or a 4-bit command fragment.
- A Broadcast Read Command or any command length other than four bits resets the Background Diagnostic Mode command decode.
- The device responds with a Background Diagnostic Mode response only when eight consecutive 4-bit command fragments are received and the decoded command is a valid Command and Response Mode command.

Refer to [Section 4.3.4](#) for additional details on Background Diagnostic Mode timing.

4.3.1.3 Error checking

The error checking for Background Diagnostic Mode commands is the same as the error checking for Command and Response Mode, and described in [Section 4.2.1.3](#).

No error checking is employed for the Broadcast Read commands.

4.3.2 DSI3 Periodic Data Collection Mode response transmission

When Periodic Data Collection Mode is enabled and the device receives either a Broadcast Read or Background Diagnostic Mode command, the device will respond with periodic data as shown in Figure 45 and described in the following sections.

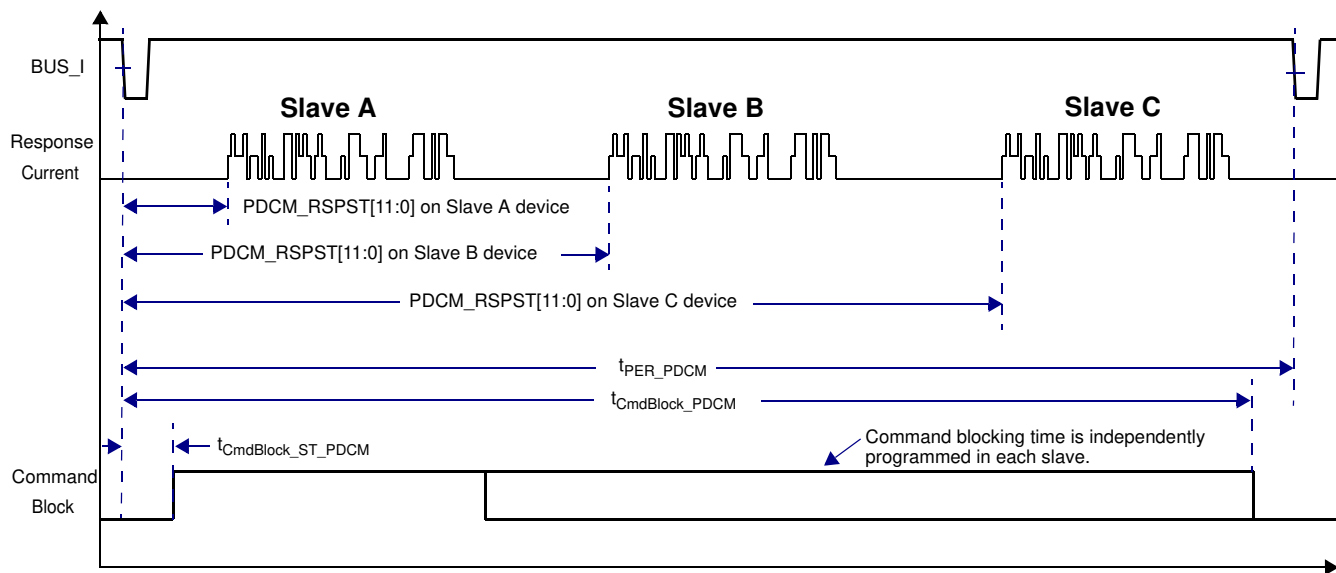


Figure 45. Periodic Data Collection Mode response transmission

4.3.2.1 Symbol encoding

The symbol encoding used for Periodic Data Collection Mode responses is the same as for Command and Response Mode responses, and described in Section 4.2.2.1.

4.3.2.2 Response message format

The Periodic Data Collection Mode response format is shown in Table 63.

Table 63. Periodic Data Collection Mode - response format

Source ID	Keep Alive Counter	Status	Acceleration Data	CRC
SOURCID[3:0]	KAC[1:0]	S[x:0]	D[x:0]	CRC[7:0]

Table 64. Periodic Data Collection Mode Response field definitions

Field	Length (Bits)	Definition
SOURCID[3:0]	4	Transmits the least significant 4 bits of the SOURCEID register
KAC[1:0]	2	Transmits the value of a 2-bit rolling counter. The counter is incremented each time a valid Broadcast Read Command is received or a valid Background Diagnostic Mode command is received. The counter does not increment for Command and Response Mode commands or for invalid commands.
S[3:0]	STATLEN = 0: 4 STATLEN = 1: 0	Reference Table 65.
D[x:0]	DATALEN = 0: 10 DATALEN = 1, 14	Transmits the value in the ACC1_D[15:0] registers as defined in Section 3.1.15.1.
CRC[7:0]	8	Transmits an 8-bit CRC as defined in Section 4.3.2.3

The status bit messages and message priority are listed in [Table 65](#). Reference [Section 5](#) for details on exception handling.

Table 65. Periodic Data Collection Mode Status field definitions

s[3:0]				Description	DEVSTAT State	Error Priority	Acceleration Data Field Value
0	0	0	0	Normal mode	N/A	NA	Acceleration Data
0	0	0	1	Offset Error	OFFSET_ERR set	4	Acceleration Data
0	0	1	0	Freescale OTP Array Error	F_OTP_ERR set	1	Error Code
0	0	1	1	User OTP Array Error	U_OTP_ERR set	2	Error Code
0	1	0	0	User Read/Write Array Error	U_RW_ERR set	3	Error Code
0	1	0	1	Reserved	N/A	8	Acceleration Data
0	1	1	0	Reserved	N/A	9	Acceleration Data
0	1	1	1	Oscillator Training Error	OSCTRAIN_ERR set	6	Acceleration Data
1	0	0	0	Self-test Activation Incomplete	ST_INCMPLT set	5	Acceleration Data
1	0	0	1	Reserved	N/A	7	Acceleration Data
1	0	1	0	Reserved	N/A	10	Acceleration Data
1	0	1	1	Reserved	N/A	11	Acceleration Data
1	1	0	0	Reserved	N/A	12	Acceleration Data
1	1	0	1	Reserved	N/A	13	Acceleration Data
1	1	1	0	Reserved	N/A	14	Acceleration Data
1	1	1	1	Test mode active	TESTMODE set	15	Error Code

4.3.2.3 Error checking

The device calculates a CRC on the entire response. Data is entered into the CRC calculator MSB first, consistent with the transmission order of the message.

The CRC Encoding procedure is:

1. A seed value is preset into the least significant bits of the shift register.
2. Using a serial CRC calculation method, the transmitter rotates the transmitted message into the least significant bits of the shift register, MSB first.
3. Following the transmitted message, the transmitter feeds eight zeros into the shift register, to match the length of the CRC.
4. When the last zero is fed into the input adder, the shift register contains the CRC.
5. The CRC is transmitted.

The CRC polynomial is specified in the PDCMCRPLY register. The CRC default polynomial and Seed for Command and Response Mode are shown in [Table 66](#).

Table 66. Periodic Data Collection Mode Response CRC

Mode	Default Polynomial	Seed
Periodic Data Collection Mode	$x^8 + x^5 + x^3 + x^2 + x + 1$	SOURCEID[7:0]

Some example CRC calculations are shown in [Table 67](#).

Table 67. Periodic Data Collection Mode - CRC Calculation Examples

Source Identification (4 Bits)	Keep Alive Counter (2 Bits)	Status (4 Bits)	Acceleration Data (10 Bits)	8-bit CRC
0x1	0x3	0x0	0x1FF	0xD6
0x2	0x2	0x0	0x1FE	0x70
0x3	0x1	0x0	0x20D	0xB0
0x4	0x0	0x0	0x1EA	0x5F

4.3.3 DSI3 Periodic Data Collection Mode timing

A timing diagram for Periodic Data Collection Mode is shown in Figure 46. Timing parameters are specified in Section 2.7.

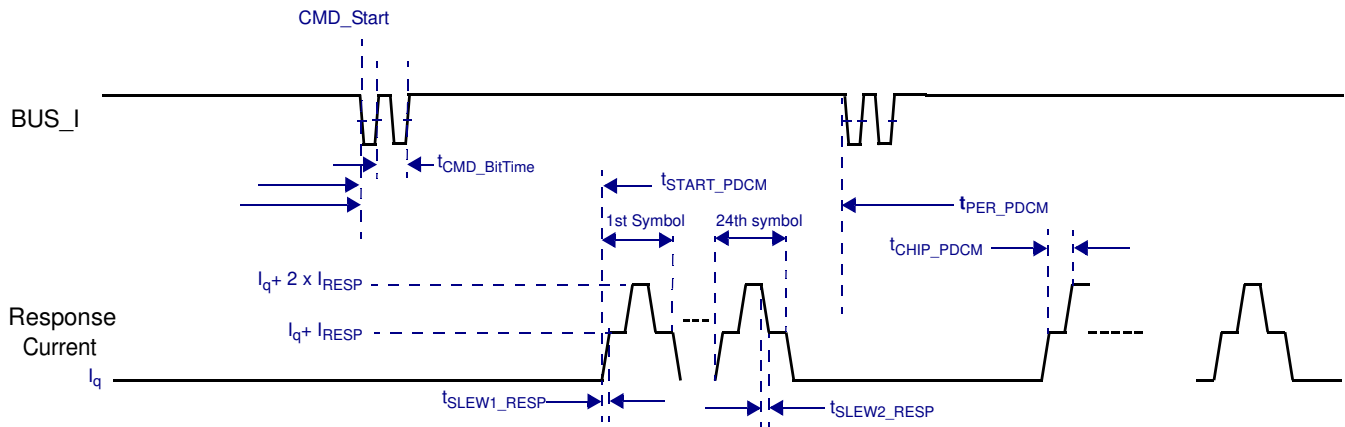


Figure 46. Periodic Data Collection Mode Timing Diagram

4.3.4 Background Diagnostic Mode Response Transmission

4.3.4.1 Symbol Encoding

The Background Diagnostic Mode response symbol encoding is the same as the symbol encoding used for Command and Response Mode responses and is described in Section 4.2.2.1.

4.3.4.2 Response Message Format

The Background Diagnostic Mode response message format is the same as the format used for Command and Response Mode responses and is described in Section 4.2.2.1.

- If a complete 32-bit command is received and decoded to a valid Command and Response Mode command the device provides a Background Diagnostic Mode response.
- Responses are initiated by the master transmitting 1 bit Broadcast Read Commands following a completed Background Diagnostic Mode command transmission.
- Responses are transmitted in one symbol fragments following the 1-bit Broadcast Read Command, using the same timing window within the frame that the Background Diagnostic Mode Command used.
- Responses are transmitted if and only if Broadcast Read Commands are received.
- Eight consecutive Broadcast Read Commands are required following a valid Background Diagnostic Mode command to complete a response transmission.
- If any command other than the Broadcast Read Command is received, no response is transmitted and the remainder of the Broadcast Read Command response is terminated.
- The data to be transmitted in the response is latched just before the first symbol of the Background Diagnostic Mode response.

Reference Figure 47 for Background Diagnostic Mode timing.

4.3.4.3 Error Checking

The error checking for Background Diagnostic Mode responses is the same as used for Command and Response Mode, and described in Section 4.2.1.3.

4.3.5 DSI3 Background Diagnostic Mode Timing

A timing diagram for Background Diagnostic Mode is shown in Figure 47. Timing parameters are specified in Section 2.7.

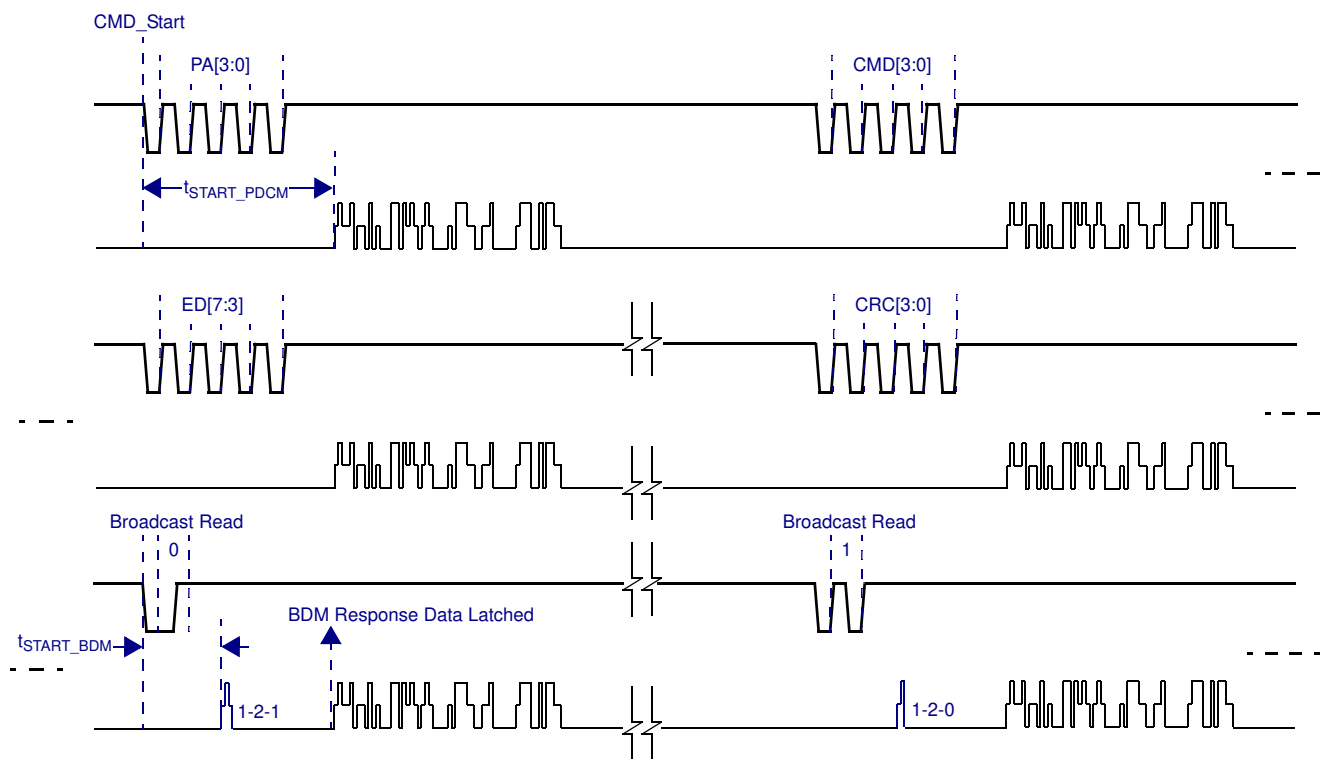


Figure 47. Background Diagnostic Mode Timing Diagram

4.3.6 DSI3 Periodic Data Collection Mode and Background Diagnostic Mode Command Summary

When Periodic Data Collection Mode is enabled, the Background Diagnostic Mode supports the Register Read command as described in the Command and Response Mode command summary, Section 4.2.4.1. The Register Write command is not supported in Background Diagnostic Mode.

4.4 Maximum number of devices on a network

The theoretical maximum number of devices on a DSI3 network is 16: 1 master and 15 slaves. The practical limit for the number of devices on a bus is dependent on the minimum common capability of the devices on the bus. The capability of the device is different depending on the bus configuration and operating mode. The impact of the device capability on the practical limit for the number of devices on the network is described in this section.

4.4.1 Preconfigured, Parallel Connected Network

The number of devices in a preconfigured, parallel connected network is not directly limited by the capability of the device. The practical limit is determined by a combination of the following:

- The capability of the master device, including, but not limited to:
 - The bus operating voltage
 - The bus supply current
 - The bus current limit
 - The bit rate
 - The response current detection capability (distinguishing response current from quiescent current)
- The total quiescent current of all slaves on the network.

4.4.2 Bus switch connected daisy-chain network

The number of devices in a bus switch connected daisy-chain network is not directly limited by the capability of the device. The practical limit is determined by a combination of the following:

- The capability of the master device, including, but not limited to:
 - The bus operating voltage
 - The bus supply current
 - The bus current limit
 - The bit rate
 - The response current detection capability (distinguishing response current from quiescent current)
- The total quiescent current of all slaves on the network.
- The current handling capability and resulting voltage drop of the external bus switches in the network.

4.4.3 Resistor connected daisy-chain network using Discovery Mode

The number of devices in a resistor connected daisy-chain network is limited by the capability of the device. The maximum number of equivalent devices connected to the BUS_O pin of the device is three. This is limited by the total quiescent current drawn from the BUS_O pin during Discovery Mode ($I_{BUS_O_q}$).

The practical limit is determined by a combination of the above restriction and the following:

- The capability of the master device, including, but not limited to:
 - The bus operating voltage
 - The bus supply current
 - The bus current limit
 - The bit rate
 - The response current detection capability (distinguishing response current from quiescent current)
- The total quiescent current of all slaves on the network.
- The maximum allowed quiescent current drawn from the BUS_O pin of other slaves in the system.
- The resulting voltage drop of the Discovery Mode resistors in all slaves in the network.

5 Exception Handling

Table 68 summarizes the exception conditions detected by the device and the response for each exception.

Table 68. Exception handling

Condition		Description	Device Response
Exception	PDCM_EN		
Power On Reset	N/A	Power Applied	<ul style="list-style-type: none"> Reference Section 3.8. ST_INCMPLT Bit Set, PDCM S[3:0] = '1000'.
V _{BUS_I} Undervoltage	N/A	V _{BUS_I} < V _{BUS_I_UV_F}	<ul style="list-style-type: none"> Response Current Deactivated. BUSI_UV_ERR set. The device reacts to all DSI commands but no response current is activated.
V _{BUF} Undervoltage	N/A	V _{BUF} < V _{BUF_UV_F}	<ul style="list-style-type: none"> Response Current Deactivated. VBUF_UV_ERR set. The device reacts to all DSI commands but no response current is activated.
V _{REG} Undervoltage	N/A	V _{REG} < V _{REG_UV_F}	<ul style="list-style-type: none"> The device is held in Reset. No response to DSI commands. If activated, BUSSW is deactivated within t_{BS_OFF}. The device must be re-initialized when V_{REG} returns above V_{PORCREG_r}.
V _{REGA} Undervoltage	N/A	V _{REGA} < V _{REGA_UV_F}	<ul style="list-style-type: none"> The device is held in Reset. No response to DSI commands. If activated, BUSSW is deactivated within t_{BS_OFF}. The device must be re-initialized when V_{REGA} returns above V_{PORCREGA_r}.
V _{BUF} Capacitor Test Failure	N/A		<ul style="list-style-type: none"> The device is reset and will continue to be reset every t_{POR_CAPTEST} until the capacitor failure is removed. No response to DSI commands. If activated, BUSSW is deactivated within t_{BS_OFF}. The device must be re-initialized when the capacitor failure is removed.
V _{REG} Capacitor Test Failure	N/A		<ul style="list-style-type: none"> The device is reset and will continue to be reset every t_{POR_CAPTEST} until the capacitor failure is removed. No response to DSI commands. If activated, BUSSW is deactivated within t_{BS_OFF}. The device must be re-initialized when the capacitor failure is removed.
V _{REGA} Capacitor Test Failure	N/A		<ul style="list-style-type: none"> The device is reset and will continue to be reset every t_{POR_CAPTEST} until the capacitor failure is removed. No response to DSI commands. If activated, BUSSW is deactivated within t_{BS_OFF}. The device must be re-initialized when the capacitor failure is removed.
OTP CRC Fault (Factory Array)	N/A	Error detected in factory-programmed OTP array.	<ul style="list-style-type: none"> Periodic Data Collection Mode response data set to error response. PDCM S[3:0] = '0010'.
OTP CRC Fault (User Array)	N/A	Error detected in User programmed OTP array and the LOCK_U bit is set.	<ul style="list-style-type: none"> Periodic Data Collection Mode response data set to error response. PDCM S[3:0] = '0011'.
User R/W Array CRC Fault	0	N/A	N/A
	1	Error detected in user read write registers and the PDCM_EN bit is set.	<ul style="list-style-type: none"> Periodic Data Collection Mode response data set to error response. PDCM S[3:0] = '0100'.
Self-test Activated	0	ST activated during initialization	<ul style="list-style-type: none"> Internal self-test circuitry enabled. Self-test Activation Incomplete status cleared. Acceleration Data Registers (ACC_DATA_L, ACC_DATA_H) contain self-test active data.
	1	ST activated in Periodic Data Collection Mode	<ul style="list-style-type: none"> Periodic Data Collection Mode acceleration response data normal. Self-test Activation ignored.
Self-test Never Activated after POR	0	In initialization, before Self-test	<ul style="list-style-type: none"> Normal Responses to Command and Response Mode.
	1	In PDCM, Self-test incomplete	<ul style="list-style-type: none"> Periodic Data Collection Mode acceleration response data normal. ST_INCMPLT bit set, PDCM S[3:0] = '1000'.

6 Recommended Footprint

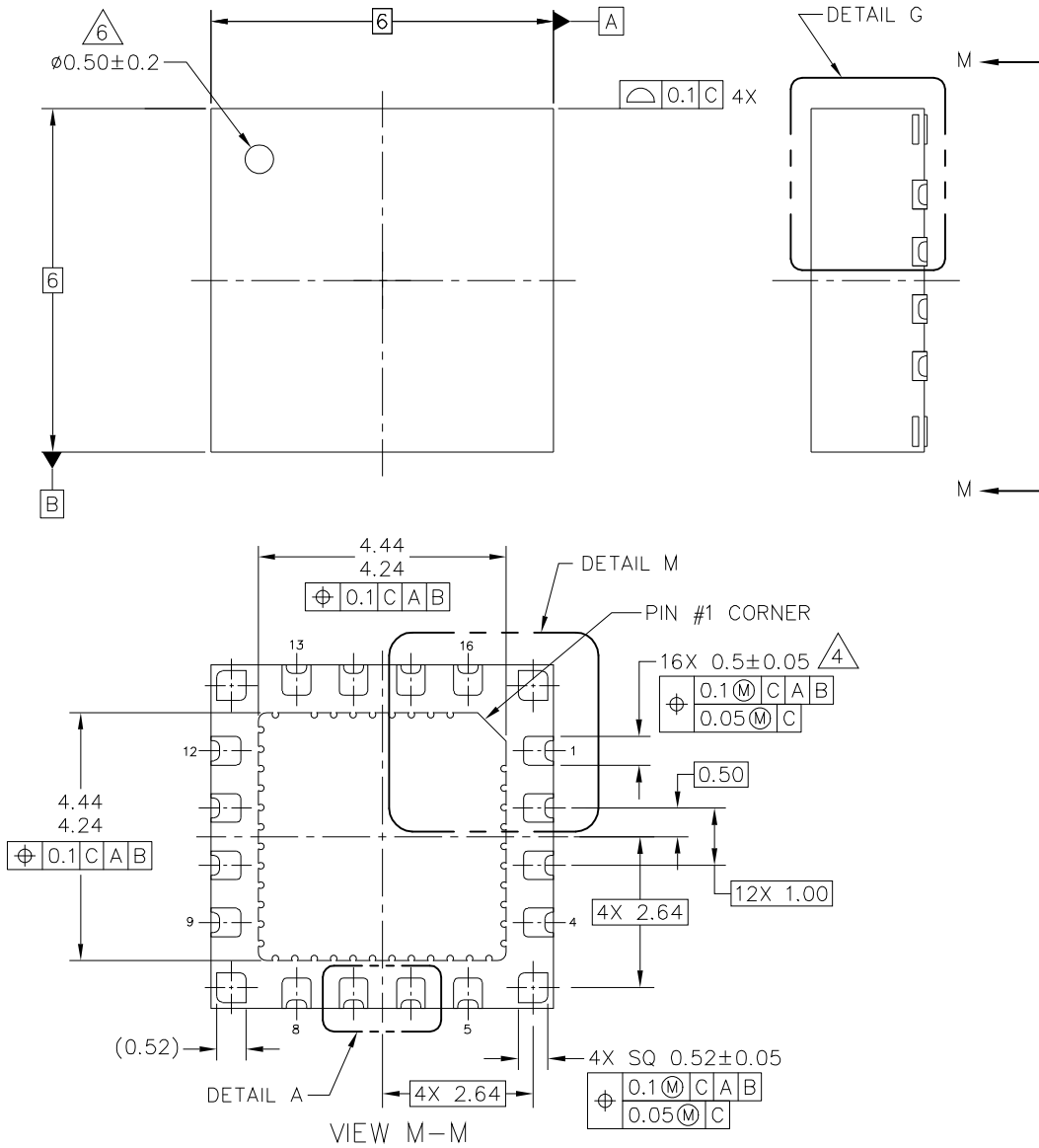
Reference Freescale Application Note AN3111, latest revision:

http://www.freescale.com/files/sensors/doc/app_note/AN3111.pdf

Reference Freescale Application Note AN4530, latest revision:

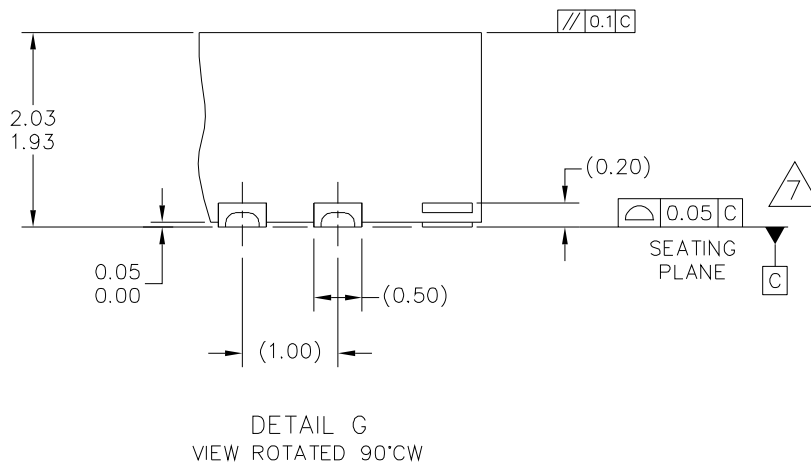
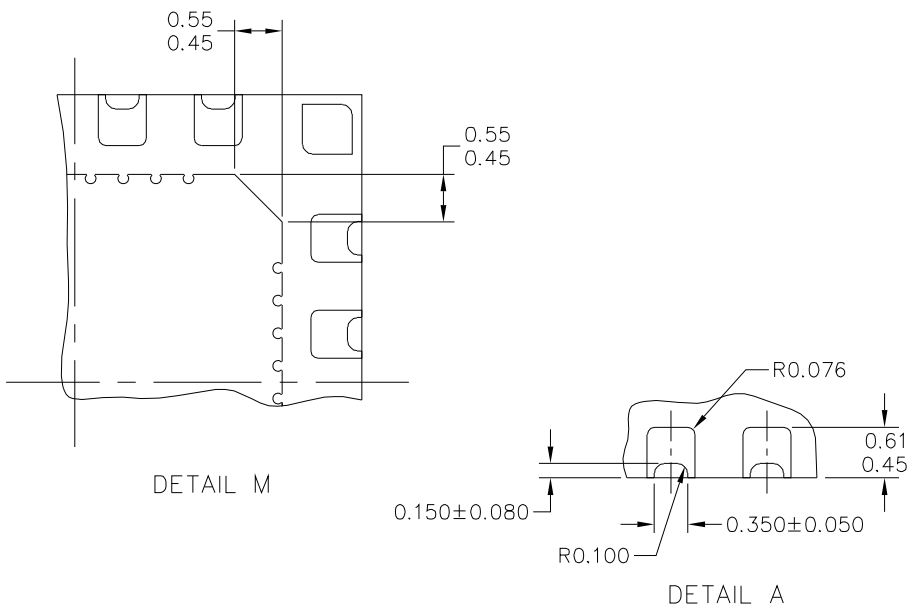
http://www.freescale.com/files/sensors/doc/app_note/AN4530.pdf

7 Package Dimensions



© FREESCALE SEMICONDUCTOR, INC. ALL RIGHTS RESERVED.	MECHANICAL OUTLINE	PRINT VERSION NOT TO SCALE	
TITLE: THERMALLY ENHANCED QUAD FLAT NON-LEADED PACKAGE (QFN), 16 TERMINAL, 1.0 PITCH (6 X 6 X 1.98)	DOCUMENT NO: 98ASA00090D	REV: C	
	CASE NUMBER: 2086-01	26 MAY 2011	
	STANDARD: NON-JEDEC		

**CASE 2086-01
ISSUE C
16 LEAD QFN**



© FREESCALE SEMICONDUCTOR, INC. ALL RIGHTS RESERVED.	MECHANICAL OUTLINE	PRINT VERSION NOT TO SCALE	
TITLE: THERMALLY ENHANCED QUAD FLAT NON-LEADED PACKAGE (QFN), 16 TERMINAL, 1.0 PITCH (6 X 6 X 1.98)	DOCUMENT NO: 98ASA00090D	REV: C	
	CASE NUMBER: 2086-01	26 MAY 2011	
	STANDARD: NON-JEDEC		

**CASE 2086-01
ISSUE C
16 LEAD QFN**

NOTE:

1. ALL DIMENSIONS ARE IN MILLIMETERS.
2. DIMENSIONING AND TOLERANCING PER ASME Y14.5M. – 1994.
4. THIS DIMENSION APPLIES TO METALLIZED TERMINAL AND IS MEASURED BETWEEN 0.15 AND 0.30mm FROM TERMINAL TIP. IF THE TERMINAL HAS THE OPTIONAL RADIUS ON THE OTHER END OF THE TERMINAL, THE DIMENSION b SHOULD NOT BE MEASURED IN THAT RADIUS AREA.
5. MAX. PACKAGE WARPAGE IS 0.05 MM.
6. PIN #1 ID ON TOP WILL BE LASER MARKED.
7. BILATERAL COPLANARITY ZONE APPLIES TO THE EXPOSED HEAT SINK SLUG AS WELL AS THE TERMINALS.
8. THIS IS NON JEDEC REGISTERED PACKAGE.
10. MIN. METAL GAP SHOULD BE 0.2 MM

© FREESCALE SEMICONDUCTOR, INC. ALL RIGHTS RESERVED.	MECHANICAL OUTLINE	PRINT VERSION NOT TO SCALE	
TITLE: THERMALLY ENHANCED QUAD FLAT NON-LEADED PACKAGE (QFN), 16 TERMINAL, 1.0 PITCH (6 X 6 X 1.98)	DOCUMENT NO: 98ASA00090D	REV: C	
	CASE NUMBER: 2086-01	26 MAY 2011	
	STANDARD: NON-JEDEC		

**CASE 2086-01
ISSUE C
16 LEAD QFN**

8 Revision History

Table 69. Revision history

Revision number	Revision date	Description of changes
0	10/2012	<ul style="list-style-type: none"> Initial release.
0.5	04/2013	<ul style="list-style-type: none"> Deleted "J" versions of devices and Silicon rev. column on ordering information table. Added Rail options to table. Figure 3: Added C6 capacitor between BUSRTN and BUSOUT_{DC}. Table 2: Added additional information for description of C1. Added C6 capacitor description. Added additional information for description of C1. Figure 5: Deleted (J) from the marking diagram. Section 2.4: Electrical characteristics - Sensor and Signal Chain table: Deleted "trimmed with a..." sentence from lines 57-66. Section 2.5: Electrical characteristics - Self-test and Overload table: Deleted lines 99 and 100 characteristics for "J" versions of device. Section 2.6: Dynamic electrical characteristics - DSI3: Updated Typ values for lines 106, 111, 118, 120-126, 128, 130, 132-136, 140-142, 144, and 147-150. Updated Min and Max values for lines 139, 143, 145, 146, and 150. Section 2.7: Dynamic electrical characteristics - signal chain: Added x-pole description to Cutoff frequency lines. Deleted lines for "Filter order LPFx" and "Filter order, startup Phase x". Updated Typ values for lines 161, 163, 166, 168, and 178. Section 2.7: Dynamic electrical characteristics - supply and support circuitry: Deleted line Oscillator cycles in training time row, Updated Min, Typ and Max values for lines 199-201 and Min values for lines 208 and 209. Deleted Section 2.9. Table 33: Updated Typical Block Latency column values. Table 34: Updated Group Delay column values. Replaced paragraph for Section 4.3.

How to Reach Us:**Home Page:**

freescale.com

Web Support:

freescale.com/support

Information in this document is provided solely to enable system and software implementers to use Freescale products. There are no express or implied copyright licenses granted hereunder to design or fabricate any integrated circuits based on the information in this document.

Freescale reserves the right to make changes without further notice to any products herein. Freescale makes no warranty, representation, or guarantee regarding the suitability of its products for any particular purpose, nor does Freescale assume any liability arising out of the application or use of any product or circuit, and specifically disclaims any and all liability, including without limitation consequential or incidental damages. "Typical" parameters that may be provided in Freescale data sheets and/or specifications can and do vary in different applications, and actual performance may vary over time. All operating parameters, including "typicals," must be validated for each customer application by customer's technical experts. Freescale does not convey any license under its patent rights nor the rights of others. Freescale sells products pursuant to standard terms and conditions of sale, which can be found at the following address: freescale.com/salestermsandconditions.

Freescale, the Freescale logo, AltiVec, C-5, CodeTest, CodeWarrior, ColdFire, CWare, Energy Efficient Solutions logo, Kinetis, mobileGT, PowerQUICC, Processor Expert, QorIQ, Qorivva, StarCore, Symphony, and VortiQa are trademarks of Freescale Semiconductor, Inc., Reg. U.S. Pat. & Tm. Off. Airfast, BeeKit, BeeStack, ColdFire+, CoreNet, Flexis, MagniV, MXC, Platform in a Package, QorIQ Qonverge, QUICC Engine, Ready Play, SafeAssure, SMARTMOS, TurboLink, Vybrid, and Xtrinsic are trademarks of Freescale Semiconductor, Inc. All other product or service names are the property of their respective owners.

© 2013 Freescale Semiconductor, Inc.