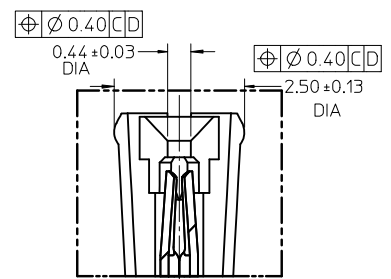


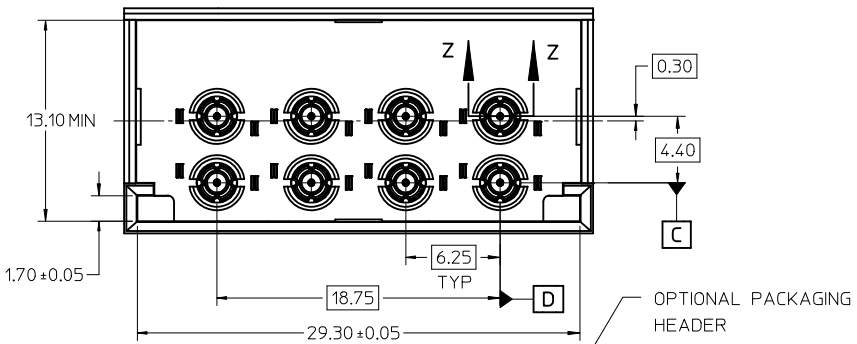
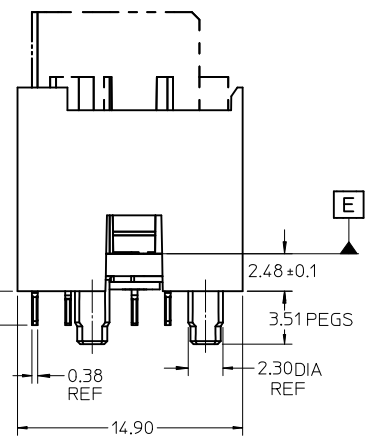
MATERIAL NO.	POSITION OF LOADED TERMINAL(S)	PACKAGING SPEC.
74712-4001	2, 5, 8, 11	PK-74712-001
74712-4002	2	
74712-4003	2, 5, 8, 11	PK-74712-002

NOTES:

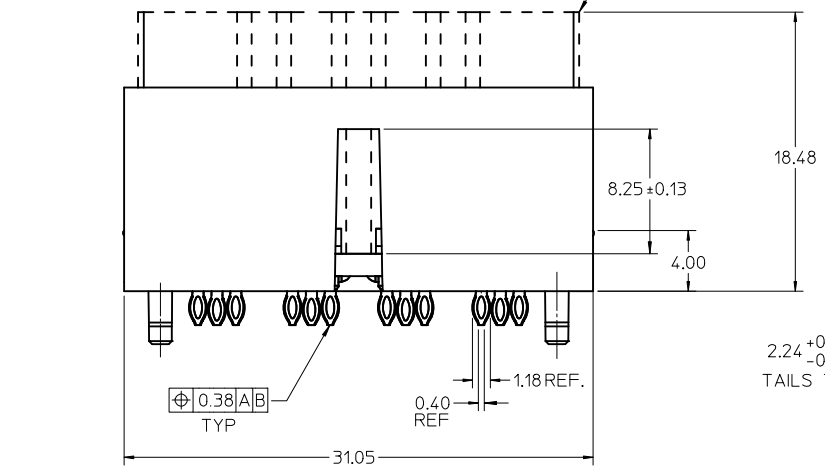
- MATERIAL:**  
HOUSING: GLASS FILLED THERMO PLASTIC, 94V-0  
INSULATOR: GLASS FILLED THERMO PLASTIC, 94V-0  
PACKAGING HEADER: GLASS FILLED THERMO PLASTIC, 94V-0  
TERMINALS AND GROUND: TIN BRASS  
OUTER GROUND CONTACT: PHOSPHOR BRONZE
- PLATING:**  
TERMINALS:  
SELECTIVE 0.76 MICRONS MIN. GOLD IN CONTACT AREA  
SELECTIVE 0.88 MICRONS MIN. TIN BOTH OVER  
1.27 MICRONS MIN. NICKEL UNDERPLATE  
GROUNDS:  
0.88 MICRONS MIN. TIN OVERALL OVER  
1.27 MICRONS MIN. NICKEL UNDERPLATE  
OUTER GROUND CONTACT:  
0.76 MICRONS MIN. GOLD OVERALL OVER  
1.27 MICRONS MIN. NICKEL UNDERPLATE
- REFER TO PRODUCT SPEC.: PS-74854-001 FOR ELECTRICAL, MECHANICAL AND ENVIRONMENTAL REQUIREMENTS.
- REFER TO PACKAGING SPEC STATED IN CHARTS FOR DETAILS OF THE PACKAGING REQUIREMENTS.
- DATE CODE MARKING TO BE LOCATED ANYWHERE ON PLASTIC HOUSING. FIRST TWO DIGITS = WEEK NUMBER. LAST TWO DIGITS = YEAR.



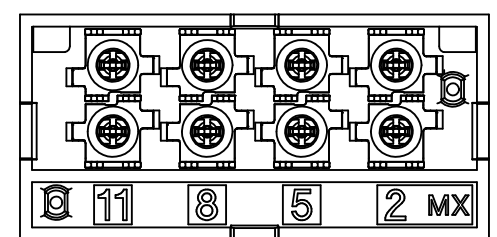
SECTION Z Z  
SCALE 14:1



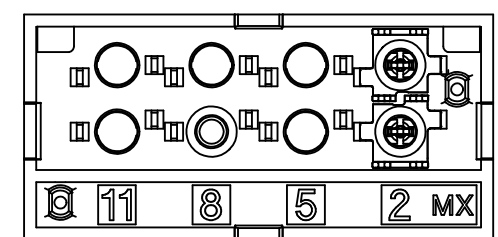
OPTIONAL PACKAGING HEADER



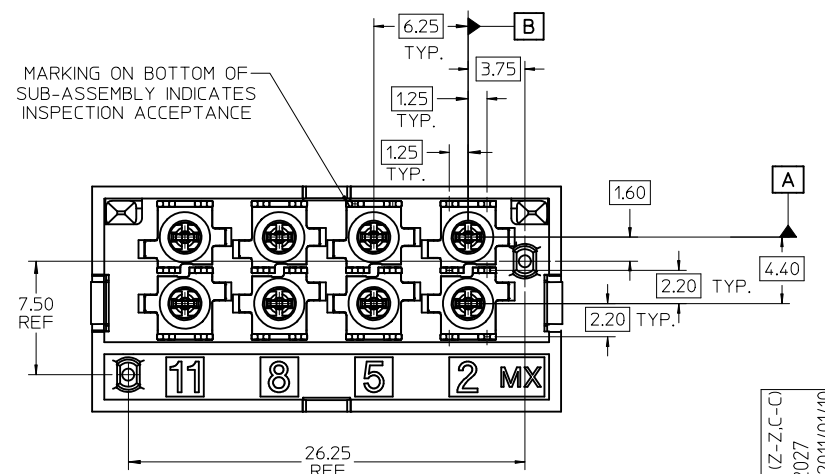
CONTACT LOADING OPTIONS FOR 8 POS CONNECTORS



MAT'L NO. 74712-4001/-4003  
POSITION 2, 5, 8 & 11 LOADED

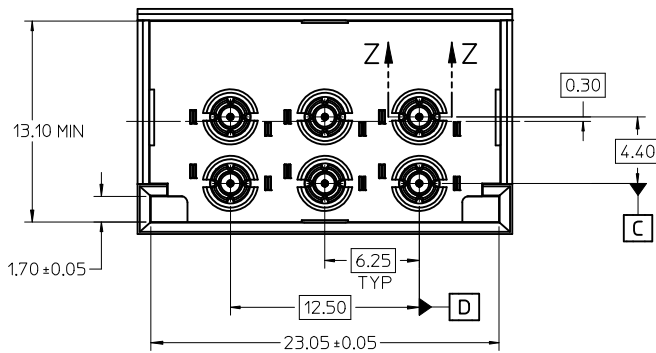


MAT'L NO. 74712-4002  
POSITION 2 LOADED



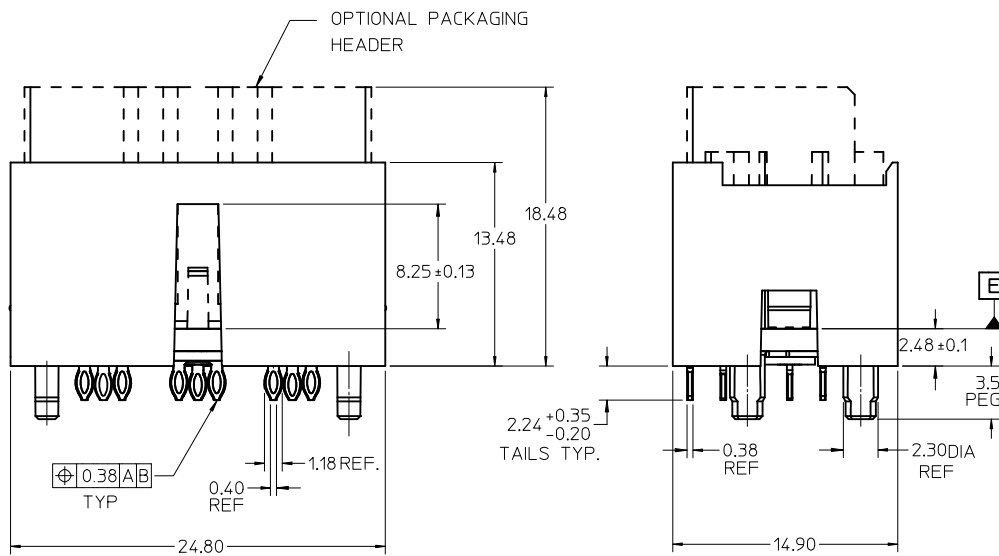
8 POS. CONNECTOR SHOWN

DIM. CORRECTION (Z-Z-C-C) IEC NO: UCP2011-2027 DRWN: JMENDOZA 2011/01/10 CHKD: JBINGHAM 2011/01/10 APPR: JBINGHAM 2011/01/11	QUALITY SYMBOLS	GENERAL TOLERANCES (UNLESS SPECIFIED)	SCALE 4:1	DESIGN UNITS METRIC	THIRD ANGLE PROJECTION	REVISE ON CAD ONLY															
	▽ -0 ∇ -0	<table border="1"> <thead> <tr> <th></th> <th>mm</th> <th>INCH</th> </tr> </thead> <tbody> <tr> <td>4 PLACES</td> <td>± ---</td> <td>± ---</td> </tr> <tr> <td>3 PLACES</td> <td>± ---</td> <td>± ---</td> </tr> <tr> <td>2 PLACES</td> <td>± ---</td> <td>± ---</td> </tr> <tr> <td>1 PLACE</td> <td>± ---</td> <td>± ---</td> </tr> </tbody> </table> ANGULAR ± 2 °		mm	INCH	4 PLACES	± ---	± ---	3 PLACES	± ---	± ---	2 PLACES	± ---	± ---	1 PLACE	± ---	± ---	DIMENSION STYLE MM ONLY	TITLE	SALES DRAWING FOR VERTICAL GANGED RF CONNECTOR, SHORT TAILS	
				mm	INCH																
	4 PLACES	± ---	± ---																		
3 PLACES	± ---	± ---																			
2 PLACES	± ---	± ---																			
1 PLACE	± ---	± ---																			
DRAFT WHERE APPLICABLE MUST REMAIN WITHIN DIMENSIONS	APPROVED BY DATE SREED 2006/06/06	CHECKED BY DATE JBINGHAM 2006/06/06	DRAWN BY DATE SREED 2006/06/06	MOLEX INCORPORATED MATERIAL NO. SEE CHART DOCUMENT NO. SD-74712-002 SHEET NO. 1 OF 5																	
D1	THIS DRAWING CONTAINS INFORMATION THAT IS PROPRIETARY TO MOLEX INCORPORATED AND SHOULD NOT BE USED WITHOUT WRITTEN PERMISSION																				



MATERIAL NO.	POSITION OF LOADED TERMINAL(S)	OPTIONAL PACKAGING HEADER	PACKAGING SPEC.
74712-5001	2, 5, 8	YES	PK-74712-101
74712-5002	2, 8	YES	
74712-5003	2	YES	
74712-5004	8	YES	PK-74712-102
74712-5005	2, 5, 8	YES	
74712-5006	2	YES	

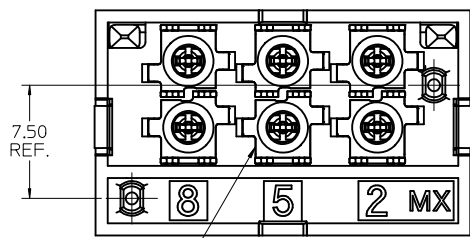
NOTE: REFER TO SHEET 1 FOR ALL DIMENSIONS, SECTION VIEW AND NOTES NOT SHOWN.



6 POS. CONNECTOR SHOWN

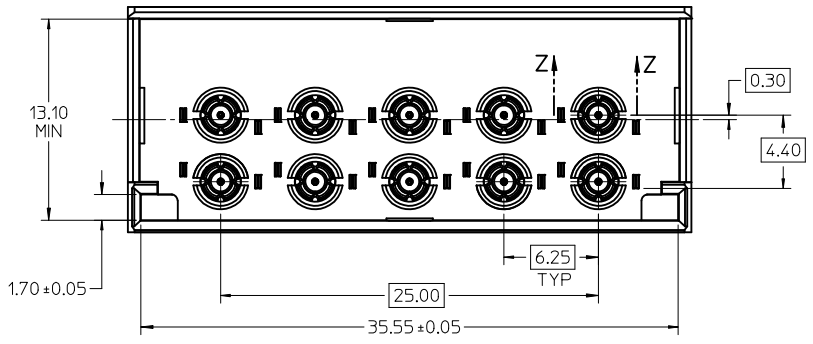
### CONTACT LOADING OPTIONS FOR 6 POS. CONNECTOR

<p>MATL NO.: 74712-5003/-5006 POSITION 2 LOADED ONLY</p>	<p>MATL NO.: 74712-5004 POSITION 8 LOADED ONLY</p>
<p>MATL NO.: 74712-5001/-5005 POSITIONS 2, 5 &amp; 8 LOADED</p>	<p>MATL NO.: 74712-5002 POSITIONS 2 &amp; 8 LOADED</p>



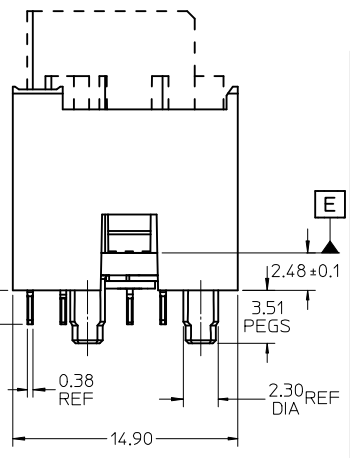
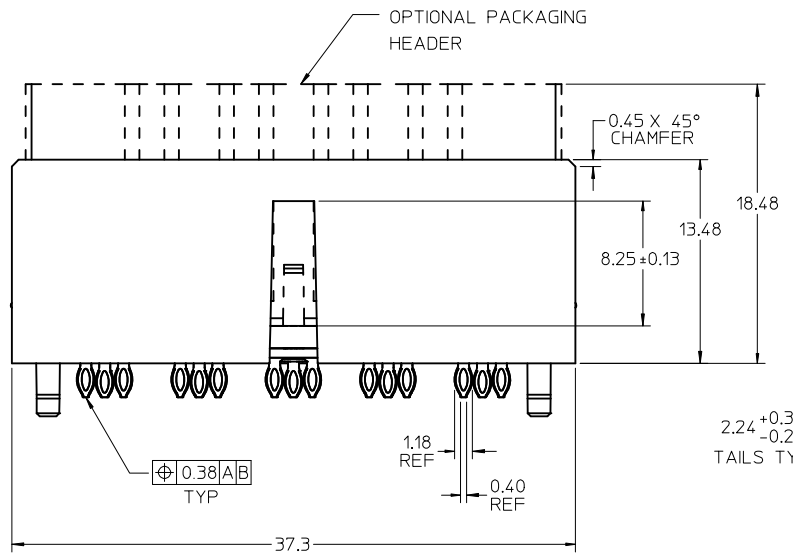
MARKING ON BOTTOM OF SUB-ASSEMBLY INDICATES INSPECTION ACCEPTANCE

SEE SHEET 1 EC NO: UCP2011-2027 DRWN: JMENDOZA 2011/01/10 CHKD: BINGHAM 2011/01/10 APPR: BINGHAM 2011/01/11	QUALITY SYMBOLS ▽ -0 ▽C -0	GENERAL TOLERANCES (UNLESS SPECIFIED) <table border="1" style="width: 100%; text-align: center;"> <thead> <tr> <th></th> <th>mm</th> <th>INCH</th> </tr> </thead> <tbody> <tr> <td>4 PLACES</td> <td>± ---</td> <td>± ---</td> </tr> <tr> <td>3 PLACES</td> <td>± ---</td> <td>± ---</td> </tr> <tr> <td>2 PLACES</td> <td>± ---</td> <td>± ---</td> </tr> <tr> <td>1 PLACE</td> <td>± ---</td> <td>± ---</td> </tr> </tbody> </table> ANGULAR ± 2 °		mm	INCH	4 PLACES	± ---	± ---	3 PLACES	± ---	± ---	2 PLACES	± ---	± ---	1 PLACE	± ---	± ---	SCALE 4:1 DESIGN UNITS METRIC DIMENSION STYLE MM ONLY	THIRD ANGLE PROJECTION REVISE ON CAD ONLY	TITLE SALES DRAWING FOR VERTICAL GANGED RF CONNECTOR, SHORT TAILS MOLEX MOLEX INCORPORATED
		mm	INCH																	
	4 PLACES	± ---	± ---																	
	3 PLACES	± ---	± ---																	
2 PLACES	± ---	± ---																		
1 PLACE	± ---	± ---																		
DRAFT WHERE APPLICABLE	MUST REMAIN WITHIN DIMENSIONS	APPROVED BY DATE	DATE	MATERIAL NO.	DOCUMENT NO.															
D1	REV	SREED	2006/06/06	SEE CHART	SD-74712-002															
THIS DRAWING CONTAINS INFORMATION THAT IS PROPRIETARY TO MOLEX INCORPORATED AND SHOULD NOT BE USED WITHOUT WRITTEN PERMISSION																				

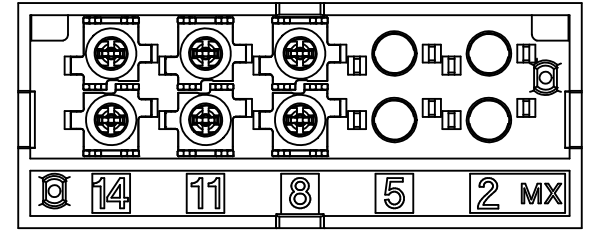


NOTE: REFER TO SHEET 1 FOR ALL DIMENSIONS, SECTION VIEW AND NOTES NOT SHOWN.

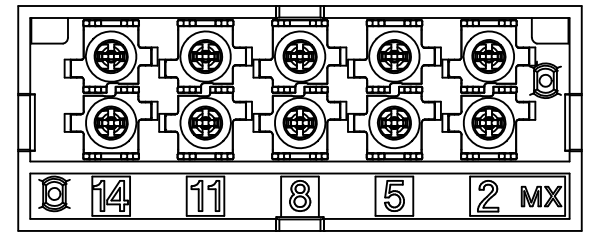
MATERIAL NO.	POSITION OF LOADED TERMINAL(S)	PACKAGING SPEC.
74712-6001	2, 5, 8, 11, 14	PK-74712-210
74712-6002	8, 11, 14	



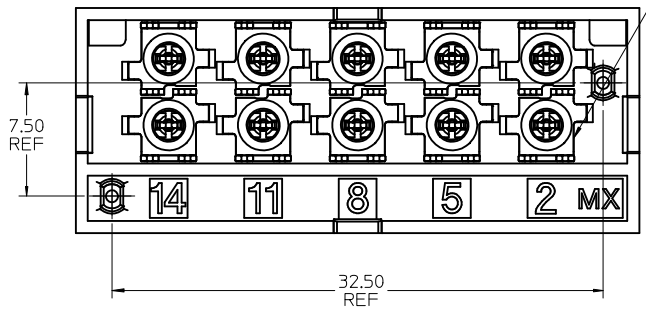
CONTACT LOADING OPTIONS FOR 10 POSITION CONNECTORS



MAT'L NO. 74712-6002  
POSITIONS 8, 11 & 14 LOADED



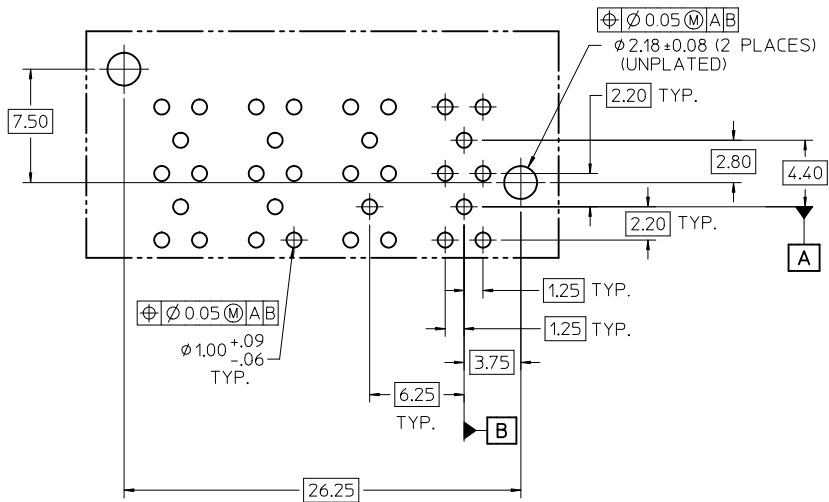
MAT'L NO. 74712-6001  
POSITIONS 2, 5, 8, 11 & 14 LOADED



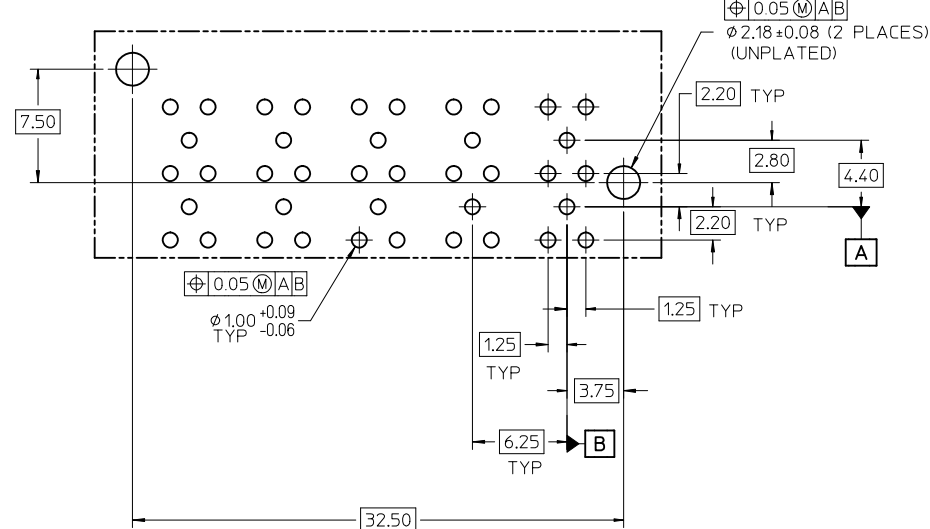
MARKING ON BOTTOM OF SUB-ASSEMBLY INDICATES INSPECTION ACCEPTANCE

10 POSITION CONNECTOR SHOWN

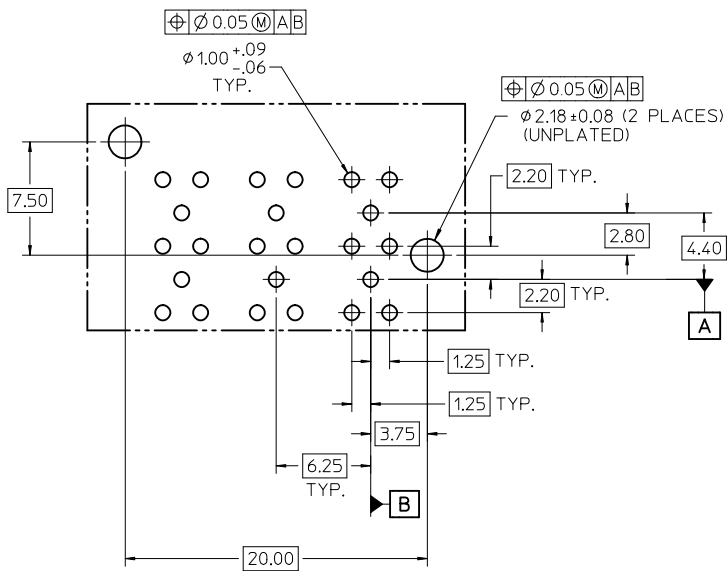
SEE SHEET 1 EC NO: UCP2011-2027 DRWN: JMENDOZA 2011/01/10 CHKD: JBINGHAM 2011/01/10 APPR: JBINGHAM 2011/01/11	QUALITY SYMBOLS	GENERAL TOLERANCES (UNLESS SPECIFIED)	SCALE 4:1	DESIGN UNITS METRIC	THIRD ANGLE PROJECTION	REVISE ON CAD ONLY															
	▼ -0 ▽ -0	<table border="1"> <thead> <tr> <th></th> <th>mm</th> <th>INCH</th> </tr> </thead> <tbody> <tr> <td>4 PLACES</td> <td>± ---</td> <td>± ---</td> </tr> <tr> <td>3 PLACES</td> <td>± ---</td> <td>± ---</td> </tr> <tr> <td>2 PLACES</td> <td>± ---</td> <td>± ---</td> </tr> <tr> <td>1 PLACE</td> <td>± ---</td> <td>± ---</td> </tr> </tbody> </table>		mm	INCH	4 PLACES	± ---	± ---	3 PLACES	± ---	± ---	2 PLACES	± ---	± ---	1 PLACE	± ---	± ---	DIMENSION STYLE MM ONLY	TITLE	SALES DRAWING FOR VERTICAL GANGED RF CONNECTOR, SHORT TAILS	
			mm	INCH																	
	4 PLACES	± ---	± ---																		
3 PLACES	± ---	± ---																			
2 PLACES	± ---	± ---																			
1 PLACE	± ---	± ---																			
DRAFT WHERE APPLICABLE MUST REMAIN WITHIN DIMENSIONS	APPROVED BY: SREED DATE: 2006/06/06	APPROVED BY: JBINGHAM DATE: 2006/06/06	DIMENSION STYLE MM ONLY	MOLEX INCORPORATED	MOLEX INCORPORATED																
D1	REV				MATERIAL NO. SEE CHART DOCUMENT NO. SD-74712-002	SHEET NO. 3 OF 5															



RECOMMENDED PCB LAYOUT  
FOR THE 8 POSITION CONNECTOR  
COMPONENT SIDE  
MAX. BOARD THICKNESS: 4.50



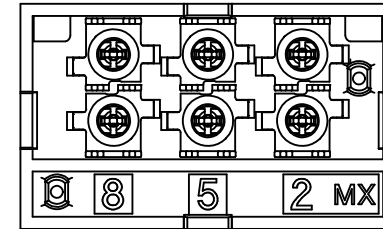
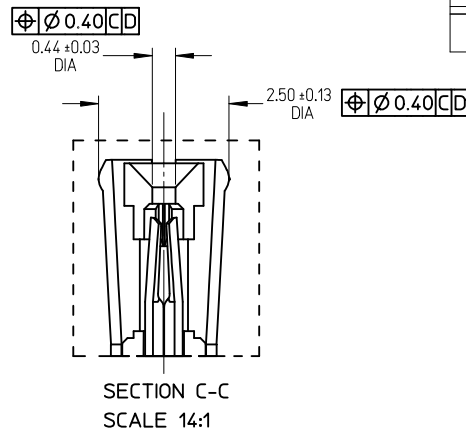
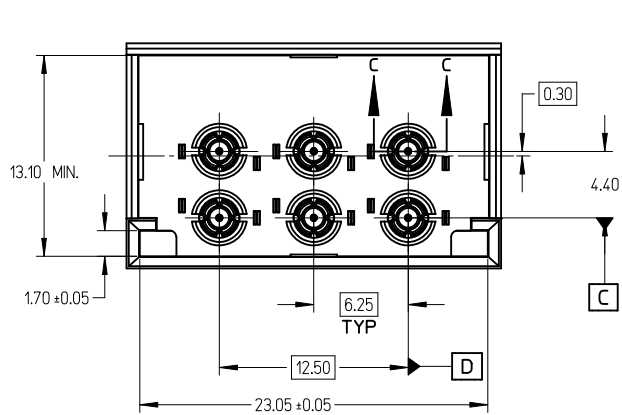
RECOMMENDED PCB LAYOUT  
FOR THE 10 POSITION CONNECTOR  
COMPONENT SIDE  
MAX. BOARD THICKNESS: 4.50



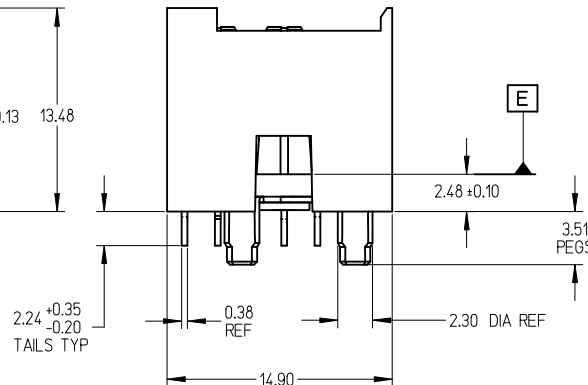
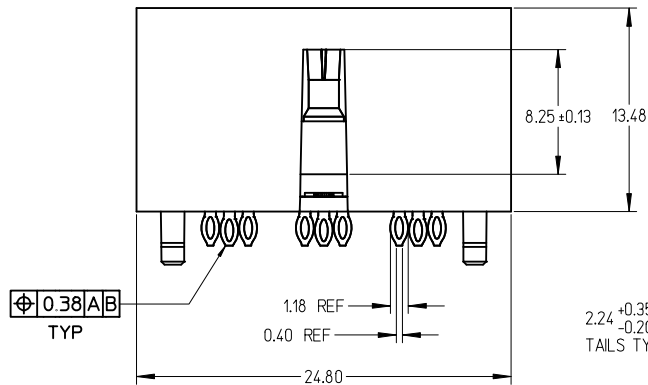
RECOMMENDED PCB LAYOUT  
FOR THE 6 POSITION CONNECTOR  
COMPONENT SIDE  
MAX. BOARD THICKNESS: 4.50

SEE SHEET 1 EC NO: UCP2011-2027 DRWN: JMENDOZA 2011/01/10 CHKD: JBINGHAM 2011/01/10 APPR: JBINGHAM 2011/01/11	QUALITY SYMBOLS	GENERAL TOLERANCES (UNLESS SPECIFIED)		SCALE 4:1	DESIGN UNITS METRIC	THIRD ANGLE PROJECTION	REVISE ON CAD ONLY
	▼ -0 ∇ C -0		mm	INCH	DIMENSION STYLE MM ONLY		TITLE
		4 PLACES	± ---	± ---	DRAWN BY SREED	DATE 2006/06/06	
		3 PLACES	± ---	± ---	CHECKED BY JBINGHAM	DATE 2006/06/06	
2 PLACES	± ---	± ---	APPROVED BY SREED		DATE 2006/06/06	DOCUMENT NO. SD-74712-002	
		1 PLACE	± ---	± ---	MATERIAL NO.		SHEET NO. 4 OF 5
		ANGULAR ± 2 °		DRAFT WHERE APPLICABLE MUST REMAIN WITHIN DIMENSIONS		THIS DRAWING CONTAINS INFORMATION THAT IS PROPRIETARY TO MOLEX INCORPORATED AND SHOULD NOT BE USED WITHOUT WRITTEN PERMISSION	

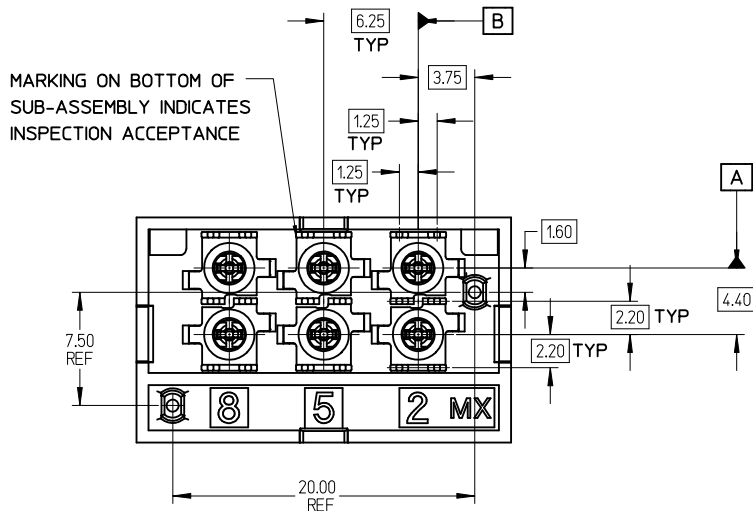
MATERIAL NO.	POSITION OF LOADED TERMINAL(S)	OPTIONAL PACKAGING HEADER	PACKAGING SPEC.
74712-5007	2, 5, 8	NO	PK-74712-101



MATL NO.: 74712-5007  
POSITIONS 2, 5 & 8 LOADED



6 POS. CONNECTOR SHOWN



NOTES:

- MATERIAL:  
HOUSING: GLASS FILLED THERMO PLASTIC, 94V-0  
INSULATOR: GLASS FILLED THERMO PLASTIC, 94V-0  
TERMINALS AND GROUND: TIN BRASS  
OUTER GROUND CONTACT: PHOSPHOR BRONZE
- PLATING:  
TERMINALS:  
SELECTIVE 0.76 MICRONS MIN. GOLD IN CONTACT AREA  
SELECTIVE 0.88 MICRONS MIN. TIN BOTH OVER  
1.27 MICRONS MIN. NICKEL UNDERPLATE  
GROUNDS:  
0.88 MICRONS MIN. TIN OVERALL OVER  
1.27 MICRONS MIN. NICKEL UNDERPLATE  
OUTER GROUND CONTACT:  
0.76 MICRONS MIN. GOLD OVERALL OVER  
1.27 MICRONS MIN. NICKEL UNDERPLATE
- REFER TO PRODUCT SPEC.: PS-74854-001 FOR ELECTRICAL, MECHANICAL AND ENVIRONMENTAL REQUIREMENTS.
- REFER TO PACKAGING SPEC STATED IN CHARTS FOR DETAILS OF THE PACKAGING REQUIREMENTS.
- DATE CODE MARKING TO BE LOCATED ANYWHERE ON PLASTIC HOUSING. FIRST TWO DIGITS = WEEK NUMBER. LAST TWO DIGITS = YEAR.

SEE SHEET 1 EC NO: UCP2011-2027 DRWN: JENDOZA 2011/01/10 CHKD: BINGHAM 2011/01/10 APPR: BINGHAM 2011/01/11	QUALITY SYMBOLS ▽=0 ▽=0	GENERAL TOLERANCES (UNLESS SPECIFIED)		DIMENSION STYLE <b>MM ONLY</b>	SCALE 4:1	DESIGN UNITS METRIC	THIRD ANGLE PROJECTION				
		4 PLACES ± --- ± ---	3 PLACES ± --- ± ---	2 PLACES ± --- ± ---	1 PLACE ± --- ± ---	DRAWN BY SREED	DATE 2006/06/06	CHECKED BY JB INGHAM	DATE 2006/06/06	APPROVED BY SREED	DATE 2006/06/06
ANGULAR ± 2 °		DRAFT WHERE APPLICABLE MUST REMAIN WITHIN DIMENSIONS		MATERIAL NO. <b>SEE CHART</b>	DOCUMENT NO. SD-74712-002	THIS DRAWING CONTAINS INFORMATION THAT IS PROPRIETARY TO MOLEX INCORPORATED AND SHOULD NOT BE USED WITHOUT WRITTEN PERMISSION					