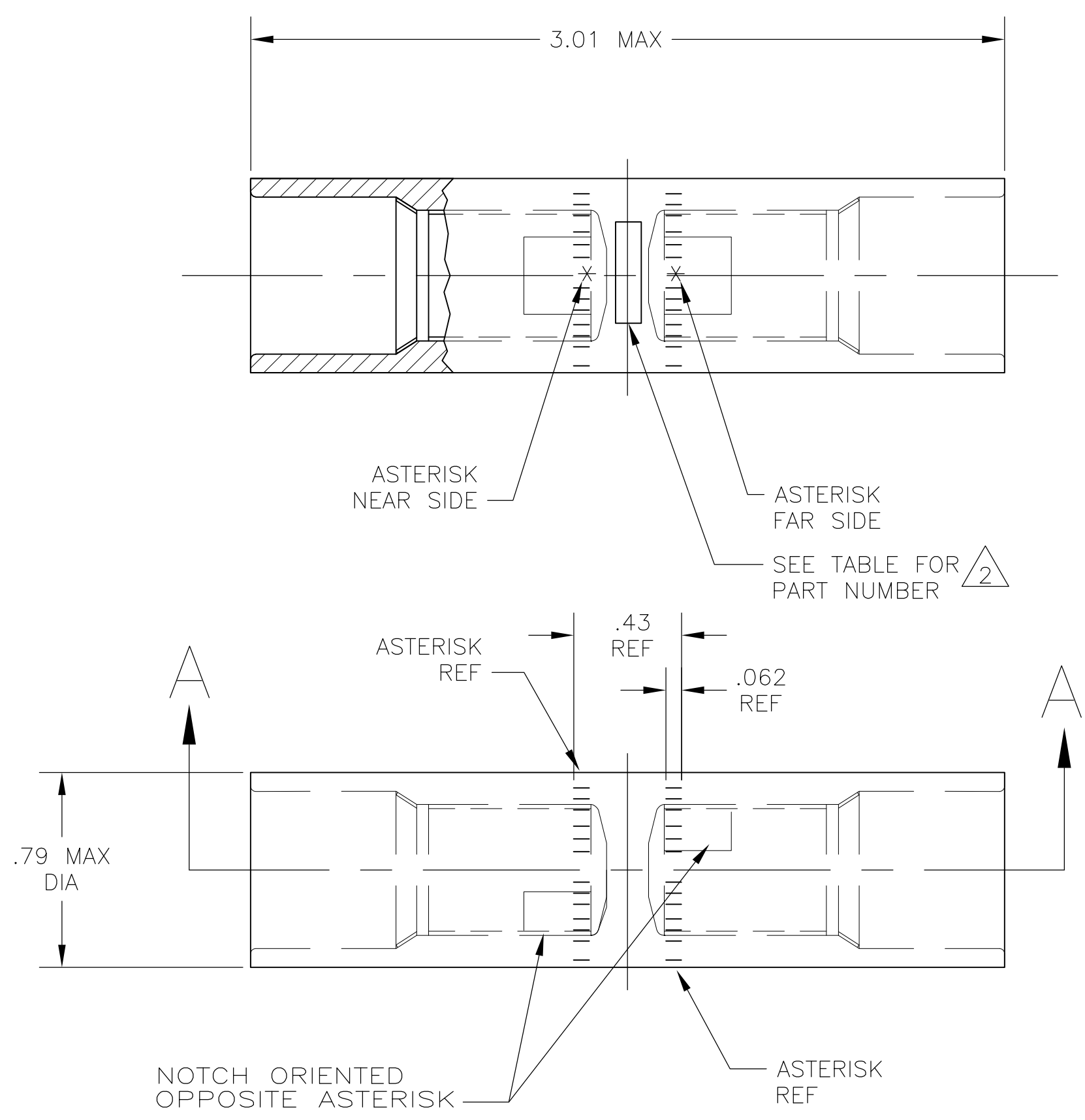
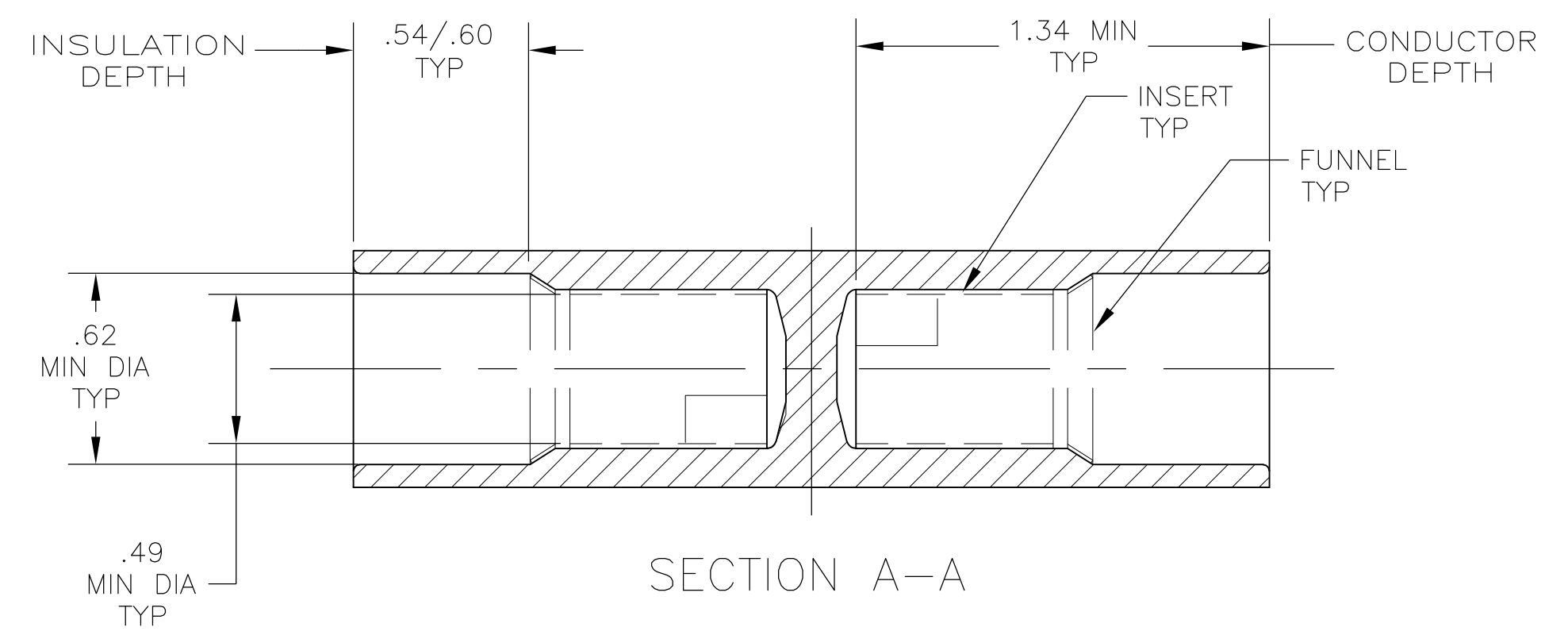


THIS DRAWING IS UNPUBLISHED. RELEASED FOR PUBLICATION
 © COPYRIGHT - By - ALL RIGHTS RESERVED.

LOC	DIST	REVISIONS			
P	LTR	DESCRIPTION	DATE	DWN	APVD
G	86	H	REVISED PER ECO-11-017193	12OCT11	PY BW



- 1 WIRE INSULATION: .501-.553 DIA
- 2 STAMP " 696861-x AMP 2/OAL-1/OCU 13-78" SIZE AND LOCATION APPROX AS SHOWN



BODY: COPPER ASTM B-187 TIN PL PER ASTM B-545 .000150 MIN THK	696861-1
INSERT & FUNNEL: BRASS ASTM B36 NICKEL PL SAE AMS QQ-N-290A, DATED JULY 2000, 0.00254 [.000100] MIN THK	
MATERIAL AND FINISH	PART NO

THIS DRAWING IS A CONTROLLED DOCUMENT.		DWN	JR RUTH	27OCT05	 TE Connectivity
DIMENSIONS: MM [INCHES]		CHK	MS FEHER	27OCT05	
TOLERANCES UNLESS OTHERWISE SPECIFIED:		APVD	MJ SPICER	27OCT05	
0 PLC ± - 1 PLC ± - 2 PLC ± .008 3 PLC ± - 4 PLC ± - ANGLES ± - FINISH SEE TABLE		PRODUCT SPEC	NAME		
MATERIAL SEE TABLE		APPLICATION SPEC	WIRE SPLICE, BUTT, SEALED COPALUM 2/O AL - 1/O CU		RESTRICTED TO
		WEIGHT	107 GRAMS	A2	00779
		CUSTOMER DRAWING	SCALE	2:1	SHEET 1 of 1
					REV H