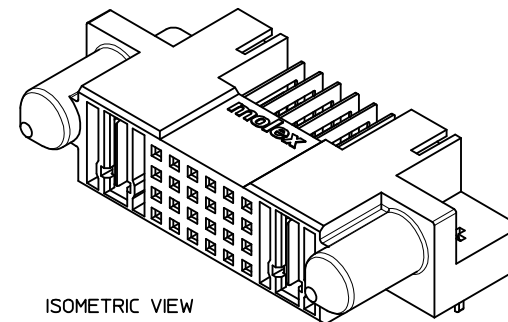
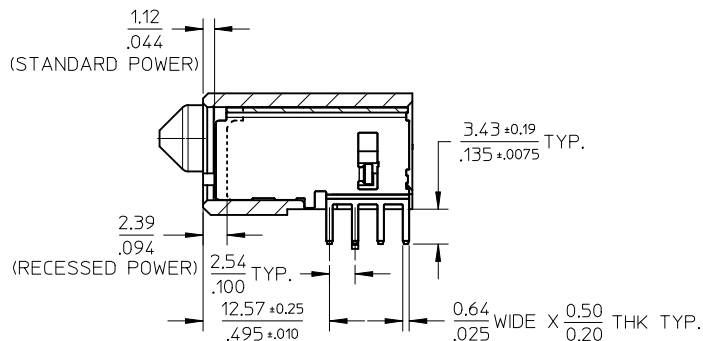
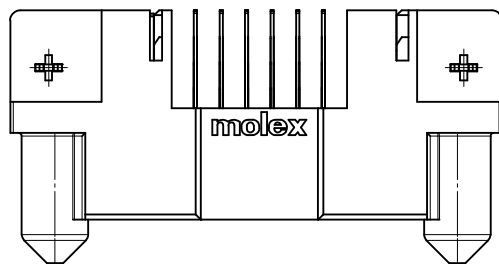
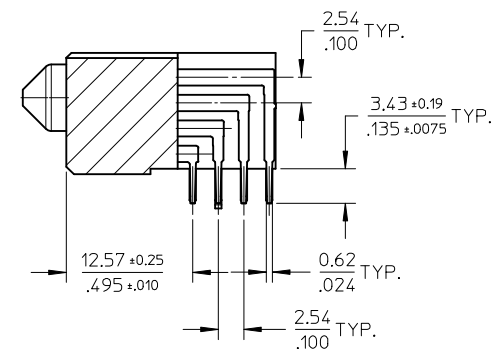
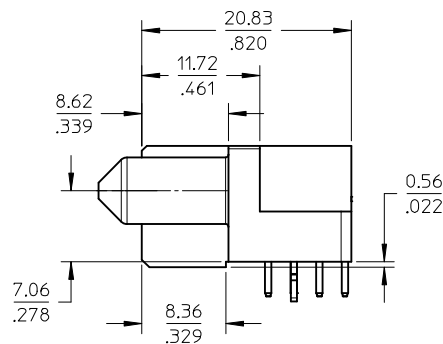
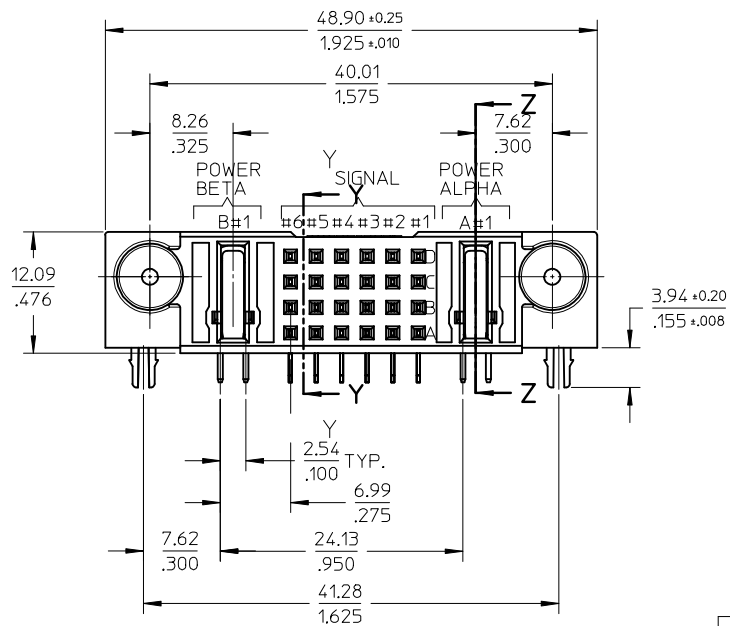


10 9 8 7 6 5 4 3 2 1



ISOMETRIC VIEW

SECTION Z-Z

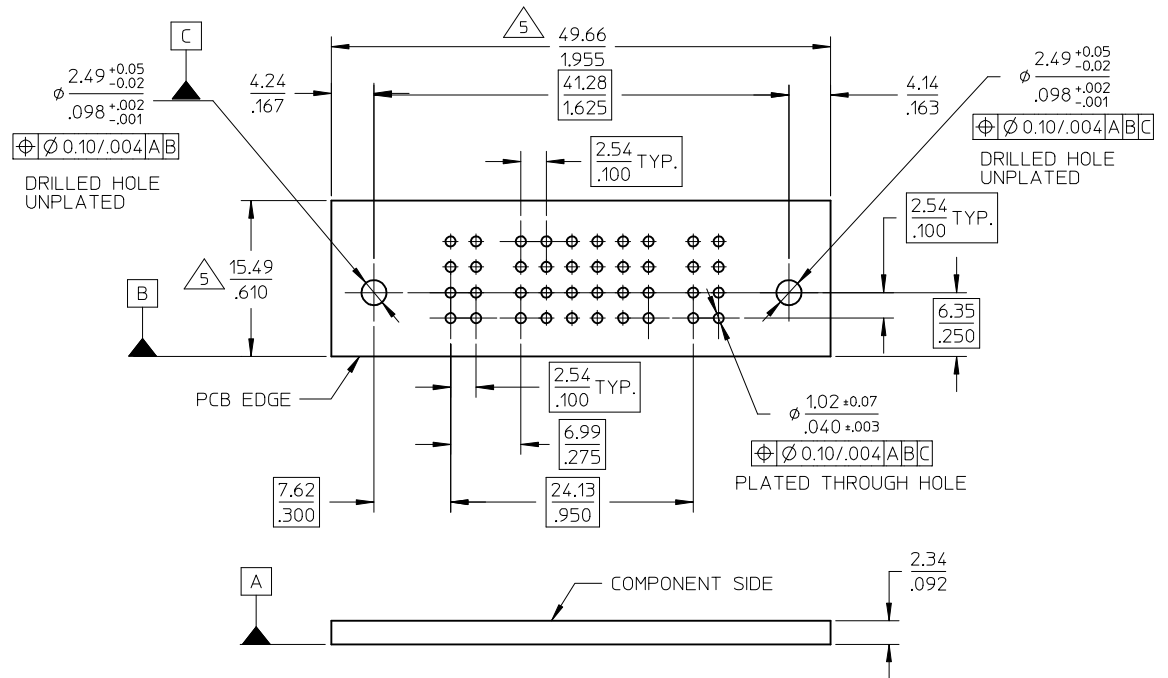


SECTION Y-Y

REVISED EC NO: S2014-0060 DRWN:SKANG 2013/07/16 CHKD:MLONG 2013/09/06 APPR:MLONG 2013/09/09	QUALITY SYMBOLS $\nabla_A = 0$ $\nabla_C = 0$ $\nabla_B = 0$	GENERAL TOLERANCES (UNLESS SPECIFIED) mm INCH 4 PLACES ± --- ± --- 3 PLACES ± --- ± .005 2 PLACES ± 0.13 ± .010 1 PLACE ± 0.25 ± --- 0 PLACE ± ±	DIMENSION STYLE MM/IN	SCALE NTS	DESIGN UNITS METRIC	THIRD ANGLE PROJECTION	
	DRAWN BY KMG0H	DATE 2002/12/03	TITLE ASSEMBLY, DPS PWR CONN. P-S-P CONFIG., RECEPT. R/A, T/H, BOARD-LOCK		DOCUMENT NO. SD-87607-014		SHEET NO. 1 OF 2
	CHECKED BY PTLIM	DATE 2002/12/05	MATERIAL NO. SEE TABLE		THIS DRAWING CONTAINS INFORMATION THAT IS PROPRIETARY TO MOLEX INCORPORATED AND SHOULD NOT BE USED WITHOUT WRITTEN PERMISSION		
	APPROVED BY SKTOH	DATE 2002/12/05	DRAFT WHERE APPLICABLE MUST REMAIN WITHIN DIMENSIONS				

9 8 7 6 5 4 3 2 1

10	9	8	7	6	5	4	3	2	1
PART NUMBER	STANDARD POWER BLADE LOCATION	RECESS POWER BLADE LOCATION	PART STATUS	PACKAGING					
87607-1001	A#1,B#1	NIL	TOOLED	TRAY					
87607-1021	A#1	B#1							



NOTES:

- MATERIALS : HOUSING - LCP, GLASS FILLED, UL94V-0, COLOR: BLACK
 POWER PINS - COPPER ALLOY
 SIGNAL PINS - COPPER ALLOY
 BOARD LOCK - COPPER ALLOY
- FINISHES: POWER AND SIGNAL PINS
 SELECTIVE GOLD IN THE CONTACT AREA
 THICKNESS = 0.76 MICROMETER / 30 MICROINCH MINIMUM
 SELECTIVE TIN ALLOY IN THE PCB TAIL AREA
 THICKNESS = 2.54 MICROMETER / 100 MICROINCH MINIMUM
 1.27um MINIMUM NICKEL OVERALL UNDERPLATE.
- PRODUCT SPECIFICATIONS : PS-87606-002
- SEE SHEET 2 FOR RECOMMENDED PCB LAYOUT AND THICKNESS
- COMPONENT STAY AWAY ZONE FROM CONNECTOR

REVISED EC NO: S2014-0060 DRW:SKANG 2013/07/16 CHKD:MLONG 2013/09/06 APPR:MLONG 2013/09/09	DESCRIPTION REV	QUALITY SYMBOLS $\sqrt{Ra} = 0$ $\sqrt{Ra} = 0$ $\sqrt{Ra} = 0$	GENERAL TOLERANCES (UNLESS SPECIFIED)		DIMENSION STYLE	SCALE	DESIGN UNITS	THIRD ANGLE PROJECTION		
			mm	INCH	MM/IN	NTS	METRIC			
			4 PLACES ± --- ± ---	3 PLACES ± --- ± .005	DRAWN BY: KMG0H	DATE: 2002/12/03	TITLE: ASSEMBLY, DPS PWR CONN. P-S-P CONFIG., RECEPT. R/A, T/H, BOARD-LOCK			
			2 PLACES ± 0.13 ± .010	1 PLACE ± 0.25 ± ---	CHECKED BY: PTL IM	DATE: 2002/12/05				
0 PLACE ± ±	ANGULAR ± 3°	APPROVED BY: SKTOH	DATE: 2002/12/05							
DRAFT WHERE APPLICABLE MUST REMAIN WITHIN DIMENSIONS		MATERIAL NO.		SEE TABLE		DOCUMENT NO. SD-87607-014		SHEET NO. 2 OF 2		
THIS DRAWING CONTAINS INFORMATION THAT IS PROPRIETARY TO MOLEX INCORPORATED AND SHOULD NOT BE USED WITHOUT WRITTEN PERMISSION										