

CTSLF0628TF Series

From 4.7 μ H to 100 μ H



CHARACTERISTICS

- Description:** SMD (shielded) power inductor
- Applications:** For power source circuits, low profile type DC to DC converters, DC to AC inverters etc.
- Operating Temperature:** -40°C to +85°C
- Inductance Tolerance:** $\pm 20\%$
- Testing:** Inductance is tested on a HP4284A at 1.0kHz
- Rated DC Current:** Value obtained when DC current flows and the initial value of inductance has fallen by 30%
- Itemp Current:** Value obtained when current flows and the temperature has risen to 25°C
- Packaging:** Tape & Reel
- Marking:** Parts are marked with inductance code
- Miscellaneous:** Magnetically shielded. **RoHS Compliant available**
- Additional Information:** Additional electrical & physical information available upon request
- Samples available. See website for ordering information.**

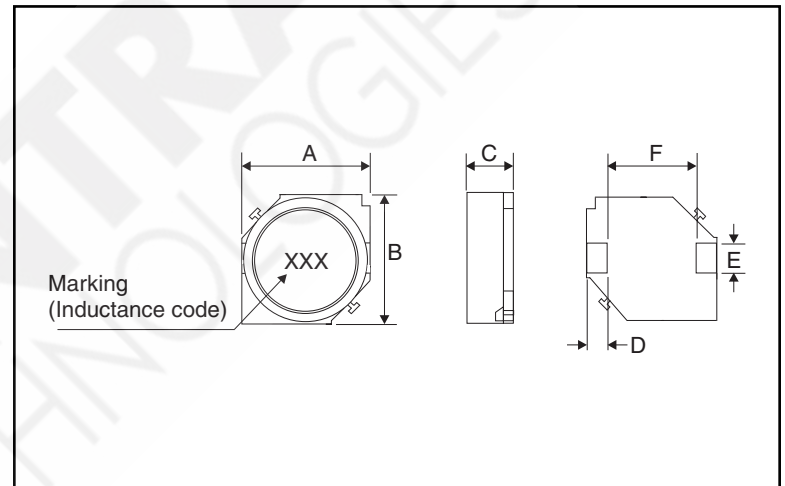
SPECIFICATIONS

Parts are available in $\pm 20\%$ tolerance only.

Part Number	Inductance (μ H)	L Test Freq. (kHz)	DCR $\pm 20\%$ (Ω)	Rated DC (A)	Itemp. Max. (A)
CTSLF0628TF-4R7M	4.7	1.0	0.0284	1.6	2.5
CTSLF0628TF-6R8M	6.8	1.0	0.0354	1.5	2.2
CTSLF0628TF-100M	10	1.0	0.0532	1.3	1.8
CTSLF0628TF-150M	15	1.0	0.0745	1.0	1.4
CTSLF0628TF-220M	22	1.0	0.104	0.77	1.3
CTSLF0628TF-330M	33	1.0	0.148	0.69	1.1
CTSLF0628TF-470M	47	1.0	0.21	0.59	0.92
CTSLF0628TF-680M	68	1.0	0.29	0.50	0.78
CTSLF0628TF-101M	100	1.0	0.43	0.42	0.64

PHYSICAL DIMENSIONS

Size	A	B	C	D Typ.	E	F Typ.
mm	6.0 \pm 0.2	6.0 \pm 0.2	2.8 \pm 0.2	1.5	2.0 \pm 0.1	3.0
inches	0.24 \pm 0.008	0.24 \pm 0.008	0.11 \pm 0.008	0.059	0.08 \pm 0.004	0.118



PAD LAYOUT

