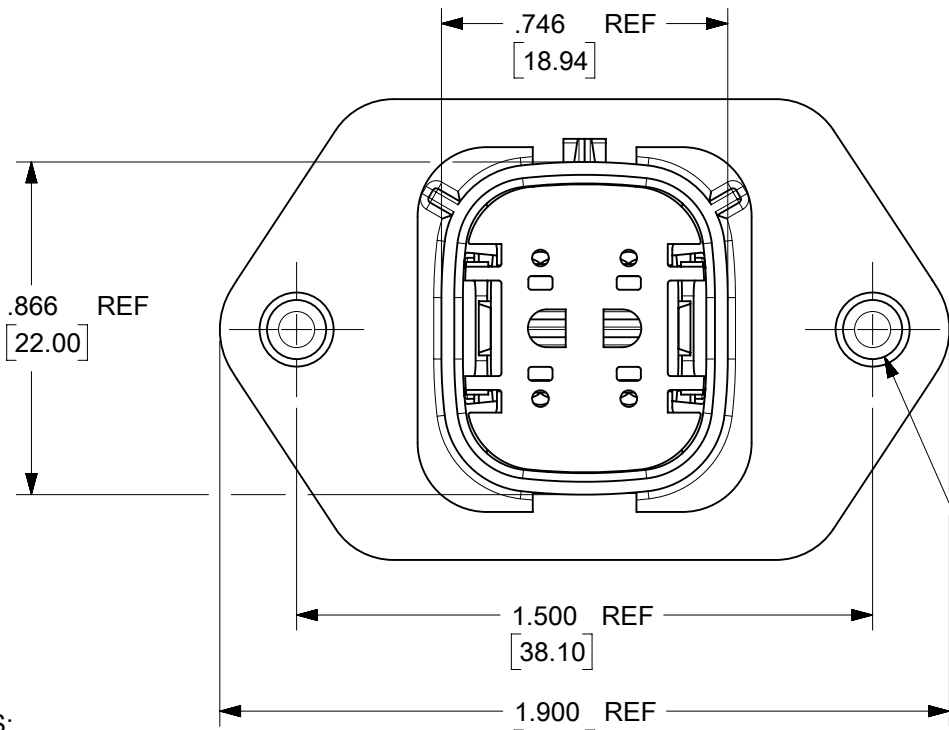
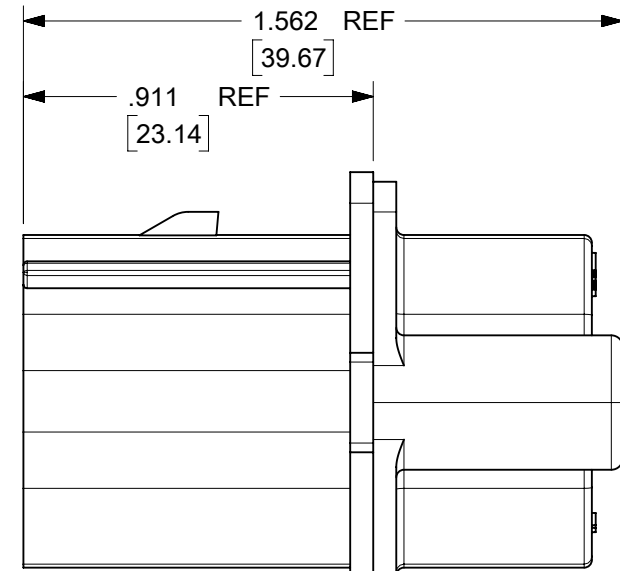


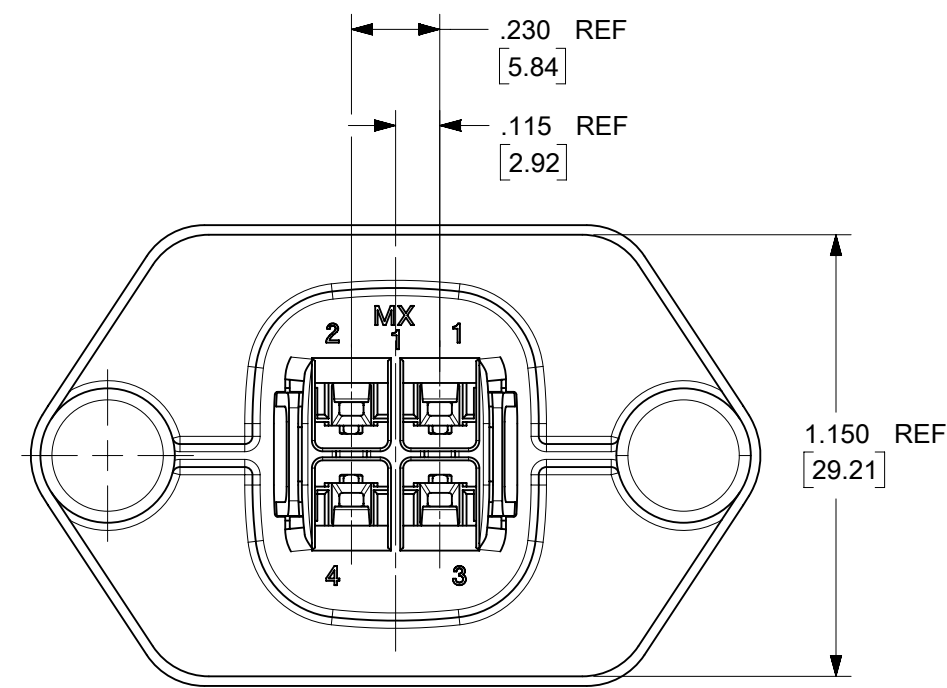
SCALE 1:1

RECOMMENDED PANEL MOUNT OPENING
MAX PANEL THK .080/2.03



2X Ø .154 X .030 X 45° CHAMFER [3.91] REF

GASKET 194270024



- NOTES:
- MATERIALS: (D)
HOUSING: SYNDIOTACTIC POLYSTYRENE (SPS), GLASS FILLED, UL94 V-0, COLOR: BLACK
GASKET: EPDM RUBBER
 - PRODUCT SPECIFICATION: PS-19417-001.
 - PACKAGING SPECIFICATION: PK-19429-001.
GASKETS, IF REQUIRED FOR THE ASSEMBLIES, ARE BULK PACKAGED IN A SEPARATE BAG.
 - MATES WITH: 19418 SERIES RECEPTACLE ASSEMBLIES.
 - USE CONNECTOR WITH MALE CRIMP TERMINAL: SERIES 19417.
 - RECOMMENDED MOUNTING HARDWARE: (2)#10 X .62/15.8 LONG PLASTIC THREAD CUTTING SCREWS. RECOMMENDED TORQUE 15-17 IN-LBS.
SUGGESTED SOURCE: ITW SHAKEPROOF INDUSTRIAL BOSSCREW OR EQUIVALENT.
 - ASSEMBLY IS ROHS COMPLIANT.

194290035	YES
194290009	NO
MATERIAL NUMBER	GASKET

FUNCTIONAL SYMBOLS		THIS DRAWING CONTAINS INFORMATION THAT IS PROPRIETARY TO MOLEX ELECTRONIC TECHNOLOGIES, LLC AND SHOULD NOT BE USED WITHOUT WRITTEN PERMISSION		CURRENT REV DESC: REDRAWN IN NX & HSG MATERIAL UPDATED	
FA = 0	in/[mm]	SCALE	2:1	EC NO: 690910	
FE = 0	GENERAL TOLERANCES (UNLESS SPECIFIED)			DRWN: RMV02	2021/12/20
FD = 0		MM	INCH	CHK'D: DMYRICK	2022/01/05
DIVISIONAL SYMBOLS		4 PLACES	±	APPR: JMACNEIL	2022/01/06
		3 PLACES	±	INITIAL REVISION:	
		2 PLACES	± 0.38	DRWN: DMYRICK	03/10/30
		1 PLACE	±	APPR: DTITUS	2010/10/18
		0 PLACES	±	ANGULAR TOL ± 1.0°	
DRAFT WHERE APPLICABLE MUST REMAIN WITHIN DIMENSIONS		THIRD ANGLE PROJECTION	DRAWING	SERIES	MATERIAL NUMBER
			B-SIZE	19429	SEE CHART
				CUSTOMER	SHEET NUMBER
				GENERAL MARKET	1 OF 1

molex

4 WAY PLUG PANEL MOUNT ASSEMBLY 22-14 AWG

DOCUMENT STATUS	P1	RELEASE DATE	2022/01/06	14:54:28
-----------------	----	--------------	------------	----------