

6

5

4

3

2

1

D

C

B

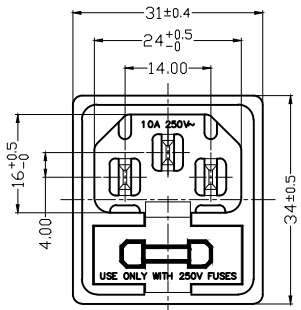
A

D

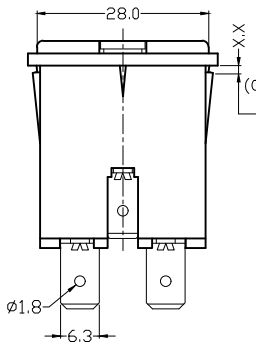
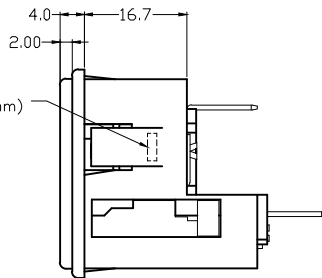
C

B

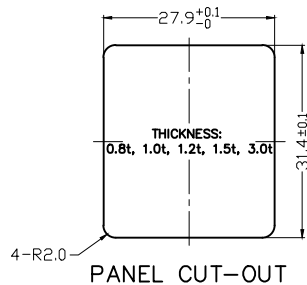
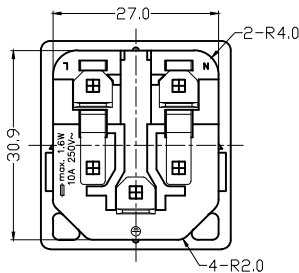
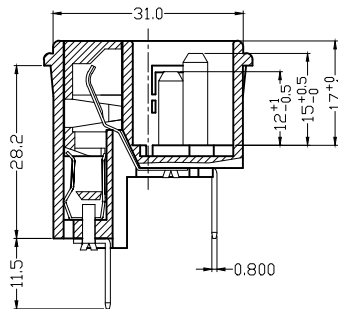
A



Panel Thickness Option  
(0.8, 1.0, 1.2, 1.5, 2.0, 3.0 mm)



Panel Thickness Option  
(0.8, 1.0, 1.2, 1.5, 2.0, 3.0 mm)



### SPECIFICATION

- A: MATERIAL:**  
 1. HOUSING: NYLON 66 FLAMMABILITY, UL 94V-0  
 2. TERMINAL: COPPER ALLOY, TIN PLATED
- B: CHARACTERISTICS:**  
 1. RATING: 10A 250V~ NORTH AMERICA & EUROPE  
 2. INSULATION RESISTANCE: 100 MΩ MIN, AT 500 VDC  
 3. ELECTRIC STRENGTH: AC 2,000 V FOR 1 MINUTE

**C: APPROVALS:**

**D: ORDERING INFORMATION:**

P/N	PANEL THICKNESS
42R35A-3152-080	0.8 mm
42R35A-3152-100	1.0 mm
42R35A-3152-120	1.2 mm
42R35A-3152-150	1.5 mm
42R35A-3152-200	2.0 mm
42R35A-3152-300	3.0 mm

RoHS  
COMPLIANT

REV	DATE	CHANGE	CHK	CHK	APPR

TOLERANCE UNLESS OTHERWISE SPECIFIED	
X	± 1
X.X	± 0.4
X.XX	± 0.20

**Power Dynamics, Inc.**  
 Phone: 973 560-0019 Whippany, New Jersey Fax: 973 560-0076  
 PART: IEC 60320 C14 APPLIANCE INLET; 2 FUSE  
 SNAP IN PANEL MOUNT; 6.3mm QC TERMINALS

DRAWN BY	PB	DATE:	9/15/21
CHECK BY	-	DATE:	-
APPR BY	-	DATE:	-

PART #: <b>42R35A-3152-XXX</b>		SHEET	1 of 1
SIZE: A	ALL DIMENSIONS FOR REFERENCE ONLY		-
SCALE: NTS	REF MODEL: 0717-2	REV:	-

6

5

4

3

2

1